



IBM Mobile Systems
ThinkPad Computer
Hardware Maintenance Manual

June 2001

This manual supports:
ThinkPad A21e, A22e, i 1800
(MT 2655/2663/2664)

Note

Before using this information and the product it supports, be sure to read the general information under “Notices” on page 137.

Second Edition (June 2001)

The following paragraph does not apply to the United Kingdom or any country where such provisions are inconsistent with local law:

INTERNATIONAL BUSINESS MACHINES CORPORATION PROVIDES THIS PUBLICATION “AS IS” WITHOUT ANY WARRANTY OF ANY KIND, EITHER EXPRESS OR IMPLIED, INCLUDING, BUT NOT LIMITED TO, THE LIMITED WARRANTIES OF MERCHANTABILITY OR FITNESS FOR A PARTICULAR PURPOSE. Some states do not allow disclaimer or express or implied warranties in certain transactions; therefore, this statement may not apply to you.

This publication could include technical inaccuracies or typographical errors. Changes are periodically made to the information herein; these changes will be incorporated in new editions of the publication. IBM may make improvements or changes to the products or the programs described in this publication at any time.

It is possible that this publication may contain references to, or information about, IBM products (machines and programs), programming, or services that are not announced in your country. Such references or information must not be construed to mean that IBM intends to announce such IBM products, programming, or services in your country.

Requests for technical information about IBM products should be made to your IBM authorized dealer or your IBM marketing representative.

© **Copyright International Business Machines Corporation 2001. All rights reserved.** Note to U.S. Government Users – Documentation related to restricted rights – Use, duplication, or disclosure is subject to restrictions set forth in GSA ADP Schedule Contract with IBM Corp.

© Copyright IBM Corp. 2001

Contents

Introduction	1
Important service information	1
Strategy for replacing FRUs	1
How to use error messages	2
Diskette compatibility matrix	2
Safety notices: multilingual translations	3
Safety information	13
General safety	13
Electrical safety	14
Safety inspection guide	15
Handling electrostatic discharge-sensitive devices	16
Grounding requirements	17
Laser compliance statement	17
General descriptions	21
Read this first	21
What to do first:	21
Related service information	23
Service Web site	23
Product recovery program	23
Passwords	25
Power management	28
Checkout guide	31
Testing the computer	31
Detecting system information with PC-Doctor	33
Power system checkout	34
ThinkPad A21e, A22e, i 1800	37
Product overview	39
Specifications	39
Status indicators	41
FRU Tests	43
Fn key combinations	44
Symptom-to-FRU index	46
Numeric error codes	46
Error messages	49
Beep symptoms	50
No beep symptoms	50
LCD-related symptoms	51
Intermittent problems	52
Undetermined problems	52
FRU replacement notices	53
Screw notices	53
Retaining serial numbers	54
Removing and replacing a FRU	56
1010 Battery pack	57
1020 Backup battery	58
1030 Hard-disk drive	60
1040 DIMM	62
1050 Mini PCI adapter	63

1060 Ultrabay 2000 device	66
1070 Keyboard	67
1080 Keyboard CRU insulator	72
1090 Fan assembly	73
1100 CPU	77
1110 PC Card slot assembly	79
1120 Hinge cover	81
1130 Keyboard bezel	83
1140 Speaker	86
1150 Hard-disk bay	89
1160 LED connector card	91
1170 Ultrabay 2000 slot	93
1180 System board	96
2010 LCD assembly	98
2020 Front bezel.	104
2030 Inverter card	106
2040 LCD panel	108
2050 Sub card	113
Locations	115
Front view.	115
Rear view	116
Bottom view	117
Parts list	118
A21e, A22e and i 1800 model matrix	118
Overall	121
LCD FRUs	125
Keyboard	128
Recovery CDs for i 1800 series	129
Recovery CDs for A22e series.	129
Miscellaneous parts	131
Optional FRUs	135
Common parts list	136
Notices	137
Trademarks	137

Introduction

Important service information

Important

BIOS and device driver fixes are customer-installable. The BIOS and device drivers are posted on the IBM support site <http://www.pc.ibm.com/support/>

Advise customers to contact the PC Company HelpCenter at 800-772-2227 if they need assistance in obtaining or installing any diskette fixes.

Customers in Canada should call IBM HelpPC at 800-565-3344 for assistance or download information.

Strategy for replacing FRUs

Before replacing parts

Make sure that all diskette fixes are installed before replacing any FRUs listed in this manual.

Use the following strategy to prevent unnecessary FRU replacement and service expense:

- **If you are instructed to replace a FRU but the replacement does not correct the problem, reinstall the original FRU before you continue.**
- Some computers have both a processor board and a system board. If you are instructed to replace either the processor board or the system board, and replacing one of them does not correct the problem, reinstall that board, and then replace the other one.
- If an adapter or device consists of more than one FRU, any of the FRUs may be the cause of the error. Before replacing the adapter or device, remove the FRUs, one by one, to see if the symptoms change. Replace only the FRU that changed the symptoms.

Attention

The setup configuration on the computer you are servicing may have been customized. Running Automatic Configuration may alter the settings. Note the current configuration settings (using the View Configuration option); then, when service has been completed, verify that those settings remain in effect.

Strategy for replacing a hard-disk drive

Always try to run a low-level format before replacing a hard-disk drive.

Attention

The drive startup sequence in the computer you are servicing may have been changed. Be extremely careful during write operations such as copying, saving, or formatting. If you select an incorrect drive, data or programs can be overwritten.

How to use error messages

Use the error codes displayed on the screen to diagnose failures. If more than one error code is displayed, begin the diagnosis with the first error code. Whatever causes the first error code may also cause false error codes. If no error code is displayed, see if the error symptom is listed in the Symptom-to-FRU Index for the computer you are servicing.

Diskette compatibility matrix

The compatibility of each of the drives with the diskettes for it is as follows:

Diskette drive	Diskette capacity	Compatibility
3.5-inch	1.0 MB	Read and write
	2.0 MB	Read and write
	4.0 MB	Not compatible

Safety notices: multilingual translations

The safety notices are provided in English, French, German, Italian, and Spanish, as follows:

Safety notice 1

Before the computer is powered-on after FRU replacement, make sure all screws, springs, and other small parts are in place and are not left loose inside the computer. Verify this by shaking the computer and listening for rattling sounds. Metallic parts or metal flakes can cause electrical shorts.

Avant de remettre l'ordinateur sous tension après remplacement d'une unité en clientèle, vérifiez que tous les ressorts, vis et autres pièces sont bien en place et bien fixées. Pour ce faire, secouez l'unité et assurez-vous qu'aucun bruit suspect ne se produit. Des pièces métalliques ou des copeaux de métal pourraient causer un court-circuit.

Bevor nach einem FRU-Austausch der Computer wieder angeschlossen wird, muß sichergestellt werden, daß keine Schrauben, Federn oder andere Kleinteile fehlen oder im Gehäuse vergessen wurden. Der Computer muß geschüttelt und auf Klappergeräusche geprüft werden. Metallteile oder-splinter können Kurzschlüsse erzeugen.

Prima di accendere l'elaboratore dopo che é stata effettuata la sostituzione di una FRU, accertarsi che tutte le viti, le molle e tutte le altri parti di piccole dimensioni siano nella corretta posizione e non siano sparse all'interno dell'elaboratore. Verificare ci ÚÚ scuotendo l'elaboratore e prestando attenzione ad eventuali rumori; eventuali parti o pezzetti metallici possono provocare cortocircuiti pericolosi.

Antes de encender el sistema despues de sustituir una FRU, compruebe que todos los tornillos, muelles y demás piezas pequeñas se encuentran en su sitio y no se encuentran sueltas dentro del sistema. Compruébelo agitando el sistema y escuchando los posibles ruidos que provocarían. Las piezas metálicas pueden causar cortocircuitos eléctricos.

Safety notice 2 **DANGER:**

Some standby batteries contain a small amount of nickel and cadmium. Do not disassemble a standby battery, recharge it, throw it into fire or water, or short-circuit it. Dispose of the battery as required by local ordinances or regulations. Use only the battery in the appropriate parts listing. Use of an incorrect battery can result in ignition or explosion of the battery.

Certaines batteries de secours contiennent du nickel et du cadmium. Ne les démontez pas, ne les rechargez pas, ne les exposez ni au feu ni à l'eau. Ne les mettez pas en court-circuit. Pour les mettre au rebut, conformez-vous à la réglementation en vigueur. Lorsque vous remplacez la pile de sauvegarde ou celle de l'horloge temps réel, veillez à n'utiliser que les modèles cités dans la liste de pièces détachées adéquate. Une batterie ou une pile inappropriée risque de prendre feu ou d'exploser.

Die Bereitschaftsbatterie, die sich unter dem Diskettenlaufwerk befindet, kann geringe Mengen Nickel und Cadmium enthalten. Sie darf nur durch die Verkaufsstelle oder den IBM Kundendienst ausgetauscht werden. Sie darf nicht zerlegt, wiederaufgeladen, kurzgeschlossen, oder Feuer oder Wasser ausgesetzt werden. Die Batterie kann schwere Verbrennungen oder Verätzungen verursachen. Bei der Entsorgung die örtlichen Bestimmungen für Sondermüll beachten. Beim Ersetzen der Bereitschafts- oder Systembatterie nur Batterien des Typs verwenden, der in der Ersatzteilliste aufgeführt ist. Der Einsatz falscher Batterien kann zu Entzündung oder Explosion führen.

(continued)

Continuation of Safety notice 2** DANGER:**

Alcune batterie di riserva contengono una piccola quantità di nichel e cadmio. Non smontarle, ricaricarle, gettarle nel fuoco o nell'acqua né cortocircuitarle. Smaltirle secondo la normativa in vigore (DPR 915/82, successive disposizioni e disposizioni locali). Quando si sostituisce la batteria dell'RTC (real time clock) o la batteria di supporto, utilizzare soltanto i tipi inseriti nell'appropriato Catalogo parti. L'impiego di una batteria non adatta potrebbe determinare l'incendio o l'esplosione della batteria stessa.

Algunas baterías de reserva contienen una pequeña cantidad de níquel y cadmio. No las desmonte, ni recargue, ni las eche al fuego o al agua ni las cortocircuite. Deséchelas tal como dispone la normativa local. Utilice sólo baterías que se encuentren en la lista de piezas. La utilización de una batería no apropiada puede provocar la ignición o explosión de la misma.

Safety notice 3 **DANGER:**

The battery pack contains small amounts of nickel. Do not disassemble it, throw it into fire or water, or short-circuit it. Dispose of the battery pack as required by local ordinances or regulations. Use only the battery in the appropriate parts listing when replacing the battery pack. Use of an incorrect battery can result in ignition or explosion of the battery.

La batterie contient du nickel. Ne la démontez pas, ne l'exposez ni au feu ni à l'eau. Ne la mettez pas en court-circuit. Pour la mettre au rebut, conformez-vous à la réglementation en vigueur. Lorsque vous remplacez la batterie, veillez à n'utiliser que les modèles cités dans la liste de pièces détachées adéquate. En effet, une batterie inappropriée risque de prendre feu ou d'exploser.

Akkus enthalten geringe Mengen von Nickel. Sie dürfen nicht zerlegt, wiederaufgeladen, kurzgeschlossen, oder Feuer oder Wasser ausgesetzt werden. Bei der Entsorgung die örtlichen Bestimmungen für Sondermüll beachten. Beim Ersetzen der Batterie nur Batterien des Typs verwenden, der in der Ersatzteilliste aufgeführt ist. Der Einsatz falscher Batterien kann zu Entzündung oder Explosion führen.

La batteria contiene piccole quantità di nichel. Non smontarla, gettarla nel fuoco o nell'acqua né cortocircuitarla. Smaltirla secondo la normativa in vigore (DPR 915/82, successive disposizioni e disposizioni locali). Quando si sostituisce la batteria, utilizzare soltanto i tipi inseriti nell'appropriato Catalogo parti. L'impiego di una batteria non adatta potrebbe determinare l'incendio o l'esplosione della batteria stessa.

Las baterías contienen pequeñas cantidades de níquel. No las desmonte, ni recargue, ni las eche al fuego o al agua ni las cortocircuite. Deséchelas tal como dispone la normativa local. Utilice sólo baterías que se encuentren en la lista de piezas al sustituir la batería. La utilización de una batería no apropiada puede provocar la ignición o explosión de la misma.

Safety notice 4** DANGER:**

The lithium battery can cause a fire, an explosion, or a severe burn. Do not recharge it, remove its polarized connector, disassemble it, heat it above 100°C (212°F), incinerate it, or expose its cell contents to water. Dispose of the battery as required by local ordinances or regulations. Use only the battery in the appropriate parts listing. Use of an incorrect battery can result in ignition or explosion of the battery.

La pile de sauvegarde contient du lithium. Elle présente des risques d'incendie, d'explosion ou de brûlures graves. Ne la rechargez pas, ne retirez pas son connecteur polarisé et ne la démontez pas. Ne l'exposez pas à une température supérieure à 100°C, ne la faites pas brûler et n'en exposez pas le contenu à l'eau. Mettez la pile au rebut conformément à la réglementation en vigueur. Une pile inappropriée risque de prendre feu ou d'exploser.

Die Systematterie ist eine Lithiumatterie. Sie kann sich entzünden, explodieren oder schwere Verbrennungen hervorrufen. Batterien dieses Typs dürfen nicht aufgeladen, zerlegt, über 100 C erhitzt oder verbrannt werden. Auch darf ihr Inhalt nicht mit Wasser in Verbindung gebracht oder der zur richtigen Polung angebrachte Verbindungsstecker entfernt werden. Bei der Entsorgung die örtlichen Bestimmungen für Sondermüll beachten. Beim Ersetzen der Batterie nur Batterien des Typs verwenden, der in der Ersatzteilliste aufgeführt ist. Der Einsatz falscher Batterien kann zu Entzündung oder Explosion führen.

(continued)

Continuation of Safety notice 4** DANGER:**

La batteria di supporto e una batteria al litio e può incendiarsi, esplodere o procurare gravi ustioni. Evitare di ricaricarla, smontarne il connettore polarizzato, smontarla, riscaldarla ad una temperatura superiore ai 100 gradi centigradi, incendiarla o gettarla in acqua. Smaltirla secondo la normativa in vigore (DPR 915/82, successive disposizioni e disposizioni locali). L'impiego di una batteria non adatta potrebbe determinare l'incendio o l'esplosione della batteria stessa.

La batería de repuesto es una batería de litio y puede provocar incendios, explosiones o quemaduras graves. No la recargue, ni quite el conector polarizado, ni la desmonte, ni caliente por encima de los 100°C (212°F), ni la incinere ni exponga el contenido de sus celdas al agua. Deséchela tal como dispone la normativa local.

Safety notice 5

If the LCD breaks and the fluid from inside the LCD gets into your eyes or on your hands, immediately wash the affected areas with water for at least 15 minutes. Seek medical care if any symptoms from the fluid are present after washing.

Si le panneau d'affichage à cristaux liquides se brise et que vous recevez dans les yeux ou sur les mains une partie du fluide, rincez-les abondamment pendant au moins quinze minutes. Consultez un médecin si des symptômes persistent après le lavage.

Die Leuchtstoffröhre im LCD-Bildschirm enthält Quecksilber. Bei der Entsorgung die örtlichen Bestimmungen für Sondermüll beachten. Der LCD-Bildschirm besteht aus Glas und kann zerbrechen, wenn er unsachgemäß behandelt wird oder der Computer auf den Boden fällt. Wenn der Bildschirm beschädigt ist und die darin befindliche Flüssigkeit in Kontakt mit Haut und Augen gerät, sollten die betroffenen Stellen mindestens 15 Minuten mit Wasser abgespült und bei Beschwerden anschließend ein Arzt aufgesucht werden.

Nel caso che caso l'LCD si dovesse rompere ed il liquido in esso contenuto entrasse in contatto con gli occhi o le mani, lavare immediatamente le parti interessate con acqua corrente per almeno 15 minuti; poi consultare un medico se i sintomi dovessero permanere.

Si la LCD se rompe y el fluido de su interior entra en contacto con sus ojos o sus manos, lave inmediatamente las áreas afectadas con agua durante 15 minutos como mínimo. Obtenga atención medica si se presenta algún síntoma del fluido despues de lavarse.

Safety notice 6

 **DANGER:**

To avoid shock, do not remove the plastic cover that protects the lower part of the inverter card.

Afin d'éviter tout risque de choc électrique, ne retirez pas le cache en plastique protégeant la partie inférieure de la carte d'alimentation.

Aus Sicherheitsgründen die Kunststoffabdeckung, die den unteren Teil der Spannungswandlerplatine umgibt, nicht entfernen.

Per evitare scosse elettriche, non rimuovere la copertura in plastica che avvolge la parte inferiore della scheda invertitore.

Para evitar descargas, no quite la cubierta de plástico que rodea la parte baja de la tarjeta invertida.

Safety notice 7 **DANGER:**

Though the main batteries have low voltage, a shorted or grounded battery can produce enough current to burn personnel or combustible materials.

Bien que le voltage des batteries principales soit peu élevé, le court-circuit ou la mise à la masse d'une batterie peut produire suffisamment de courant pour brûler des matériaux combustibles ou causer des brûlures corporelles graves.

Obwohl Hauptbatterien eine niedrige Spannung haben, können sie doch bei Kurzschluß oder Erdung genug Strom abgeben, um brennbare Materialien zu entzünden oder Verletzungen bei Personen hervorzurufen.

Sebbene le batterie di alimentazione siano a basso voltaggio, una batteria in corto circuito o a massa può fornire corrente sufficiente da bruciare materiali combustibili o provocare ustioni ai tecnici di manutenzione.

Aunque las baterías principales tienen un voltaje bajo, una batería cortocircuitada o con contacto a tierra puede producir la corriente suficiente como para quemar material combustible o provocar quemaduras en el personal.

Safety notice 8 **DANGER:**

Before removing any FRU, power off the computer, unplug all power cords from electrical outlets, remove the battery pack, and then disconnect any interconnecting cables.

Avant de retirer une unité remplaçable en clientèle, mettez le système hors tension, débranchez tous les cordons d'alimentation des socles de prise de courant, retirez la batterie et déconnectez tous les cordons d'interface.

Die Stromzufuhr muß abgeschaltet, alle Stromkabel aus der Steckdose gezogen, der Akku entfernt und alle Verbindungskabel abgenommen sein, bevor eine FRU entfernt wird.

Prima di rimuovere qualsiasi FRU, spegnere il sistema, scollegare dalle prese elettriche tutti i cavi di alimentazione, rimuovere la batteria e poi scollegare i cavi di interconnessione.

Antes de quitar una FRU, apague el sistema, desenchufe todos los cables de las tomas de corriente eléctrica, quite la batería y, a continuación, desconecte cualquier cable de conexión entre dispositivos.

Safety information

The following section contains the safety information that you need to be familiar with before servicing an IBM mobile computer.

General safety

Follow these rules to ensure general safety:

- Observe good housekeeping in the area of the machines during and after maintenance.
- When lifting any heavy object:
 1. Ensure you can stand safely without slipping.
 2. Distribute the weight of the object equally between your feet.
 3. Use a slow lifting force. Never move suddenly or twist when you attempt to lift.
 4. Lift by standing or by pushing up with your leg muscles; this action removes the strain from the muscles in your back. *Do not attempt to lift any objects that weigh more than 16 kg (35 lb) or objects that you think are too heavy for you.*
- Do not perform any action that causes hazards to the customer, or that makes the equipment unsafe.
- Before you start the machine, ensure that other service representatives and the customer's personnel are not in a hazardous position.
- Place removed covers and other parts in a safe place, away from all personnel, while you are servicing the machine.
- Keep your toolcase away from walk areas so that other people will not trip over it.
- Do not wear loose clothing that can be trapped in the moving parts of a machine. Make sure that your sleeves are fastened or rolled up above your elbows. If your hair is long, fasten it.
- Insert the ends of your necktie or scarf inside clothing or fasten it with a nonconductive clip, approximately 8 centimeters (3 inches) from the end.
- Do not wear jewelry, chains, metal-frame eyeglasses, or metal fasteners for your clothing.
Attention: Metal objects are good electrical conductors.
- Wear safety glasses when you are hammering, drilling, soldering, cutting wire, attaching springs, using solvents, or working in any other conditions that might be hazardous to your eyes.
- After service, reinstall all safety shields, guards, labels, and ground wires. Replace any safety device that is worn or defective.
- Reinstall all covers correctly before returning the machine to the customer.

Electrical safety

Observe the following rules when working on electrical equipment.

Important

Use only approved tools and test equipment. Some hand tools have handles covered with a soft material that does not insulate you when working with live electrical currents.

Many customers have, near their equipment, rubber floor mats that contain small conductive fibers to decrease electrostatic discharges. Do not use this type of mat to protect yourself from electrical shock.

- Find the room emergency power-off (EPO) switch, disconnecting switch, or electrical outlet. If an electrical accident occurs, you can then operate the switch or unplug the power cord quickly.
- Do not work alone under hazardous conditions or near equipment that has hazardous voltages.
- Disconnect all power before:
 - Performing a mechanical inspection
 - Working near power supplies
 - Removing or installing main units
- Before you start to work on the machine, unplug the power cord. If you cannot unplug it, ask the customer to power-off the wall box that supplies power to the machine and to lock the wall box in the off position.
- If you need to work on a machine that has *exposed* electrical circuits, observe the following precautions:
 - Ensure that another person, familiar with the power-off controls, is near you.

Attention: Another person must be there to switch off the power, if necessary.

- Use only one hand when working with powered-on electrical equipment; keep the other hand in your pocket or behind your back.

Attention: An electrical shock can occur only when there is a complete circuit. By observing the above rule, you may prevent a current from passing through your body.

- When using testers, set the controls correctly and use the approved probe leads and accessories for that tester.
- Stand on suitable rubber mats (obtained locally, if necessary) to insulate you from grounds such as metal floor strips and machine frames.

Observe the special safety precautions when you work with very high voltages; these instructions are in the

safety sections of maintenance information. Use extreme care when measuring high voltages.

- Regularly inspect and maintain your electrical hand tools for safe operational condition.
- Do not use worn or broken tools and testers.
- *Never assume* that power has been disconnected from a circuit. First, *check* that it has been powered off.
- Always look carefully for possible hazards in your work area. Examples of these hazards are moist floors, nongrounded power extension cables, power surges, and missing safety grounds.
- Do not touch live electrical circuits with the reflective surface of a plastic dental mirror. The surface is conductive; such touching can cause personal injury and machine damage.
- Do not service the following parts *with the power on* when they are removed from their normal operating places in a machine:
 - Power supply units
 - Pumps
 - Blowers and fans
 - Motor generators

and similar units. (This practice ensures correct grounding of the units.)

- If an electrical accident occurs:
 - Use caution; do not become a victim yourself.
 - Switch off power.
 - Send another person to get medical aid.

Safety inspection guide

The purpose of this inspection guide is to assist you in identifying potentially unsafe conditions. As each machine was designed and built, required safety items were installed to protect users and service personnel from injury. This guide addresses only those items. You should use good judgment to identify potential safety hazards due to attachment of non-IBM features or options not covered by this inspection guide.

If any unsafe conditions are present, you must determine how serious the apparent hazard could be and whether you can continue without first correcting the problem.

Consider these conditions and the safety hazards they present:

- Electrical hazards, especially primary power (primary voltage on the frame can cause serious or fatal electrical shock)
- Explosive hazards, such as a damaged CRT face or a bulging capacitor
- Mechanical hazards, such as loose or missing hardware

To determine whether there are any potentially unsafe conditions, use the following checklist at the beginning of every service task. Begin the checks with the power off, and the power cord disconnected.

Checklist:

1. Check exterior covers for damage (loose, broken, or sharp edges).
2. Power-off the computer. Disconnect the power cord.
3. Check the power cord for:
 - a. A third-wire ground connector in good condition. Use a meter to measure third-wire ground continuity for 0.1 ohm or less between the external ground pin and frame ground.
 - b. The power cord should be the type specified in the parts list.
 - c. Insulation must not be frayed or worn.
4. Remove the cover.
5. Check for any obvious non-IBM alterations. Use good judgment as to the safety of any non-IBM alterations.
6. Check inside the unit for any obvious unsafe conditions, such as metal filings, contamination, water or other liquids, or signs of fire or smoke damage.
7. Check for worn, frayed, or pinched cables.
8. Check that the power-supply cover fasteners (screws or rivets) have not been removed or tampered with.

Handling electrostatic discharge-sensitive devices

Any computer part containing transistors or integrated circuits (ICs) should be considered sensitive to electrostatic discharge (ESD). ESD damage can occur when there is a difference in charge between objects. Protect against ESD damage by equalizing the charge so that the machine, the part, the work mat, and the person handling the part are all at the same charge.

Notes

1. Use product-specific ESD procedures when they exceed the requirements noted here.
2. Make sure that the ESD protective devices you use have been certified (ISO 9000) as fully effective.

When handling ESD-sensitive parts:

- Keep the parts in protective packages until they are inserted into the product.
- Avoid contact with other people.
- Wear a grounded wrist strap against your skin to eliminate static on your body.

- Prevent the part from touching your clothing. Most clothing is insulative and retains a charge even when you are wearing a wrist strap.
- Use the black side of a grounded work mat to provide a static-free work surface. The mat is especially useful when handling ESD-sensitive devices.
- Select a grounding system, such as those listed below, to provide protection that meets the specific service requirement.

Note

The use of a grounding system is desirable but not required to protect against ESD damage.

- Attach the ESD ground clip to any frame ground, ground braid, or green-wire ground.
- Use an ESD common ground or reference point when working on a double-insulated or battery-operated system. You can use coax or connector-outside shells on these systems.
- Use the round ground-prong of the AC plug on AC-operated computers.

Grounding requirements

Electrical grounding of the computer is required for operator safety and correct system function. Proper grounding of the electrical outlet can be verified by a certified electrician.

Laser compliance statement

Some IBM Personal Computer models are equipped from the factory with an optical storage device; such as a CD-ROM drive or DVD-ROM drive. They are also sold separately as options. The drive is certified in the U.S. to conform to the requirements of the Department of Health and Human Services 21 Code of Federal Regulations (DHHS 21 CFR) Subchapter J for Class 1 laser products. Elsewhere, the drive is certified to conform to the requirements of the International Electrotechnical Commission (IEC) 825 and CENELEC EN 60 825 for Class 1 laser products.

When a CD-ROM drive, DVD drive or the other laser product is installed, note the following:

⚠ CAUTION:

Use of controls or adjustments or performance of procedures other than those specified herein might result in hazardous radiation exposure.

O uso de controles, ajustes ou desempenho de procedimentos diferentes daqueles aqui especificados pode resultar em perigosa exposição à radiação.

凡未在这里指明的任何控制用法、调整、行为，都会导致严重后果。

Pour éviter tout risque d'exposition au rayon laser, respectez les consignes de réglage et d'utilisation des commandes, ainsi que les procédures décrites.

Werden Steuer- und Einstellelemente anders als hier festgesetzt verwendet, kann gefährliche Laserstrahlung auftreten.

Az itt előírt eljárásoktól, beállításoktól és vezérlésektől eltérni a lézersugárzás veszélye miatt kockázatos !

L'utilizzo di controlli, regolazioni o l'esecuzione di procedure diverse da quelle specificate possono provocare l'esposizione a.

Использование элементов настройки и выполнение процедур иных, чем указано здесь, может привести к опасному радиационному облучению.

Použitie kontrol, úprav alebo iných vykonaní od iných výrobcov, ako je v tomto špecifikované, mohlo by mať za následok nebezpečenstvo vystavenia sa vyžiarovaniu.

El uso de controles o ajustes o la ejecución de procedimientos distintos de los aquí especificados puede provocar la exposición a radiaciones peligrosas.

Opening the CD-ROM drive, DVD-ROM drive or the other optical storage device could result in exposure to hazardous laser radiation. There are no serviceable parts inside those drives. **Do not open.**

Some CD-ROM drives, DVD-ROM drives or the other optical storage devices contain an embedded Class 3A or Class 3B laser diode. Note the following:

⚠ DANGER:

Emits visible and invisible laser radiation when open. Do not stare into the beam, do not view directly with optical instruments, and avoid direct exposure to the beam.

Radiação por raio laser ao abrir. Não olhe fixo no feixe de luz, não olhe diretamente por meio de instrumentos óticos e evite exposição direta com o feixe de luz.

开启时会有激光发射时，请勿盯视激光光束，请勿直接查看视觉仪器，并且避免直接接触在激光光束之中。

Rayonnement laser si carter ouvert. Évitez de fixer le faisceau, de le regarder directement avec des instruments optiques, ou de vous exposer au rayon.

Laserstrahlung bei geöffnetem Gerät. Nicht direkt oder über optische Instrumente in den Laserstrahl sehen und den Strahlungsbereich meiden.

Kinyitáskor lézersugár ! Ne nézzen bele se szabad szemmel, se optikai eszközökkel. Kerülje a sugárnyalábbal való érintkezést !

Aprendo l'unità vengono emesse radiazioni laser. Non fissare il fascio, non guardarlo direttamente con strumenti ottici e evitare l'esposizione diretta al fascio.

Открывая, берегитесь лазерного излучения. Не смотрите на луч, не разглядывайте его с помощью оптических инструментов, а также избегайте прямого воздействия лазерного луча.

Keď je laserová jednotka otvorená. Vyhnite sa priamemu pohľadu a nehladte priamo s optickými nástrojmi do lúča a vyhnite sa priamemu vystaveniu lúčov.

Radiación láser al abrir. No mire fijamente ni examine con instrumental óptico el haz de luz. Evite la exposición directa al haz.

General descriptions

This chapter includes descriptions for any ThinkPad model that has the PC-Doctor DOS diagnostics program. Some descriptions might not apply to your particular computer.

Read this first

Before you go to the checkout guide, be sure to read this section.

Important notes

- **Only certified trained personnel should service the computer.**
- **Read the entire FRU removal and replacement page before replacing any FRU.**
- **Use new nylon-coated screws when you replace FRUs.**
- **Be extremely careful during such write operations as copying, saving, or formatting.** Start sequence of drives in the computer that you are servicing might have been altered. If you select an incorrect drive, data or programs might be overwritten.
- **Replace FRUs only for the correct model.** When you replace a FRU, make sure the model of the machine and the FRU part number are correct by referring to the FRU parts list.
- **A FRU should not be replaced because of a single, unreproducible failure.** Single failures can occur for a variety of reasons that have nothing to do with a hardware defect, such as cosmic radiation, electrostatic discharge, or software errors. Consider replacing a FRU only when a problem recurs. If you suspect that a FRU is defective, clear the error log and run the test again. If the error does not recur, do not replace the FRU.
- **Be careful not to replace a nondefective FRU.**

What to do first:

When you do return a FRU, you must include the following information in the parts exchange form or parts return form that you attach to it:

- ___ 1. Name and phone number of servicer
- ___ 2. Date of service
- ___ 3. Date on which the machine failed
- ___ 4. Date of purchase
- ___ 5. Failure symptoms, error codes appearing on the display, and beep symptoms

- ___ 6. Procedure index and page number in which the failing FRU was detected
- ___ 7. Failing FRU name and part number
- ___ 8. Machine type, model number, and serial number
- ___ 9. Customer's name and address

Note for warranty:

During the warranty period, the customer may be responsible for repair costs if the computer damage was caused by misuse, accident, modification, unsuitable physical or operating environment, or improper maintenance by the customer. The following list provides some common items that are not covered under warranty and some symptoms that might indicate that the system was subjected to stress beyond normal use.

Before checking problems with the computer, determine whether the damage is covered under the warranty by referring to the following:

The following are not covered under warranty:

- LCD panel cracked from the application of excessive force or from being dropped
- Scratched (cosmetic) parts
- Distortion, deformation or discoloration of the cosmetic parts
- Cracked or broken plastic parts, broken latches, broken pins, or broken connectors caused by excessive force
- Damage caused by liquid spilled into the system
- Damage caused by the improper insertion of a PC Card or the installation of an incompatible card
- Damage caused by foreign material in the diskette drive
- Diskette drive damage caused by pressure on the diskette drive cover or by the insertion of a diskette with multiple labels
- Damaged or bent diskette eject button
- Fuses blown by attachment of a nonsupported device
- Forgotten computer password (making the computer unusable)
- Sticky keys caused by spilling a liquid onto the keyboard

The following symptoms might indicate damage caused by nonwarranted activities:

- Missing parts might be a symptom of unauthorized service or modification.
- If the spindle of a hard disk drive becomes noisy, it may have been subjected to excessive force, or dropped.

Related service information

This section provides information about the following:

- “Service Web site”
- “Product recovery program”
- “Passwords” on page 25
- “Power management” on page 28

Service Web site

When the latest maintenance diskette and the system program service diskette are available, a notice will be posted on <http://www.pc.ibm.com/partner/infotips/>

Product recovery program

Restoring the pre-installed software:

To restore the pre-installed software, you can use either the Product Recovery program or a Recovery CD.

The Product Recovery program is in a section of the hard-disk drive (the Service Partition) that is not displayed by Windows Explorer. Use the Recovery CD if it was provided with the computer.

Note: The recovery process might take up to 2 hours.

To use the Product Recovery program to restore the pre-installed software, do the following:

1. Save all files and shut down the desktop.
2. Turn off the computer.
3. Turn on the computer. Quickly press **F11** when this message is displayed on the screen:**“To start the Product Recovery program, press F11”**..... This message is displayed for only a few seconds.

Note: If this message does not appear, you can use a Recovery Repair diskette to get access to the Product Recovery program. (For making the Recovery Repair diskette, see “To create a recovery repair diskette:” on page 24.)

4. From the list displayed on the screen, select the operating system you want to recover.
5. Select the recovery options you want, and follow the instructions on the screen.

Creating the service partition:

To create Service Partition and install the preloaded system from Recovery CD, do the following:

To create Service Partition (SP):

1. Erase all partitions on the hard-disk drive using FDISK or similar application.
2. Boot with Recovery CD (and boot diskette if required).

3. A menu will appear stating “**Your computer originally included a Product Recovery program ... Reinstall the Product Recovery Program? (Y/N) []**”.

Note: If the hard-disk drive contains any partitions, you will not receive this menu — go to step 1.

4. Enter **Y** and Service Partition will be created and loaded with D2D files.

Note: If you do not want to create Service Partition, press **N**, and then go to step 8.

5. Press **ENTER** at next window to continue.
 - Service Partition will be created. System will automatically reboot during this process.
 - Recovery process will copy some files to the Service Partition, PKUNZIP others.
 - Follow prompts — you may be prompted to change CDs.
 - System will reboot when complete, continue to step 6 to install preloaded system.

Install preloaded system from CD:

6. Boot with Recovery CD (and boot diskette if required.)
7. If the hard-disk drive is blank, a menu will appear stating “**Your computer originally included a Product Recovery program ... Reinstall the Product Recovery Program? (Y/N) []**”.
 - To install Service Partition, go to step 4.
 - To preload hard-disk drive without installing Service Partition, press **N**.
8. If a menu appears asking which operating system to install, highlight proper operating system and press **ENTER**.
9. A menu will appear stating “**Full Recovery:**”. Press **ENTER** to select.
10. Enter **Y** at the three windows which follow.
11. Follow prompts to complete Recovery.

To create a recovery repair diskette:

The Recovery Repair diskette is used to recover the prompt that is needed to access the Product Recovery program, if the prompt does not appear. Make a Recovery Repair diskette and save it for future use. To make a Recovery Repair diskette:

1. Shut down and turn off the computer.
2. Attach the external diskette drive to the computer.
3. At the prompt, press **F11**. (The option to press **F11** appears for only a few seconds. You must press **F11** quickly.) The Product Recovery program main menu appears.

4. If you are using Windows 2000 Professional, you will be prompted to select the appropriate operating system setting. This menu does not appear for Windows 98 SE.
5. Select System Utilities from the main menu. Press **Enter**.
6. Select Create a Recovery Repair diskette. Press **Enter**.
7. Follow the on-screen instructions.
8. When the process is completed, label the diskette as the Recovery Repair diskette and save it for future use.

To use the recovery repair diskette:

1. Shut down and turn off the computer.
2. Attach the external diskette drive to the computer.
3. Insert the Recovery Repair diskette into the drive; then turn on the computer.
4. Follow the on-screen instructions.

Passwords

As many as three passwords may be needed for any ThinkPad computer: the power-on password (POP), the hard-disk password (HDP), and the supervisor password (SVP).

Exception: If only SVP is installed, the password prompt doesn't appear when the operating system is booted.

When any of these passwords is used, a password prompt appears on the screen whenever the computer is turned on. The computer does not start until the password is entered.

Power-on password:

A power-on password (POP) protects the system from being powered on by an unauthorized person. The password must be entered before an operating system can be booted.

Hard-disk password:

There are two hard-disk passwords (HDPs):

- User HDP—for the user
- Master HDP—for the system administrator, who can use it to get access to the hard disk even if the user has changed the user HDP

Note: There are two modes for the HDP: **User only** and **Master + User**. The **Master + User** mode requires two HDPs and is designed for the system administrator to input both in the same operation. The system administrator then provides the user HDP to the system user.

Attention

If the user HDP is forgotten, check to see if a master HDP was set. If a master HDP was set and can be recalled, this will allow access to the hard-disk drive. If no master HDP is available, IBM does not provide any services to reset either the user or the master HDP nor recover data from the hard-disk drive. The hard-disk drive can be replaced for a scheduled fee.

Supervisor password:

A supervisor password (SVP) protects the system information stored in the IBM BIOS Setup Utility. The SVP must be entered in order to access the IBM BIOS Setup Utility and make changes to system configuration settings.

Attention

If the SVP has been forgotten and cannot be made available to the servicer, there is no service procedure to reset the password. The system board must be replaced for a scheduled fee.

How to remove the power-on password

To remove a POP that you have forgotten, do the following:

(A) If SVP is not installed:

1. Turn off the computer.
2. Remove the battery pack.

For how to remove the battery pack, see “1010 Battery pack” on page 57.

3. Remove the backup battery.

For how to remove the backup battery, see “1020 Backup battery” on page 58.

4. Turn on the computer and wait until the POST ends.

After the POST ends, the password prompt does not appear. The POP has been removed.

5. Reinstall the backup battery and the battery pack.

(B) If SVP is installed and known by the servicer:

1. Turn on the computer by pressing and holding **F1**.
2. Enter the SVP. The IBM BIOS Setup Utility menu appears.
3. Select **Password**, using the cursor keys to move down the menu.
4. Select **Power-On Password**.
5. Enter the SVP, at the Enter Current Password field.

6. When the Enter New Password field opens, leave it blank and press **Enter** twice.
7. Press **Enter** in the Changes have been saved window.
8. Press **F10**; then select **Yes** in the Setup confirmation window.

How to remove the hard-disk password

Attention

If **User only** mode is selected and the user HDP is forgotten and cannot be made available to the servicer, IBM does not provide any services to reset the user HDPs nor recover data from the hard-disk drive. The hard-disk drive can be replaced for a scheduled fee.

To remove the user HDP that has been forgotten, when the SVP and master HDP is known, do the following:

1. Power on the computer by pressing and holding **F1**.
2. Enter the SVP. The IBM BIOS Setup Utility menu appears.
3. Select **Password**, using the cursor keys to move down the menu.
4. Select **Hard-disk x password**, where x is the letter of the hard-disk drive. A pop-up window opens.
5. Select either **User HDP** or **Master HDP**.
6. Enter the master HDP; then leave the New Password field blank and press **Enter** twice.
7. Press **F10**.
8. Select **Yes** in the Setup Configuration window.

Both user HDP and master HDP will have been removed.

Power management

To reduce power consumption, the computer has three power management modes: screen blank, standby, and hibernation.

Notes

- Screen blank mode is called *standby mode* in Windows 95 and Windows NT.
- Standby mode is called *suspend mode* in Windows 95 and Windows NT.

Screen blank mode

Screen blank mode has three variants, as follows:

1. If you press **Fn + F3**, or the time set on the "LCD off timer" in IBM BIOS Setup Utility expires,
 - The LCD backlight turns off.
 - The hard-disk drive motor stops.
 - The speaker is muted.
2. If you are using the ACPI operating system and you press **Fn + F3**,
 - The LCD backlight turns off.
 - The hard-disk drive motor stops.
3. If the time set on the "Turn off monitor" timer in the operating system expires,
 - The LCD backlight turns off.

To end screen blank mode and resume normal operation, press any key.

Standby mode

When the computer enters standby mode, the following events occur in addition to what occurs in screen blank mode:

- The LCD is powered off.
- The hard-disk drive motor stops in models listed below.

A21e series

MT2655-21x, 22x, 23x, 31x, 32x, 33x, 41x, 42x, 43x, 71x, 72x, 73x, 81x, 82x, 83x, 91x, 92x, 93x, B2x, B4x

A22e series

MT2655-25x, 26x, 27x, 35x, 36x, 37x, 75x, 76x, 77x, 85x, 86x, 87x, MT2663-77x,, MT2664-77x

i 1800 series

MT2655-P3J

- The hard-disk drive is powered off in models listed below.

A22e series

MT2655-45x, 46x, 47x, 55x, 56x, 57x, 65x, 66x, 67x, 95x, 96x, 97x, A5x, A6x, A7x, B5x, B6x, B7x

i 1800 series

MT2655-P7J, PAJ

- The CPU stops.

To enter standby mode, press **Fn + F4**.

Note: You can change the action of **Fn + F4**, if you are using the ACPI operating system.

In certain circumstances, the computer goes into standby mode automatically:

- If a “suspend time” has been set on the timer, and the user does not do any operation with the keyboard, the TrackPoint, the hard disk, the parallel connector, or the diskette drive within that time.
- If the battery indicator blinks orange, indicating that the battery power is low. (Alternatively, if **Hibernate when battery becomes low** has been selected in the “Power Management Properties” window, the computer goes into hibernation mode.)

Note for the APM operating system:

Even if you don’t set the low-battery alarm, the charge indicator notifies you when the battery is low, and then the computer enters the power-saving mode automatically. This default low-battery behavior is independent of the operating system; so if you have set the low-battery alarm, the computer may not do what you specified. It chooses either your setting or the default setting, whichever is appropriate.

If you are using the ACPI operating system, only the low-battery alarm is available.

To cause the computer to return from standby mode and resume operation, do one of the following:

- Press the **Fn** key.
- Open the LCD cover (only if you are using Windows Me and you entered standby mode by closing the LCD cover).
- Turn on the power switch.

Also, the computer automatically returns from standby mode and resumes operation in either of the following events:

- The ring indicator (RI) is signaled by a serial device or a PC Card device (Windows 2000 does not support ring indicator (RI) resume by PC Card device.)
- The time set on the resume timer elapses. In Windows 98, the **Scheduled Tasks** setting takes priority over the **Resume on timer** selection in the “Power Management Properties” window.

Note: The computer does not accept any input immediately after it enters standby mode. Wait a few seconds before taking any action to reenter operation mode.

Hibernation mode

Note for Windows NT

If you are using Windows NT in the default format, NTFS, you cannot create a hibernation file. If you want to use hibernation mode, you will need to reinstall Windows NT with FAT format.

In hibernation mode, the following occurs:

- The system status, RAM, VRAM, and setup data are stored on the hard disk.
- The system is powered off.

Note for the APM operating system

If you are running the computer on ac power and using a communication PC Card, the computer cannot enter hibernation mode.

To cause the computer to enter hibernation mode, do any of the following:

- Press the **Fn + F12** keys.
- If you are using the APM operating system and have set the mode to **Power switch mode [Hibernation]**, turn off the power switch.

Also, the computer automatically goes into hibernation mode in either of the following conditions:

- If you are using an operating system other than Windows 98 and the timer conditions are satisfied in suspend mode.
- If you are using the APM operating system and have set the mode to **Hibernate when battery becomes low**, and the battery charge becomes critically low.

Note: If you are using the ACPI operating system, you can define closing the lid, pressing the Power button and pressing **Fn + F4** as events that cause the system to go into hibernation mode.

When the power is turned on, the computer returns from hibernation mode and resumes operation. The hibernation file in the boot record on the hard-disk drive is read, and system status is restored from the hard-disk drive.

Checkout guide

Use the following procedures as a guide in identifying and correcting problems with the ThinkPad computer.

Note: The diagnostic tests are intended to test only IBM products. The use of non-IBM products, prototype cards, or modified options can lead to false indications of errors and invalid system responses.

1. Identify the failing symptoms in as much detail as possible.
2. Verify the symptoms. Try to re-create the failure by running the diagnostic test or by repeating the operation.

Testing the computer

The ThinkPad computer has a test program called PC-Doctor DOS (hereafter called *PC-Doctor*). You can detect errors by running the diagnostics test included in PC-Doctor. This section is an overview of the procedure. For details that depend on model-unique functions, refer to “Product overview” on page 39.

For some possible configurations of the computer, PC-Doctor might not run correctly. To avoid this problem, you need to initialize the computer setup by use of the IBM BIOS Setup Utility before you run PC-Doctor. On the IBM BIOS Setup Utility screen, press **F9**, **Enter**, **F10**, and then **Enter**.

Note: When you initialize the computer configuration, some devices are disabled, such as the serial port. If you test one of these devices, you will need to enable it by using PS2.EXE.

PC-Doctor cannot be used to test a device that is in the docking station, even if the computer supports the docking station. To test a USB device, connect it to the USB connector of the computer. To test the Ultrabay 2000 device, install it in the Ultrabay 2000 slot of the computer.

To run the test, do as follows:

Note: In the following procedure, you can select an item not only with the arrow keys, but also with the TrackPoint. Instead of pressing **Enter**, click the left button.

1. Insert the PC-Doctor disk into the diskette drive; then power on the computer.

If the computer cannot be powered on, go to “Power system checkout” on page 34, and check the power sources.

If an error code appears, go to “Symptom-to-FRU index” on page 46.

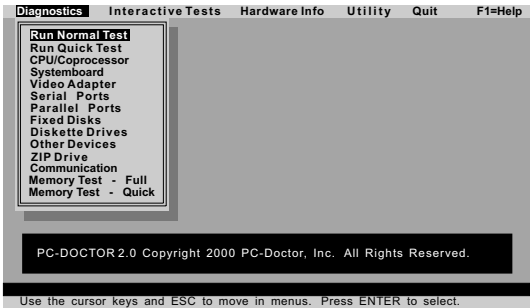
On the first screen, select the model and press **Enter**. Follow the instructions on the screen.

2. The main panel of PC-Doctor appears.
3. Select **Diagnostics** with the arrow keys, and press **Enter**.

A pull-down menu appears. (Its exact form depends on the model.)

The options on the test menu are as follows:

Diagnostics	Interactive Tests
<ul style="list-style-type: none"> • Run Normal Test • Run Quick Test • CPU/Coprocessor • Systemboard • Video Adapter • Serial Ports • Parallel Ports • Fixed Disks • Diskette Drives • Other Devices • ZIP Drive (*) • LS-120 Drive (*) • Communication • Memory Test – Full • Memory Test – Quick 	<ul style="list-style-type: none"> • Keyboard • Video • Internal Speaker • Mouse • Joystick Test • Diskette • System Load • CD-ROM/DVD Test • Stereo Speaker
<p>Notes:</p> <ul style="list-style-type: none"> • In the Keyboard test in Interactive Tests, the Fn key is scanned only once. Each key should be held down for at least 2 seconds; otherwise, it cannot be sensed. • On some models, the sound card is not recognized in the Stereo Speaker in the Interactive Tests. To test it, use the audio device test in the Other Devices in the Diagnostics. • Video Adapter test supports only the LCD display on ThinkPad. Before running PC-Doctor DOS, detach the external monitor. • To test ZIP Drive or LS-120 Drive, each media is needed to be inserted before start testing. 	



4. Run the applicable function test.
5. Follow the instructions on the screen. If there is a problem, PC-Doctor shows messages describing it.
6. To exit the test, select **Quit — Exit Diag.**
To cancel the test, press **Esc.**

Note: After executing PC-Doctor, check the system time/date and reset them if needed.

Detecting system information with PC-Doctor

PC-Doctor can detect the following system information:

Hardware Info

- System Configuration
- Memory Contents
- Physical Disk Drives
- Logical Disk Drives
- VGA Information
- IDE Drive Info
- PCI Information
- PNPISA Info
- SMBIOS Info
- VESA LCD Info

Utility

- Run External Tests
- Surface Scan Hard Disk
- Benchmark System
- DOS Shell
- Tech Support Form
- Battery Rundown
- View Test Log
- Print Log
- Save Log
- Full Erase Hard Drive
- Quick Erase Hard Drive

Power system checkout

To verify a symptom, do the following:

1. Power off the computer.
2. Remove the battery pack.
3. Connect the ac adapter.
4. Check that power is supplied when you power on the computer.
5. Power off the computer.
6. Disconnect the ac adapter and install the charged battery pack.
7. Check that the battery pack supplies power when you power on the computer.

If you suspect a power problem, see the appropriate one of the following power supply checkouts:

- “Checking the ac adapter”
- “Checking operational charging” on page 35
- “Checking the battery pack” on page 35
- “Checking the backup battery” on page 36

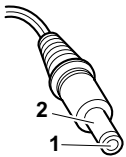
Checking the ac adapter

You are here because the computer fails only when the ac adapter is used:

- If the power problem occurs only when the port replicator is used, replace the port replicator.
- If the power-on indicator does not turn on, check the power cord of the ac adapter for correct continuity and installation.
- If the computer does not charge during operation, go to “Checking operational charging.”

To check the ac adapter, do the following:

1. Unplug the ac adapter cable from the computer.
2. Measure the output voltage at the plug of the ac adapter cable. See the following figure:



Pin	Voltage (V dc)
1	+15.5 to +17.0
2	Ground

- If the voltage is not correct, replace the ac adapter.
- If the voltage is acceptable, do the following:
 - Replace the system board.
 - If the problem persists, go to “Product overview” on page 39.

Note: Noise from the ac adapter does not always indicate a defect.

Checking operational charging

To check whether the battery charges properly during operation, use a discharged battery pack or a battery pack that has less than 50% of the total power remaining when installed in the computer.

Perform operational charging. If the battery status indicator or icon does not turn on, remove the battery pack and let it return to room temperature. Reinstall the battery pack. If the charge indicator or icon still does not turn on, replace the battery pack.

If the charge indicator still does not turn on, replace the system board. Then reinstall the battery pack. If it is still not charged, go to the next section.

Checking the battery pack

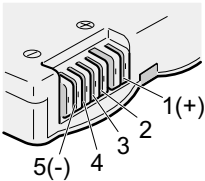
Battery charging does not start until the Power Meter shows that less than 95% of the total power remains; under this condition the battery pack can charge to 100% of its capacity. This protects the battery pack from being overcharged or from having a shortened life.

To check the status of your battery, move your cursor to the Power Meter icon in the icon tray of the Windows taskbar and wait for a moment (but do not click), and the percentage of battery power remaining is displayed. To get detailed information about the battery, double-click the Power Meter icon.

Note: If the battery pack becomes hot, it may not be able to charge. Remove it from the computer and leave it at room temperature for a while. After it cools down, reinstall and recharge it.

To check the battery pack, do the following:

1. Power off the computer.
2. Remove the battery pack and measure the voltage between battery terminals 1 (+) and 5 (-). See the following figure:



Terminal	Voltage (V dc)
1	+ 0 to + 12.6
5	Ground (-)

3. for Lithium ion battery;

- If the voltage is less than +11.0 V dc, the battery pack has been discharged.

Note: Recharging will take at least 3 hours, even if the indicator does not turn on.
If the voltage is still less than +11.0 V dc after recharging, replace the battery.

for Nickel metal hydride battery;

- If the voltage is less than +8.0 V dc, the battery pack has been discharged.

Note: Recharging will take at least 3 hours, even if the indicator does not turn on.
If the voltage is still less than +8.0 V dc after recharging, replace the battery.

4. **for Lithium ion battery;**

- If the voltage is more than +11.0 V dc, measure the resistance between battery terminals 4 and 5. The resistance must be 4 to 30 K ohm.

for Nickel metal hydride battery;

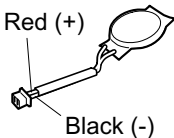
- If the voltage is more than +8.0 V dc, measure the resistance between battery terminals 4 and 5. The resistance must be 4 to 30 K ohm.

If the resistance is not correct, replace the battery pack. If the resistance is correct, replace the system board.

Checking the backup battery

Do the following:

1. Power off the computer, and unplug the ac adapter from it.
2. Turn the computer upside down.
3. Remove the battery pack (see “1010 Battery pack” on page 57).
4. Remove the backup battery (see “Checking the battery pack” on page 35).
5. Measure the voltage of the backup battery. See the following figure.



Wire	Voltage (V dc)
Red	+2.5 to +3.2
Black	Ground

- If the voltage is correct, replace the system board.
- If the voltage is not correct, replace the backup battery.
- If the backup battery discharges quickly after replacement, replace the system board.

ThinkPad A21e, A22e, i 1800

Product overview	39
Specifications	39
Status indicators	41
FRU Tests	43
Fn key combinations	44
Symptom-to-FRU index	46
Numeric error codes	46
Error messages	49
Beep symptoms	50
No beep symptoms	50
LCD-related symptoms	51
Intermittent problems	52
Undetermined problems	52
FRU replacement notices	53
Screw notices	53
Retaining serial numbers.	54
Restoring the serial number of the system unit	54
Retaining the UUID	54
Removing and replacing a FRU.	56
1010 Battery pack.	57
1020 Backup battery	58
1030 Hard-disk drive	60
1040 DIMM	62
1050 Mini PCI adapter	63
1060 Ultrabay 2000 device	66
1070 Keyboard	67
1080 Keyboard CRU insulator	72
1090 Fan assembly	73
For models excepting MT2655-65x, 66x, 67x, B5x, B6x, B7x	73
For MT2655-65x, 66x, 67x, B5x, B6x, B7x	75
1100 CPU	77
1110 PC Card slot assembly	79
1120 Hinge cover	81
1130 Keyboard bezel	83
1140 Speaker	86
For A21e series	86
For A22e and i 1800 series	87
1150 Hard-disk bay	89
1160 LED connector card	91
1170 Ultrabay 2000 slot	93
1180 System board	96
2010 LCD assembly	98
2020 Front bezel.	104
12.1-in. LCD (only for A21e series)	104
13.3-in. and 14.1-in. LCD	105
2030 Inverter card	106
12.1-in. LCD (only for A21e series)	106
13.3-in. and 14.1-in. LCD	107
2040 LCD panel	108

12.1-in. LCD (only for A21e series)	108
13.3-in. and 14.1-in. LCD	110
2050 Sub card	113
Locations	115
Front view	115
Rear view	116
Bottom view	117
Parts list	118
A21e, A22e and i 1800 model matrix	118
Overall	121
LCD FRUs	125
12.1-in. SVGA TFT (only for A21e)	125
13.3-in. XGA TFT	126
14.1-in. XGA TFT	127
Keyboard	128
Recovery CDs for i 1800 series	129
For Windows Me models	129
Recovery CDs for A22e series.	129
For Windows 98 models	129
For Windows 2000 models.	130
For Windows 2000/Windows NT models	130
Miscellaneous parts	131
Optional FRUs	135
Common parts list	136
Tools	136
Power cords (system)	136
Notices	137
Trademarks	137

Product overview

This section presents the following product-unique information:

- “Specifications”
- “Status indicators” on page 41
- “FRU Tests” on page 43
- “Fn key combinations” on page 44

Specifications

The following table lists the specifications of the ThinkPad A21e, A22e and i 1800:

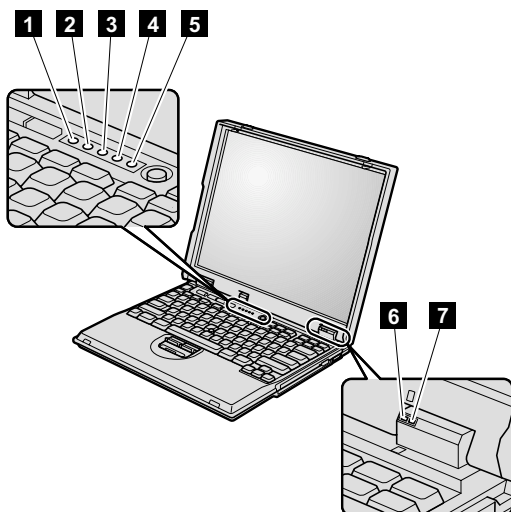
Feature	Description
Processor	<p>A21e</p> <ul style="list-style-type: none"> • Intel® Celeron® processor 650 MHz • Intel® Celeron® processor 700 MHz <p>A22e</p> <ul style="list-style-type: none"> • Intel® Celeron® processor 800 MHz • Intel® mobile Pentium® III processor 850 MHz featuring Intel® SpeedStep™ technology • Intel® mobile Pentium® III processor 900 MHz featuring Intel® SpeedStep™ technology <p>i 1800</p> <ul style="list-style-type: none"> • Intel® Celeron® processor 750 MHz • Intel® mobile Pentium® III processor 750 MHz featuring Intel® SpeedStep™ technology
Bus architecture	PCI Bus
Memory (standard)	<p>A21e, A22e</p> <ul style="list-style-type: none"> • 64 MB (SO-DIMM × 2) <p>i 1800</p> <ul style="list-style-type: none"> • 128 MB (SO-DIMM × 2)
Memory (optional)	<p>A21e</p> <ul style="list-style-type: none"> • 64 MB or 128 MB DIMM card (maximum of 256 MB) <p>A22e, i 1800</p> <ul style="list-style-type: none"> • 64 MB or 128 MB DIMM card (maximum of 256 MB) • 64 MB, 128 MB or 256 MB DIMM card (maximum of 512 MB)
CMOS RAM	242 bytes

(continued)

Feature	Description
Display	<p>A21e</p> <ul style="list-style-type: none"> • 12.1-inch, 16M colors, SVGA (800×600 resolution) TFT color LCD • 13.3-inch, 16M colors, XGA (1024×768 resolution) TFT color LCD • 14.1-inch, 16M colors, XGA (1024×768 resolution) TFT color LCD <p>A22e</p> <ul style="list-style-type: none"> • 13.3-inch, 16M colors, XGA (1024×768 resolution) TFT color LCD • 14.1-inch, 16M colors, XGA (1024×768 resolution) TFT color LCD <p>i 1800</p> <ul style="list-style-type: none"> • 14.1-inch, 16M colors, XGA (1024×768 resolution) TFT color LCD
Hard-disk drive	<p>A21e</p> <ul style="list-style-type: none"> • 20.0 GB, 2.5-inch, IDE interface <p>A22e</p> <ul style="list-style-type: none"> • 15.0 GB, 2.5-inch, IDE interface • 20.0 GB, 2.5-inch, IDE interface • 30.0 GB, 2.5-inch, IDE interface <p>i 1800</p> <ul style="list-style-type: none"> • 20.0 GB, 2.5-inch, IDE interface • 30.0 GB, 2.5-inch, IDE interface
I/O port	<ul style="list-style-type: none"> • External monitor • Line-in • Headphone • Microphone • Parallel or diskette drive • Port replicator connector • Serial • Universal serial bus (USB) connector • RJ11 • RJ45
Internal modem	56.6 Kbps
Audio	<ul style="list-style-type: none"> • Internal speaker • Software control volume
PC Card	<ul style="list-style-type: none"> • One Type-III or one Type-II • One Type-III or two Type-II
AC adapter	72-watt type
Bay device	<p>A21e</p> <ul style="list-style-type: none"> • 10-24x CD-ROM drive <p>A22e</p> <ul style="list-style-type: none"> • 10-24x CD-ROM drive • 8x DVD-ROM drive <p>i 1800</p> <ul style="list-style-type: none"> • 8x/4x/24x CD-RW drive • 8x/4x/24x/8x CD-RW/DVD drive

Status indicators

The system status indicators show the status of the computer, as follows:



Indicator	Meaning
1 Drive in use	<p>Green: Data is being read from or written to the storage device, such as the hard disk drive or a drive in the Ultrabay 2000. When this indicator is on, do not put the computer into standby mode or turn off the computer.</p> <p>Note: Do not move the system while the Green drive in use light is on. Sudden physical shock could cause drive errors.</p>
2 Num lock	<p>Green: The numeric keypad on the keyboard is enabled. To enable or disable the keypad, press and hold the Shift key, and then press the NumLk (ScrLk) key. If the numeric keypad is enabled, press and hold Shift key to use the cursor- and screen-control keys temporarily.</p>
3 Caps lock	<p>Green: Caps Lock mode is enabled. To enable or disable Caps Lock mode, press Fn + Caps Lock key.</p>

(continued)

Indicator	Meaning
4 Scroll lock	<p>Green: Scroll Lock mode is enabled. The Arrow keys can be used as screen-scroll function keys. The cursor cannot be moved with the Arrow keys. Not all application programs support this function. To enable or disable Scroll Lock mode, press the ScrLk key.</p>
5 Power on	<p>Green: The computer is on and ready to use. In some models, this indicator stays lighted even when the computer is in the standby mode. For A21e series and the low-end models of A22e, if the power-on indicator is on and the standby indicator is off, the system is ready to use. For the high-end models of A22e, if the power-on indicator is off and the standby indicator is on, the system is ready to use.</p>
6 Battery	<p>Green: The battery is fully charged.</p> <p>Blinking green: The battery has enough power to operate, but is being charged.</p> <p>Orange: The battery power is low. The battery is to being charged.</p> <p>Blinking orange: The battery needs to be charged. when the indicator starts blinking orange, the computer beeps three times.</p>
7 Standby status	<p>Green: The computer is in standby mode.</p> <p>Blinking green: The computer is entering standby mode or hibernation mode, or is resuming normal operation. This indicator does not blink in Windows 98, Windows 2000 and Windows Me.</p>

FRU Tests

The following table shows the test for each FRU.

FRU	Applicable test
System board	<ol style="list-style-type: none"> 1. Diagnostics --> CPU/Coprocessor 2. Diagnostics --> Systemboard
Power	Diagnostics --> Other Devices --> IBM AC Adapter, IBM Battery 1
LCD unit	<ol style="list-style-type: none"> 1. Diagnostics --> Video Adapter 2. Interactive Tests --> Video
Modem	<ol style="list-style-type: none"> 1. Make sure the modem is set up correctly. 2. Replace the modem jack and the modem card in turn, and run the following tests in Diagnostics --> Communication: <ol style="list-style-type: none"> a. Lucent Modem (M2) Loopback b. Lucent Modem (M2) Dialtone/DTM c. Intel Modem Register d. Intel Modem Loopback/DTMF e. Intel SP Modem Register f. Intel SP Modem Loopback/DTMF g. 3Com MiniPCI Modem Test h. 3Com MiniPCI Dialtone Test
Audio	<ol style="list-style-type: none"> 1. Interactive Tests --> Internal Speaker 2. Interactive Tests --> Stereo Speaker (Celeron model only) 3. Diagnostics --> Other Devices --> Crystal SoundFusion™ Test
Speaker	<ol style="list-style-type: none"> 1. Interactive Tests --> Internal Speaker 2. Interactive Tests --> Stereo Speaker (Celeron model only)
PC Card slots	Diagnostics --> Systemboard --> PCMCIA, PCMCIA External Loop
Keyboard	<ol style="list-style-type: none"> 1. Diagnostics --> Systemboard --> Keyboard 2. Interactive Tests --> Keyboard
TrackPoint or pointing device	<p>If the TrackPoint does not work, check the configuration in the ThinkPad Configuration program. If the TrackPoint is disabled, select Enable to enable it.</p> <p>After you use the TrackPoint, the pointer may drift on the screen for a short time. This drift can occur when a slight, steady pressure is applied to the TrackPoint pointer. This symptom is not a hardware problem. If the pointer stops after a short time, no service action is necessary.</p> <p>If enabling the TrackPoint does not correct the problem, continue with the following:</p> <ul style="list-style-type: none"> • Interactive Tests --> Mouse
Hard-disk drive	Diagnostics --> Fixed Disks

(continued)

FRU	Applicable test
Diskette drive	<ol style="list-style-type: none"> 1. Diagnostics --> Diskette Drives 2. Interactive Tests --> Diskette
CD-ROM or DVD drive	<ol style="list-style-type: none"> 1. Diagnostics --> Other Devices --> CD-ROM/DVD 2. Interactive Tests --> CD-ROM/DVD Test
Memory	<ol style="list-style-type: none"> 1. If two DIMMs are installed, remove one of them and run Diagnostics --> Memory Test - Quick. 2. If the problem does not recur, return the DIMM to its place, remove the other one, and run the test again. 3. If the test does not detect the error, run Diagnostics --> Memory Test - Full.
Fan	<ol style="list-style-type: none"> 1. Turn on the computer and check the air turbulence at the louver near the power switch. 2. Run Diagnostics --> Other Devices --> IBM Fan.

Fn key combinations

The following table shows the function of each combination of **Fn** with a function key.

The **Fn** key works independently from the operating system.

Key combination	Description
Fn + F1	Reserved.
Fn + F2	Reserved.
Fn + F3	Turn off the computer display, leaving the screen blank. To turn the computer display on again, press any key or the TrackPoint stick.
Fn + F4	<p>Turn standby mode on. To return to normal operation, press the Fn key independently, without pressing a function key.</p> <p>Notes:</p> <ol style="list-style-type: none"> 1. This mode is called <i>suspend mode</i> in Windows 95 and Windows NT. 2. In Windows 2000, this combination of buttons functions as a sleep button. You can change the settings so that pressing it puts the computer into hibernation mode or even shut the computer down.
Fn + F5	Reserved.
Fn + F6	Reserved.

(continued)

Key combination	Description
Fn + F7	<p>Switch between the computer display and an external monitor. If an external monitor is attached, computer output is displayed in the following three patterns by turns:</p> <ul style="list-style-type: none"> • External monitor (CRT) • Computer display and external monitor (LCD + CRT) • Computer display (LCD) <p>Note: This function is not supported when the computer is in large desktop mode or when the computer output is driven by the secondary CRT controller.</p>
Fn + F8	<p>Turn screen expansion on or off. (There is no symbol on the key.)</p> <p>Note: This function is not supported in Windows 2000.</p>
Fn + F9	Reserved.
Fn + F10	Reserved.
Fn + F11	Reserved.
Fn + F12	Turn hibernation mode on. To return to normal operation, press the power button for less than four seconds.
Fn + PgUp	Turn the ThinkLight on or off.
Fn + Home	The computer display becomes brighter.
Fn + End	The computer display becomes less bright.
Fn + Insert (for i-series)	Audio volume becomes bigger.
Fn + Delete (for i-series)	Audio volume becomes smaller.
Fn + Backspace (for i-series)	Mute.

Symptom-to-FRU index

The symptom-to-FRU index in this section lists symptoms and errors and their possible causes. The most likely cause is listed first, in boldface type.

Note: Do the FRU replacement or other actions in the sequence shown in the column headed “FRU or action, in sequence.” If replacing a FRU does not solve the problem, put the original part back in the computer. Do not replace a nondefective FRU.

This index can also help you determine, during regular servicing, what FRUs are likely to need to be replaced next.

A numeric error is displayed for each error detected in POST or system operation. In the displays, **n** can be any number.

If no numeric code is displayed, check the narrative descriptions of symptoms. If the symptom is not described there, go to “Intermittent problems” on page 52.

Note

For an IBM device not supported by diagnostic codes in the ThinkPad notebook computers, see the manual for that device.

Numeric error codes

Symptom or error	FRU or action, in sequence
0175 Bad CRC1, stop POST task — The EEPROM checksum is not correct.	System board.
0187 EAIA data access error — The access to EEPROM has failed.	System board.
0188 Invalid RFID serialization information area or bad CRC2 — The EEPROM checksum is not correct.	System board.
0189 Invalid RFID configuration information area — The EEPROM checksum is not correct.	System board.

(continued)

Symptom or error	FRU or action, in sequence
0190 Critical low battery error.	<ol style="list-style-type: none"> 1. Charge the battery pack. 2. Battery pack.
0200 Hard disk error — The hard disk is not working.	<ol style="list-style-type: none"> 1. Reseat the hard-disk drive. 2. Load Setup Defaults in IBM BIOS Setup Utility. 3. Hard-disk drive. 4. System board.
021x Stuck key — Keyboard error.	Run interactive tests of the keyboard and the auxiliary input device.
0220 Monitor type error — Monitor type does not match the one specified in CMOS.	Load Setup Defaults in IBM BIOS Setup Utility.
0230 Shadow RAM error — The shadow RAM failure at offset nnnn.	System board.
0231 System RAM failure at offset nnnn.	<ol style="list-style-type: none"> 1. DIMM. 2. System board.
0232 Extended RAM error — Extended RAM failure at offset nnnn.	<ol style="list-style-type: none"> 1. DIMM. 2. System board.
0250 System battery error — System battery is dead.	Replace the backup battery and run IBM BIOS Setup Utility to reset the time and date.
0251 System CMOS checksum bad—Default configuration used.	Replace the backup battery and run IBM BIOS Setup Utility to reset the time and date.
0252 Password checksum bad — The password is cleared.	Reset the password by running IBM BIOS Setup Utility.
0260 System timer error.	<ol style="list-style-type: none"> 1. Replace the backup battery and run IBM BIOS Setup Utility to reset the time and date. 2. System board.
0270 Real-time clock error.	<ol style="list-style-type: none"> 1. Replace the backup battery and run IBM BIOS Setup Utility to reset the time and date. 2. System board.
0271 Date and time error — Neither the date nor the time is set in the computer.	Run IBM BIOS Setup Utility to reset the time and date.

(continued)

Symptom or error	FRU or action, in sequence
0280 Previous boot incomplete — Default configuration used.	<ol style="list-style-type: none"> 1. Load Setup Defaults in IBM BIOS Setup Utility. 2. DIMM. 3. System board.
02D0 System cache error.	
02B2 Incorrect drive A type.	<ol style="list-style-type: none"> 1. Diskette drive. 2. External FDD cable. 3. I/O card.
02F4 EISA CMOS not writable.	<ol style="list-style-type: none"> 1. Load Setup Defaults in IBM BIOS Setup Utility. 2. Replace the backup battery. 3. System board.
02F5 DIMM test failure.	<ol style="list-style-type: none"> 1. DIMM. 2. System board.
02F6 Software NMI failure.	<ol style="list-style-type: none"> 1. DIMM. 2. System board.
02F7 Fail-safe timer NMI failure.	<ol style="list-style-type: none"> 1. DIMM. 2. System board.
1801 Attached docking station is not supported.	Shut down the computer and remove it from the docking station.

Error messages

Symptom or error	FRU or action, in sequence
Device address conflict.	<ol style="list-style-type: none"> 1. Load Setup Defaults in IBM BIOS Setup Utility. 2. Backup battery. 3. System board.
Allocation error for device.	<ol style="list-style-type: none"> 1. Load Setup Defaults in IBM BIOS Setup Utility. 2. Backup battery. 3. System board.
Failing bits: nnnn.	<ol style="list-style-type: none"> 1. DIMM. 2. System board.
Invalid system configuration data.	<ol style="list-style-type: none"> 1. DIMM. 2. System board.
I/O device IRQ conflict.	<ol style="list-style-type: none"> 1. Load Setup Defaults in IBM BIOS Setup Utility. 2. Backup battery. 3. System board.
Operating system not found.	<ol style="list-style-type: none"> 1. Check that the operating system has no failure and is installed correctly. 2. Enter IBM BIOS Setup Utility and see whether the hard-disk drive and the diskette drive are properly identified. 3. Reseat the hard-disk drive. 4. Reinstall the operating system. 5. Diskette drive. 6. Hard-disk drive. 7. System board.
Hibernation error.	<ol style="list-style-type: none"> 1. Restore the system configuration to what it was before the computer entered hibernation mode. 2. If memory size has been changed, re-create the hibernation file.
Fan error.	Fan.
Unsupported memory configuration.	<p>Shut down the computer and remove the extra memory. Maximum memory size is:</p> <ul style="list-style-type: none"> • 256 MB for A21e series and the low-end models of A22e. • 512 MB for the high-end models of A22e.

Beep symptoms

Symptom or error	FRU or action, in sequence
One beep and a blank, unreadable, or flashing LCD.	<ol style="list-style-type: none"> 1. Reseat the LCD connector. 2. LCD assembly. 3. External CRT. 4. System board.
One long and two short beeps, and a blank or unreadable LCD.	<ol style="list-style-type: none"> 1. System board. 2. LCD assembly. 3. DIMM.
Two short beeps with error codes.	POST error. See “Numeric error codes” on page 46.
Two short beeps with blank screen.	<ol style="list-style-type: none"> 1. System board. 2. DIMM.
Two or more beeps, or a continuous beep. Operating System starts successfully.	If a mini-PCI Ethernet card is installed, confirm that Alert On LAN 2 in IBM BIOS Setup Utility is disabled .
Three short beeps, pause, three more short beeps, and one short beep.	<ol style="list-style-type: none"> 1. DIMM. 2. System board
Only cursor appears.	Reinstall operating system.

No beep symptoms

Symptom or error	FRU or action, in sequence
No beep, power-on indicator on, LCD blank, and no POST.	<ol style="list-style-type: none"> 1. Make sure that every connector is connected tightly and correctly. 2. DIMM. 3. System board.
No beep, power-on indicator on, and LCD blank during POST.	<ol style="list-style-type: none"> 1. Reseat DIMM. 2. System board.
No beep during POST, but system runs correctly.	Speaker.
The power-on password prompt.	A power-on password or a supervisor password is set. Type the password and press Enter .
The hard-disk password prompt.	A hard-disk password is set. Type the password and press Enter .
The DOS full screen looks smaller.	Start the ThinkPad Configuration program and set the Screen expansion function.

LCD-related symptoms

Important

The TFT LCD for the notebook computer contains many thin-film transistors (TFTs). A small number of dots that are missing, discolored, or always lighted is characteristic of TFT LCD technology, but excessive pixel problems can cause viewing concerns. The LCD should be replaced if the number of missing, discolored, or lighted dots in any background is:

- **SVGA:** 5 or more bright dots, 5 or more dark dots, or a total of 9 or more bright and dark dots.
- **XGA:** 8 or more bright dots, 8 or more dark dots, or a total of 9 or more bright and dark dots.

Note: Bright dots means pixel is always on (white or color.) Dark dots means pixel is always off (black color.)

Symptom or error	FRU or action, in sequence
No beep, power-on indicator on, and a blank LCD during POST.	System board.
<ul style="list-style-type: none"> • LCD backlight not working. • LCD too dark. • LCD brightness cannot be adjusted. • LCD contrast cannot be adjusted. 	<ol style="list-style-type: none"> 1. Reseat the LCD connectors. 2. LCD assembly. 3. System board.
<ul style="list-style-type: none"> • LCD screen unreadable. • Characters missing pixels. • Screen abnormal. • Wrong color displayed. 	<ol style="list-style-type: none"> 1. See important note for “LCD-related symptoms”. 2. Reseat all LCD connectors. 3. LCD assembly. 4. System board.
Horizontal or vertical lines displayed on LCD.	LCD assembly.

Intermittent problems

Intermittent system hang problems can be due to a variety of causes that have nothing to do with a hardware defect, such as cosmic radiation, electrostatic discharge, or software errors. FRU replacement should be considered only when a problem recurs.

When analyzing an intermittent problem, do the following:

1. Run the diagnostic test for the system board in loop mode **at least 10 times**.
2. If no error is detected, do **not** replace any FRUs.
3. If any error is detected, replace the FRU shown by the FRU code. Rerun the test to verify that no more errors exist.

Undetermined problems

You are here because the diagnostic tests did not identify which adapter or device failed, wrong devices are installed, a short circuit is suspected, or the system is inoperative. Follow these procedures to isolate the failing FRU (do not isolate FRUs that have no defects).

Verify that all attached devices are supported by the computer.

Verify that the power supply being used at the time of the failure is operating correctly. (See "Power system checkout" on page 34.)

1. Power off the computer.
2. Visually check each FRU for damage. Replace any damaged FRU.
3. Remove or disconnect all of the following devices:
 - a. Non-IBM devices
 - b. Devices attached to the port replicator
 - c. Printer, mouse, and other external devices
 - d. Battery pack
 - e. Hard-disk drive
 - f. External diskette drive
 - g. DIMM
 - h. CD-ROM and diskette drive in the Ultrabay 2000
 - i. PC Cards
4. Power on the computer.
5. Determine whether the problem has changed.
6. If the problem does not recur, reconnect the removed devices one at a time until you find the failing FRU.
7. If the problem remains, replace the following FRUs one at a time (do not replace a nondefective FRU):
 - a. System board
 - b. LCD assembly

FRU replacement notices

This section contains notices related to removing and replacing parts. Read this section carefully before replacing any FRU.

Screw notices

Loose screws can cause a reliability problem. In IBM ThinkPad computer, this problem is addressed with special nylon-coated screws that have the following characteristics:

- They maintain tight connections.
- They do not easily come loose, even with shock or vibration.
- They are harder to tighten.
- They should be used only once.

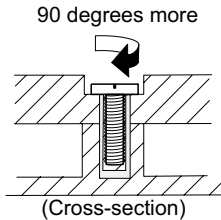
Do the following when you service this machine:

- Keep the screw kit (for the P/N, see “Miscellaneous parts” on page 131) in your tool bag.
- Always use new screws.
- Use a torque screwdriver if you have one.

Tighten screws as follows:

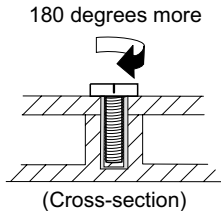
- **Plastic to plastic**

Turn an additional **90 degrees** after the screw head touches the surface of the plastic part:



- **Logic card to plastic**

Turn an additional **180 degrees** after the screw head touches the surface of the logic card:



- **Torque driver**

If you have a torque driver, refer to the “Torque” column for each step.

- Make sure you use the correct screw. If you have a torque screwdriver, tighten all screws firmly to the torque shown in the table. **Never use a screw that you removed. Use a new one. Make sure the screws are tightened firmly.**

Retaining serial numbers

This section includes the following descriptions:

- “Restoring the serial number of the system unit”
- “Retaining the UUID”

Restoring the serial number of the system unit

When the computer was manufactured, the EEPROM on the system board was loaded with the serial numbers of the system and all major components. These numbers need to remain the same throughout the life of the computer.

If you replace the system board, you must restore the serial number of the system unit to its original value.

Before replacing the system board, save the original serial number by doing the following:

1. Install the ThinkPad hardware maintenance diskette version 1.61, and restart the computer.
2. From the main menu, select **1. Set System Identification**.
3. Select **2. Read S/N data from EEPROM**.

The serial number for each device is displayed. Write down the serial number of the system unit, designated as follows:

20: System unit serial number

After you have replaced the system board, restore the serial number by doing the following:

1. Install the ThinkPad hardware maintenance diskette version 1.61 and restart the computer.
2. From the main menu, select **1. Set System Identification**.
3. Select **1. Add S/N data from EEPROM**.

Follow the instructions on the screen.

Note: The serial number of the system unit is written on the label attached on the bottom of the computer.

Retaining the UUID

The Universally Unique Identifier (UUID) is a 128-bit number uniquely assigned to your computer at production and stored in the EEPROM of your system board. The algorithm that generates the number is designed to provide

unique IDs until the year A.D. 3400. No two computers in the world have the same number.

When you replace the system board, you must set the UUID on the new system board as follows:

1. Install the ThinkPad hardware maintenance diskette version 1.61, and restart the computer.
2. From the main menu, select **4. Assign UUID**.

A new UUID is created and written. If a valid UUID already exists, it is not overwritten.

Removing and replacing a FRU

This section presents directions and drawings for use in removing and replacing a FRU. Be sure to observe the following general rules:

1. Do not try to service any computer unless you have been trained and certified. An untrained person runs the risk of damaging parts.
2. Before replacing any FRU, review “FRU replacement notices” on page 53.
3. Begin by removing any FRUs that have to be removed before the failing FRU. Any such FRUs are listed at the top of the page. Remove them in the order in which they are listed.
4. Follow the correct sequence in the steps for removing the FRU, as indicated in the drawings by the numbers in square callouts.
5. When turning a screw to replace a FRU, turn it in the direction indicated by the arrow in the drawing.
6. When removing the FRU, move it in the direction indicated by the arrow in the drawing.
7. To put the new FRU in place, reverse the removal procedure and follow any notes that pertain to replacement. For information about connecting and arranging internal cables, see “Locations” on page 115.
8. When replacing a FRU, use the correct screw as shown in the procedures.

DANGER:

Before removing any FRU, power off the computer, unplug all power cords from electrical outlets, remove the battery pack, and then disconnect any interconnecting cables.

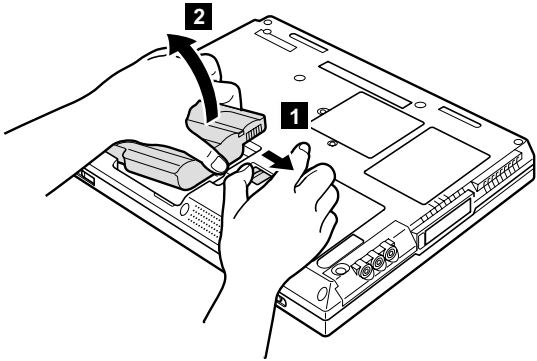
Attention: Before the computer is powered on after FRU replacement, make sure that all screws, springs, and other small parts are in place and are not loose inside the computer. Verify this by shaking the computer gently and listening for rattling sounds. Metallic parts or metal flakes can cause electrical short circuits.

Attention: The system board is sensitive to, and can be damaged by, electrostatic discharge. Before touching it, establish personal grounding by touching a ground point with one hand or by using an electrostatic discharge (ESD) strap (P/N 6405959).

1010 Battery pack

⚠ DANGER:

Use only the battery in the parts listing for the computer you are servicing. The use of an incorrect battery can result in ignition or explosion of the battery.



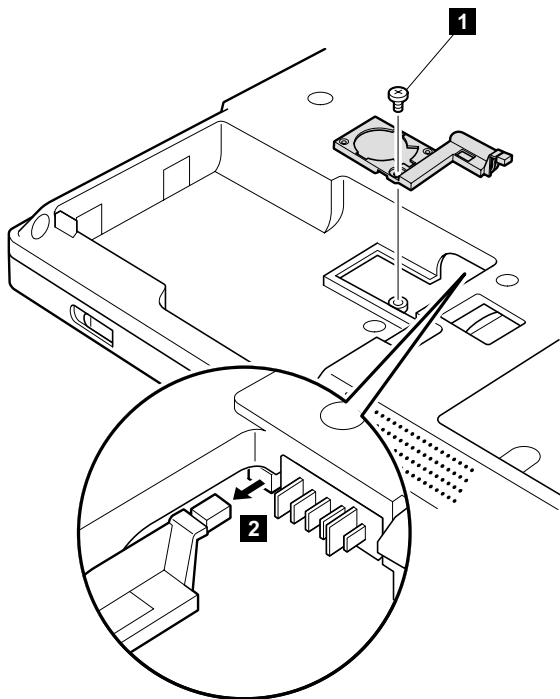
1020 Backup battery

DANGER:

Use only the battery in the parts listing for the computer you are servicing. The use of an incorrect battery can result in ignition or explosion of the battery.

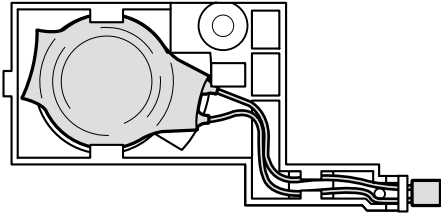
For access, remove this FRU:

- “1010 Battery pack” on page 57



Step	Screw (quantity)	Torque
1	M2.5 x 3.5 mm, nylon-coated (1)	39.2 Ncm (4 kgfcm)

Cable routing: When replacing the cable, route it as in this drawing:



1030 Hard-disk drive

Attention

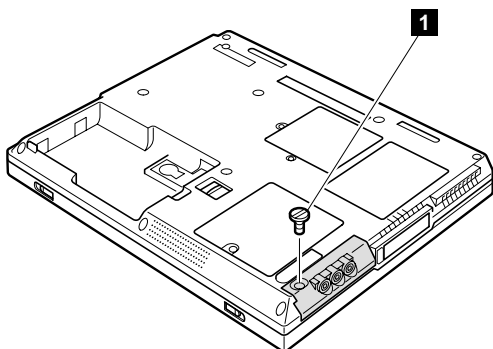
Do not drop or apply any shock to the hard-disk drive. The hard-disk drive is sensitive to physical shock. Incorrect handling can cause damage and permanent loss of data.

Before removing the drive, have the user make a backup copy of all the information on the drive if possible.

Never remove the drive while the system is operating or is in suspend mode.

For access, remove this FRU:

- “1010 Battery pack” on page 57

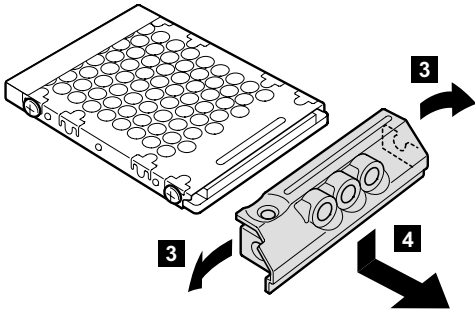
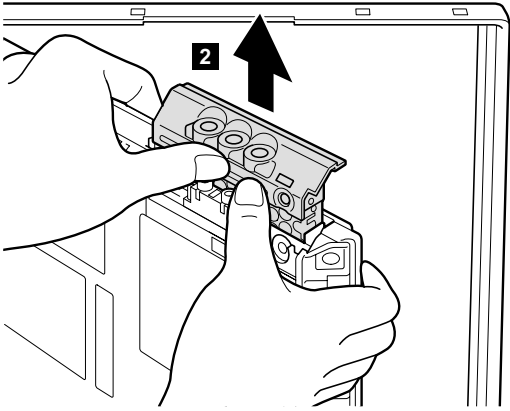


Note: The hard disk is attached to the cover.

Step	Screw (quantity)
1	Coin screw (1) or security screw (1)
Note: Use a 2.5-mm Allen wrench to remove the security screw.	

(continued)

When removing the hard-disk drive, open the LCD a little as shown in the figure.



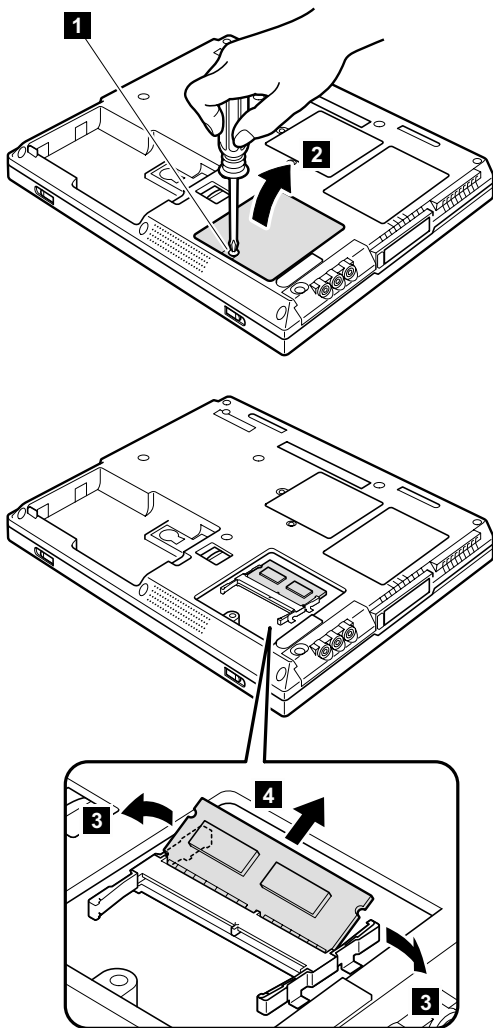
When installing: Make sure that the hard-disk connector is firmly connected.

1040 DIMM

For access, remove this FRU:

- “1010 Battery pack” on page 57

Note: Loosen the screw **1**, but do not remove it.



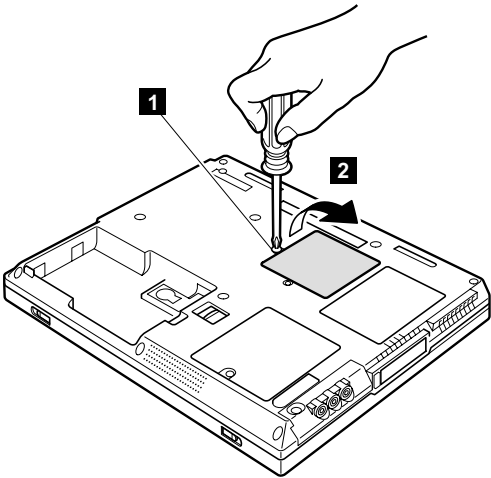
When installing: Make sure that the card is firmly fixed in the slot and cannot be moved easily.

1050 Mini PCI adapter

For access, remove this FRU:

- “1010 Battery pack” on page 57

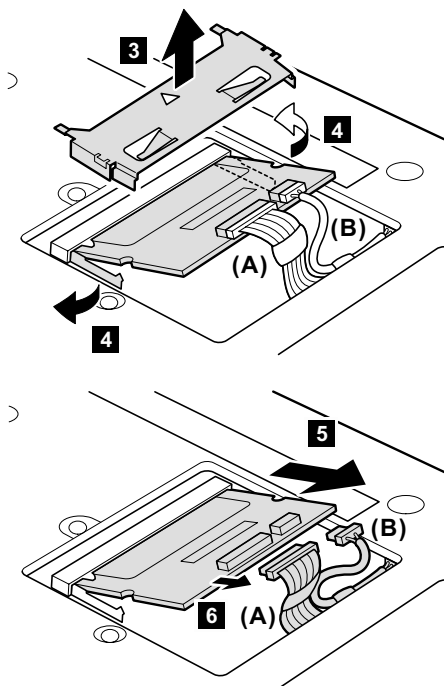
Note: Loosen the screw **1**, but do not remove it.



(continued)

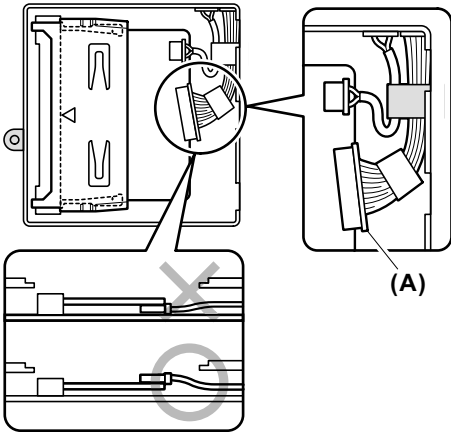
Notes:

1. The following two illustrations show the combo card. Connector **(A)** is for the LAN feature and **(B)** is for the modem feature. Disconnect either **(A)** or **(B)** in step **6**. This slot also supports a Mini PCI modem card or Mini PCI network card.
2. Step **3** is only for MT2655-21x, 22x, 23x, 31x, 32x, 33x, 41x, 42x, 43x, 71x, 72x, 73x, 81x, 82x, 83x, 91x, 92x, 93x, B2x, B4x, P3J. Other models do not have the bracket.



When installing:

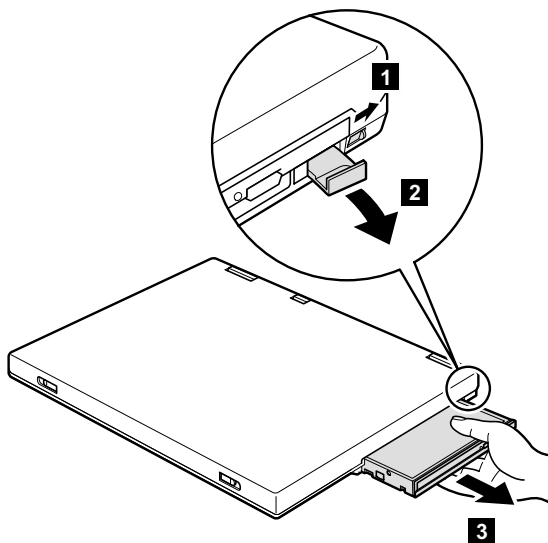
1. Make sure that the card is firmly fixed in the slot and cannot be moved easily.
2. Make sure not to pinch the connector cable **(A)** under the Mini PCI adapter. Place the cable **(A)** as shown in the following figure.



1060 Ultrabay 2000 device

Any of several devices can be inserted into the Ultrabay 2000. The procedure for installing and removing is the same for every device.

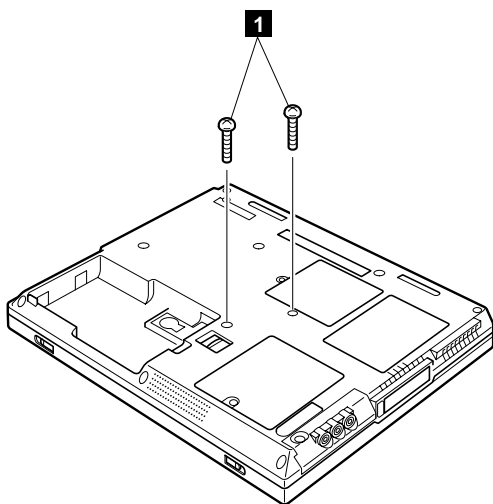
Note: When you release the switch in step **1** the lever pops out. Pull the lever a little in step **2** to release the device from the bay.



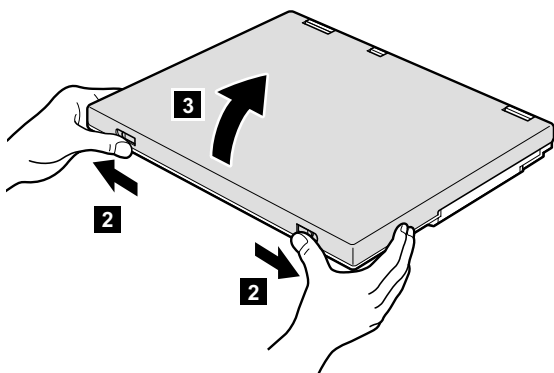
1070 Keyboard

For access, remove these FRUs, in order:

- “1010 Battery pack” on page 57
- “1020 Backup battery” on page 58
- “1030 Hard-disk drive” on page 60
- “1060 Ultrabay 2000 device” on page 66

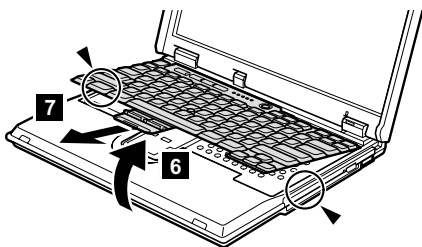
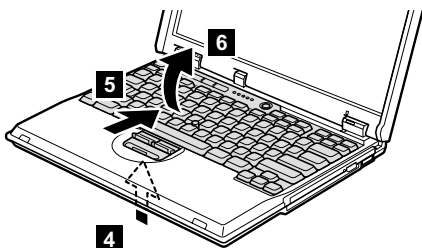
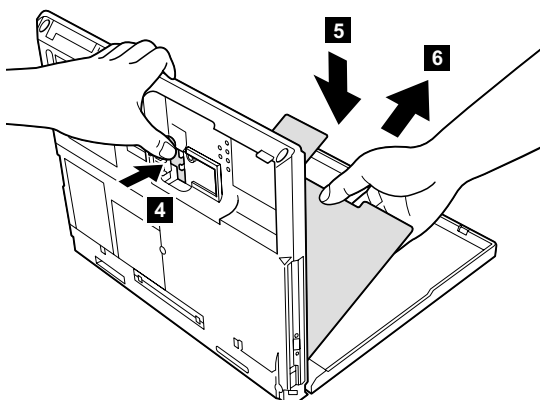


Step	Screw (quantity)	Torque
1	M2.5 × 14 mm, nylon-coated (2)	39.2 Ncm (4 kgfcm)

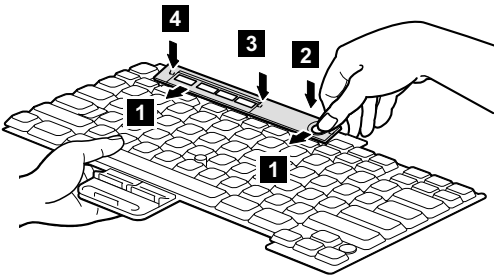
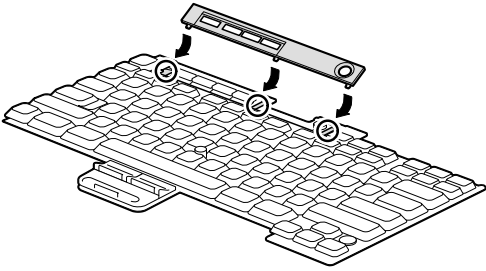


(continued)

Removing and replacing a FRU

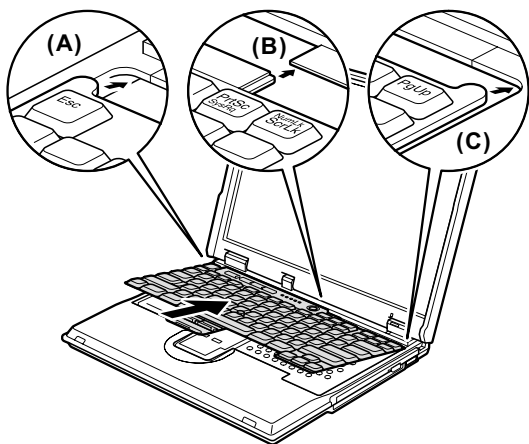


When installing the easy-button cover, do as follows:

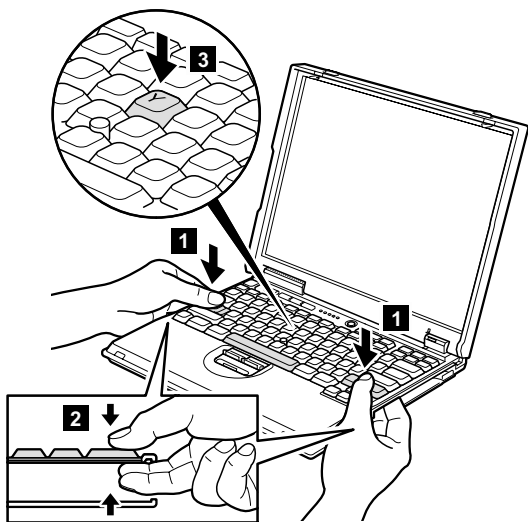


When installing: When installing the keyboard, do as follows:

1. Install the new keyboard, following the directions in the figure. Make sure that the keyboard edges, shown in the figure as (A), (B), and (C), are under the frame.

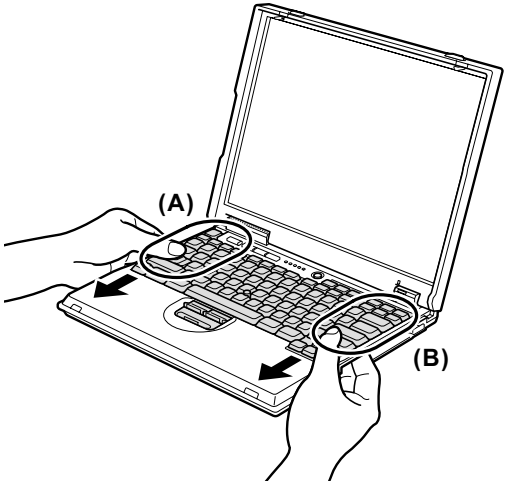


2. Insert your fingers into the PC Card slot on the left of the computer and the Ultrabay 2000 slot on the right of the computer as shown in **1**. Then, with your fingers in those slots as in **2**, latch the keyboard in place by using your thumbs to press firmly on the **Shift** keys. Press the **Y** key to connect the keyboard to the connector on the under side of the key **3**.



(continued)

3. To make sure that the front side of the keyboard is housed firmly, gently press the **Shift** keys with your thumbs and try to slide the keyboard towards you. Do not push parts **(A)** and **(B)** on the keyboard strongly; to do so might cause distortion of the Ultrabay 2000 slot and the PC Card slot.

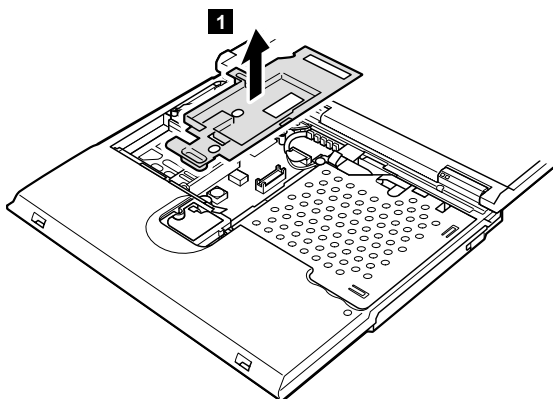


4. After the fastening of two screws of bottom side, push the **Y** key again to connect the keyboard firmly to the connector on the underside of the key.

1080 Keyboard CRU insulator

For access, remove these FRUs, in order:

- “1010 Battery pack” on page 57
- “1020 Backup battery” on page 58
- “1030 Hard-disk drive” on page 60
- “1060 Ultrabay 2000 device” on page 66
- “1070 Keyboard” on page 67

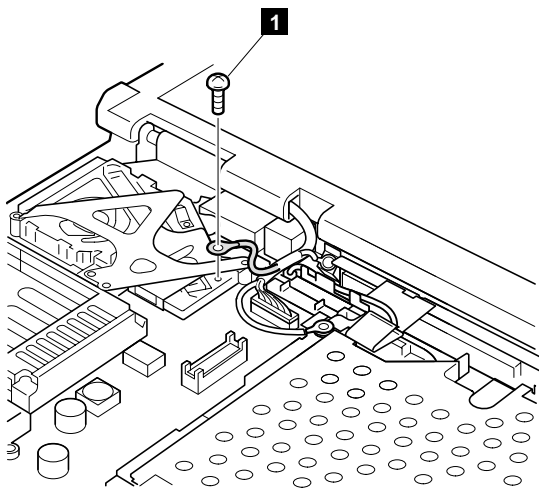


1090 Fan assembly

For access, remove these FRUs, in order:

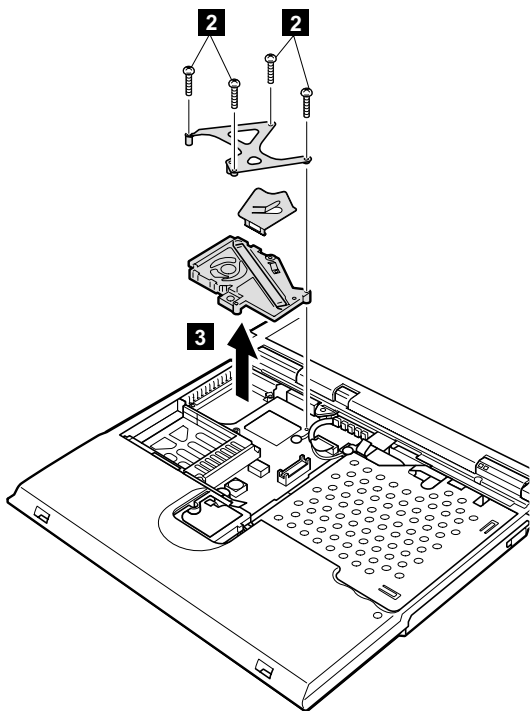
- “1010 Battery pack” on page 57
- “1020 Backup battery” on page 58
- “1030 Hard-disk drive” on page 60
- “1060 Ultrabay 2000 device” on page 66
- “1070 Keyboard” on page 67
- “1080 Keyboard CRU insulator” on page 72

For models excepting MT2655-65x, 66x, 67x, B5x, B6x, B7x



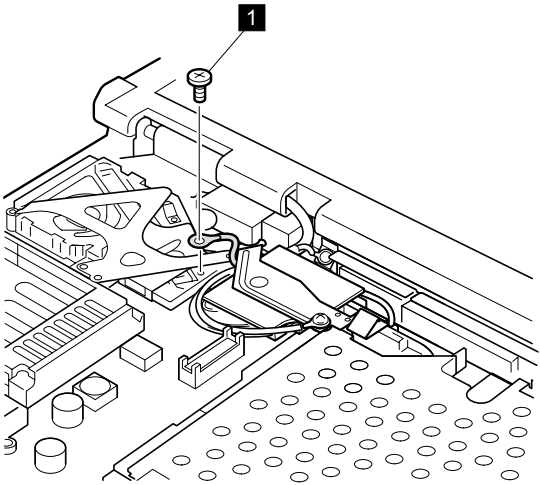
Step	Screw (quantity)	Torque
1	M2.5 × 3.5 mm, nylon-coated (1)	39.2 Ncm (4 kgfcm)

(continued)



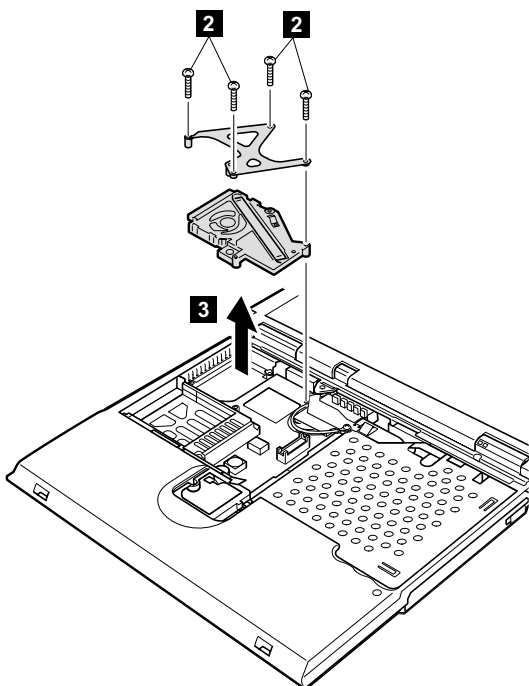
Step	Screw (quantity)	Torque
2	M2.0 x 13.5 mm, nylon-coated (4)	24.5 Ncm (2.5 kgfcm)

For MT2655-65x, 66x, 67x, B5x, B6x, B7x



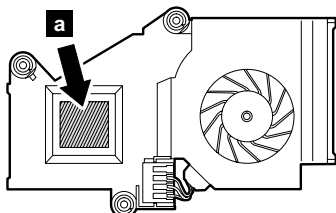
Step	Screw (quantity)	Torque
1	M2.5 × 3.5 mm, nylon-coated (1)	39.2 Ncm (4 kgfcm)

(continued)



Step	Screw (quantity)	Torque
2	M2.0 × 13.5 mm, nylon-coated (4)	24.5 Ncm (2.5 kgfcm)

When installing: When installing the fan assembly, apply the thermal grease (05K5751) on the **a**-part of the fan as shown in the following figure.



1100 CPU

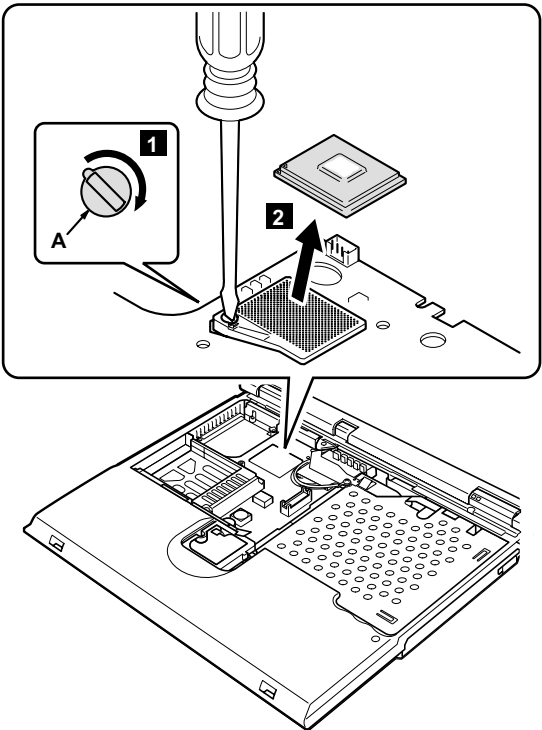
Note

This section is only for MT2655-45x, 46x, 47x, 48x, 4Ax, 55x, 56x, 57x, 58x, 5Ax, 65x, 66x, 67x, 95x, 96x, 97x, 98x, 9Ax, A5x, A6x, A7x, A8x, AAx, B5x, B6x, B7x, E7x, F7x, M7x, P7J, PAJ.

For access, remove these FRUs, in order:

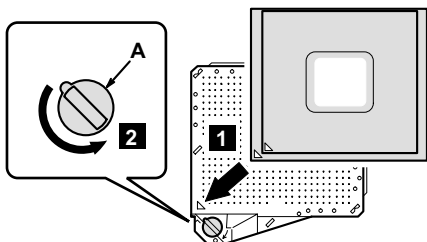
- “1010 Battery pack” on page 57
- “1020 Backup battery” on page 58
- “1030 Hard-disk drive” on page 60
- “1060 Ultrabay 2000 device” on page 66
- “1070 Keyboard” on page 67
- “1080 Keyboard CRU insulator” on page 72
- “1090 Fan assembly” on page 73

Rotate the head of the screw (A) to the direction of the arrow **1** to release the lock and then remove the CPU **2**.



When installing:

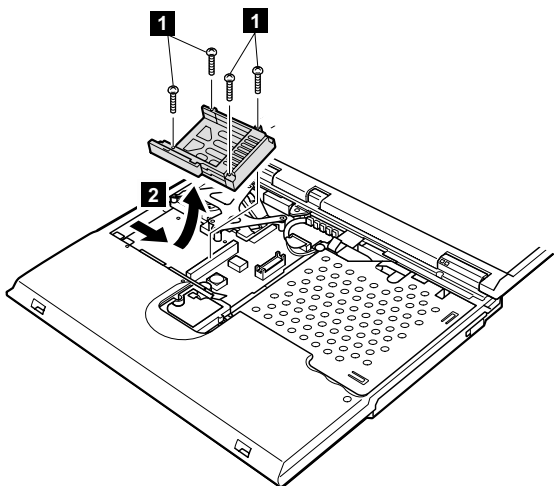
1. When attaching the CPU to the socket, do as shown in the step **1** in this figure.
2. Rotate the the head of the screw (**A**) to the direction of the arrow **2** to lock the CPU.



1110 PC Card slot assembly

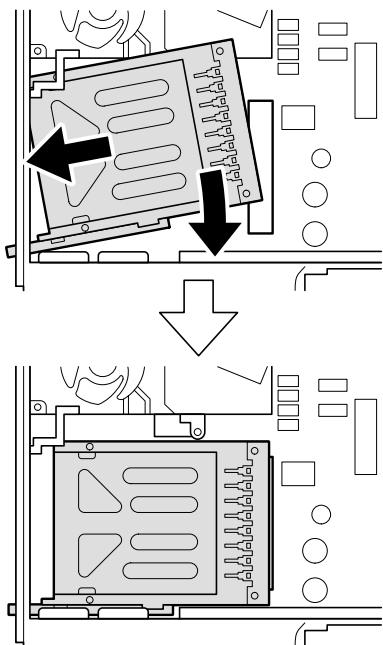
For access, remove these FRUs, in order:

- “1010 Battery pack” on page 57
- “1020 Backup battery” on page 58
- “1030 Hard-disk drive” on page 60
- “1060 Ultrabay 2000 device” on page 66
- “1070 Keyboard” on page 67
- “1080 Keyboard CRU insulator” on page 72



Step	Screw (quantity)	Torque
1	M2.0 × 13.5 mm, nylon-coated (4)	24.5 Ncm (2.5 kgfcm)

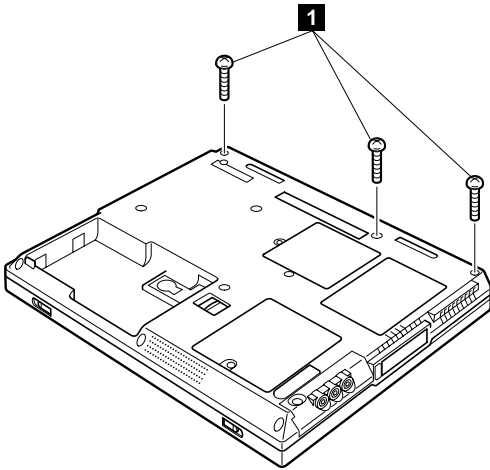
When installing the PC Card slot assembly, do as shown in the figure.



1120 Hinge cover

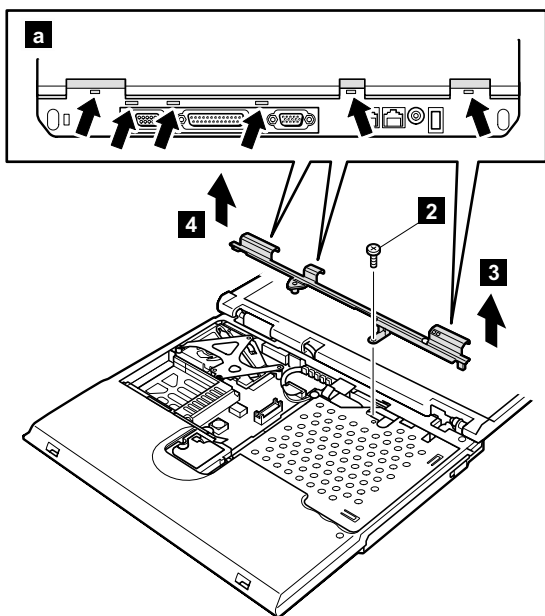
For access, remove these FRUs, in order:

- “1010 Battery pack” on page 57
- “1020 Backup battery” on page 58
- “1030 Hard-disk drive” on page 60
- “1060 Ultrabay 2000 device” on page 66
- “1070 Keyboard” on page 67
- “1080 Keyboard CRU insulator” on page 72



Step	Screw (quantity)	Torque
1	M2.5 × 14 mm, nylon-coated (3)	39.2 Ncm (4 kgfcm)

(continued)



Step	Screw (quantity)	Torque
2	M2.5 × 4.8 mm, nylon-coated (1)	39.2 Ncm (4 kgfcm)

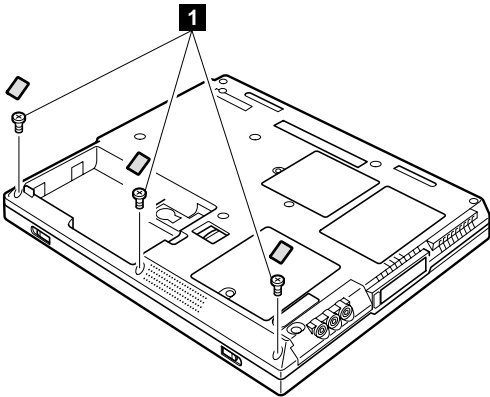
When installing, do as follows;

- Install the hinge cover according to the procedure **3**, **4** and then tighten the screw **2**. In procedure **3**, take care not to damage the lens.
- Make sure that all of the latches **a** are firmly attached and snap into place.

1130 Keyboard bezel

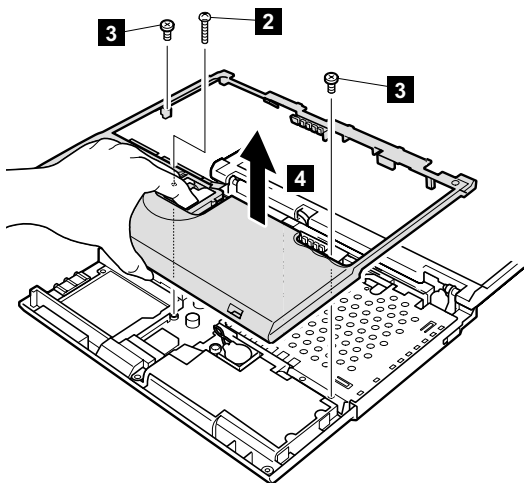
For access, remove these FRUs, in order:

- “1010 Battery pack” on page 57
- “1020 Backup battery” on page 58
- “1030 Hard-disk drive” on page 60
- “1060 Ultrabay 2000 device” on page 66
- “1070 Keyboard” on page 67
- “1080 Keyboard CRU insulator” on page 72
- “1120 Hinge cover” on page 81



Step	Screw (quantity)	Torque
1	M2.5 × 3.5 mm, nylon-coated (3)	39.2 Ncm (4 kgfcm)

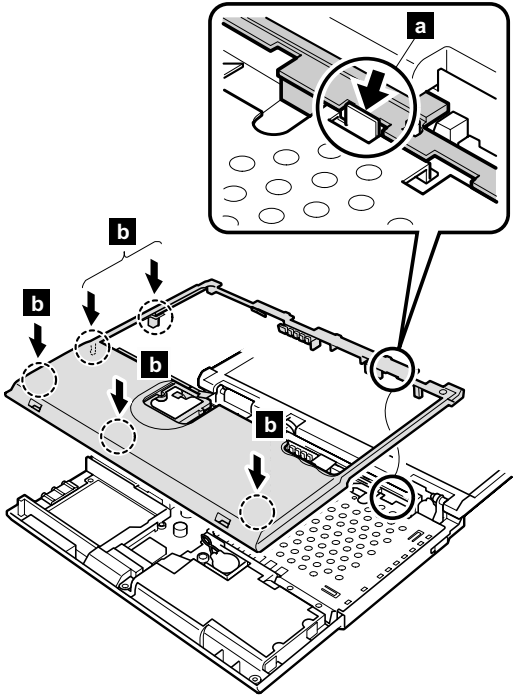
(continued)



Step	Screw (quantity)	Torque
2	M2.5 x 14 mm, nylon-coated (1)	39.2 Ncm (4 kgfcm)
3	M2.5 x 4.8 mm, nylon-coated (2)	39.2 Ncm (4 kgfcm)

When installing, do as following;

- Make sure that the **a** -part is firmly attached as shown in the figure.
- Make sure that all of the latches of the keyboard bezel **b** are firmly attached.

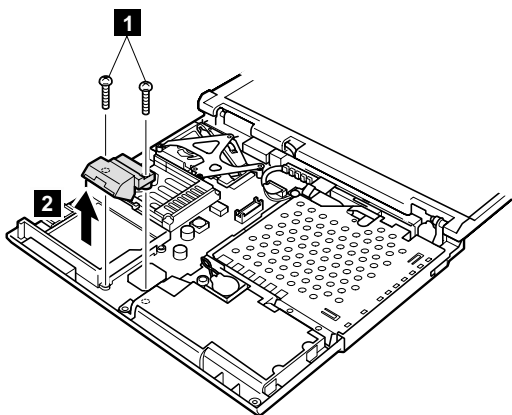


1140 Speaker

For access, remove these FRUs, in order:

- “1010 Battery pack” on page 57
- “1020 Backup battery” on page 58
- “1030 Hard-disk drive” on page 60
- “1060 Ultrabay 2000 device” on page 66
- “1070 Keyboard” on page 67
- “1080 Keyboard CRU insulator” on page 72
- “1120 Hinge cover” on page 81
- “1130 Keyboard bezel” on page 83

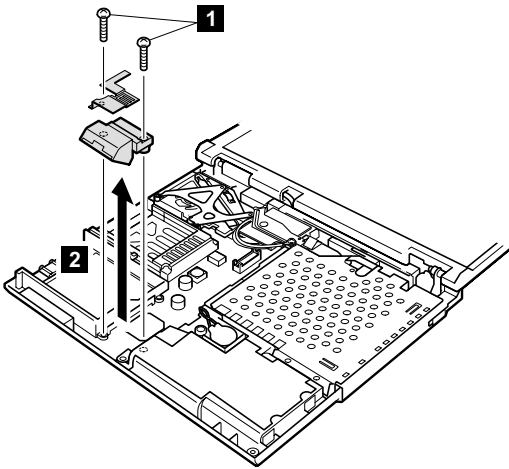
For A21e series



Step	Screw (quantity)	Torque
1	M2.5 x 14 mm, nylon-coated (2)	39.2 Ncm (4 kgfcm)

For A22e and i 1800 series

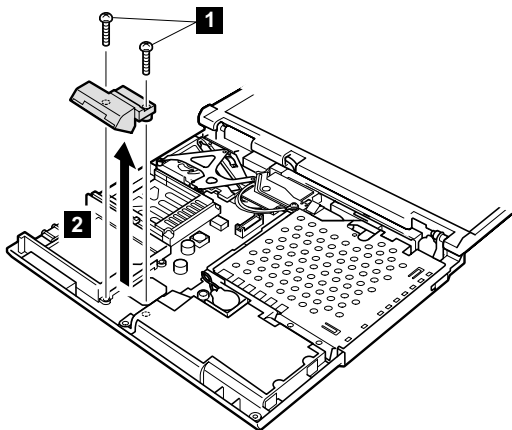
For MT2655-25x, 26x, 27x, 35x, 36x, 37x, 75x, 76x, 77x, 85x, 86x, 87x, D7x, H7x, J7x, P3J, MT2663-77x, MT2664-77x:



Step	Screw (quantity)	Torque
1	M2.5 × 14 mm, nylon-coated (2)	39.2 Ncm (4 kgfcm)

Removing and replacing a FRU

For MT2655-45x, 46x, 47x, 48x, 4Ax, 55x, 56x, 57x, 58x, 5Ax, 65x, 66x, 67x, 95x, 96x, 97x, 98x, 9Ax, A5x, A6x, A7x, A8x, AAx, B5x, B6x, B7x, E7x, F7x, M7x, P7J, PAJ:

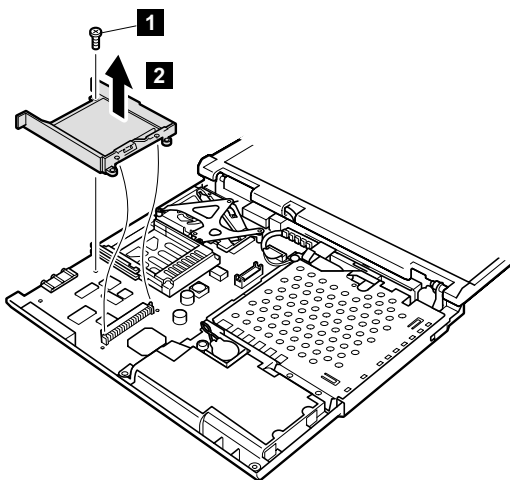


Step	Screw (quantity)	Torque
1	M2.5 x 14 mm, nylon-coated (2)	39.2 Ncm (4 kgfcm)

1150 Hard-disk bay

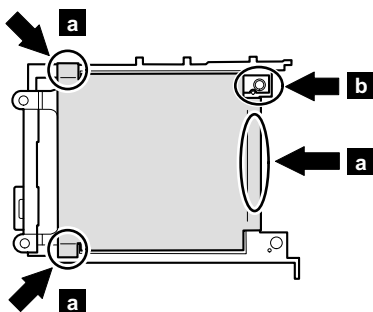
For access, remove these FRUs, in order:

- “1010 Battery pack” on page 57
- “1020 Backup battery” on page 58
- “1030 Hard-disk drive” on page 60
- “1060 Ultrabay 2000 device” on page 66
- “1070 Keyboard” on page 67
- “1080 Keyboard CRU insulator” on page 72
- “1120 Hinge cover” on page 81
- “1130 Keyboard bezel” on page 83
- “1140 Speaker” on page 86



Step	Screw (quantity)	Torque
1	M2.5 × 4.8 mm, nylon-coated (1)	39.2 Ncm (4 kgfcm)

When installing: Make sure that the **a** -parts of the insulation are not came off and the **b** -part is not turned over.



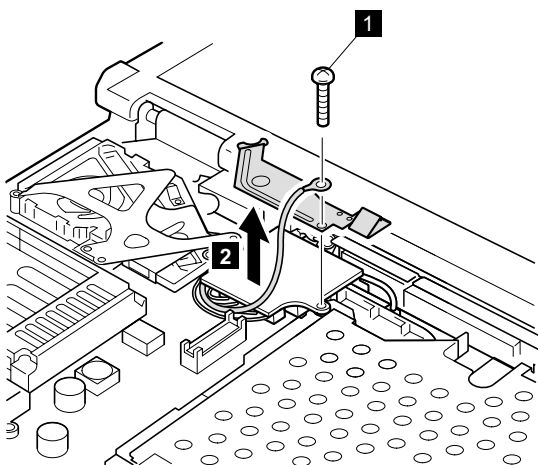
1160 LED connector card

Note

This section is only for MT2655-45x, 46x, 47x, 48x, 4Ax, 55x, 56x, 57x, 58x, 5Ax, 65x, 66x, 67x, 95x, 96x, 97x, 98x, 9Ax, A5x, A6x, A7x, A8x, AAx, B5x, B6x, B7x, E7x, F7x, M7x, P7J, PAJ. Other models do not have LED connector card.

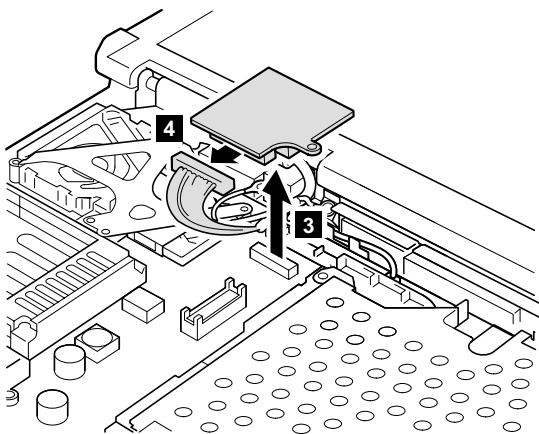
For access, remove these FRUs, in order:

- “1010 Battery pack” on page 57
- “1020 Backup battery” on page 58
- “1030 Hard-disk drive” on page 60
- “1060 Ultrabay 2000 device” on page 66
- “1070 Keyboard” on page 67
- “1080 Keyboard CRU insulator” on page 72
- “1120 Hinge cover” on page 81
- “1130 Keyboard bezel” on page 83



Step	Screw (quantity)	Torque
1	M2.5 × 14 mm, nylon-coated (1)	39.2 Ncm (4 kgfcm)

(continued)



When installing: Make sure that the connectors are firmly attached.

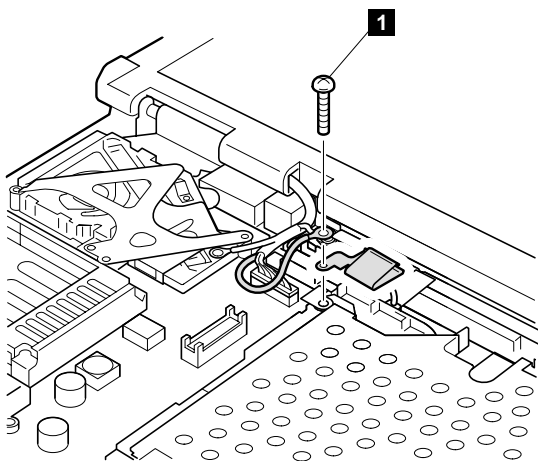
1170 Ultrabay 2000 slot

For access, remove these FRUs, in order:

- “1010 Battery pack” on page 57
- “1020 Backup battery” on page 58
- “1030 Hard-disk drive” on page 60
- “1060 Ultrabay 2000 device” on page 66
- “1070 Keyboard” on page 67
- “1080 Keyboard CRU insulator” on page 72
- “1120 Hinge cover” on page 81
- “1130 Keyboard bezel” on page 83
- “1160 LED connector card” on page 91

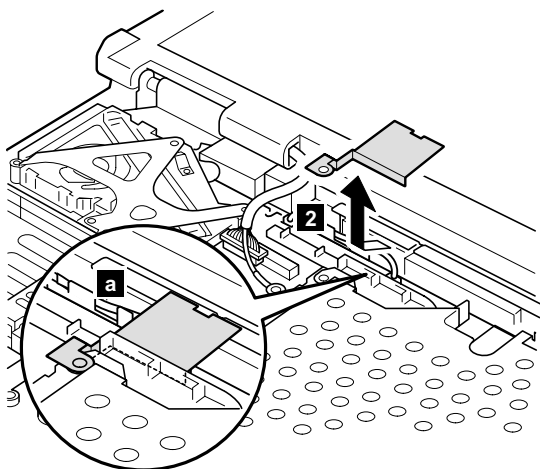
Note

Step **1** and **2** are only for MT2655-x1x, x2x, x3x, x4x, 25x, 26x, 27x, 35x, 36x, 37x, 75x, 76x, 77x, 85x, 86x, 87x, MT2663-77x, MT2664-77x. For other models, start removing from step **3**.

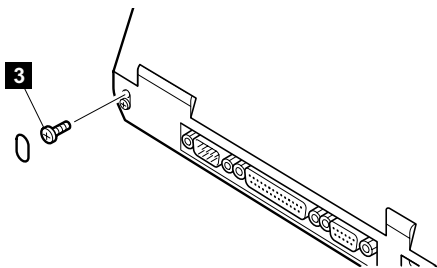


Step	Screw (quantity)	Torque
1	M2.5 x 14 mm, nylon-coated (1)	39.2 Ncm (4 kgfcm)

(continued)

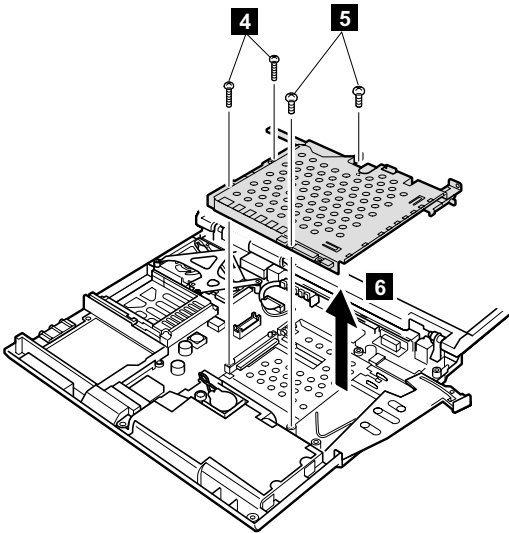


When installing: Make sure that the FPC bracket is firmly attached as shown in the figure **a**.



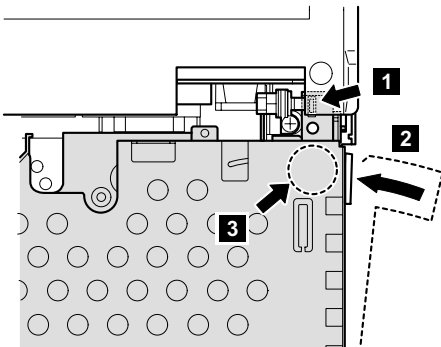
Step	Screw (quantity)	Torque
3	M2.5 x 4.8 mm, nylon-coated (1)	39.2 Ncm (4 kgfcm)

(continued)



Step	Screw (quantity)	Torque
4	M2 x 13.5 mm, nylon-coated (2)	24.5 Ncm (2.5 kgfcm)
5	M2.5 x 4.8 mm, nylon-coated (2)	39.2 Ncm (4 kgfcm)

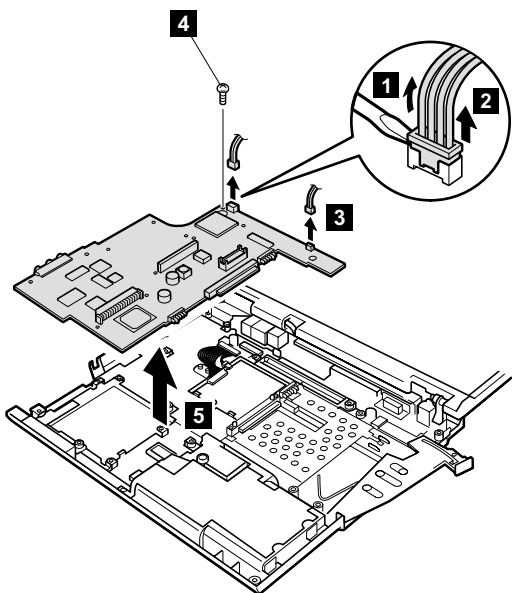
When installing: Make sure that the guide of the slot is firmly attached **1** and if the eject lever has been popped out, push it back in the direction of arrow **2** until it snaps, and then push the upper-right corner of the slot **3** to fix it firmly.



1180 System board

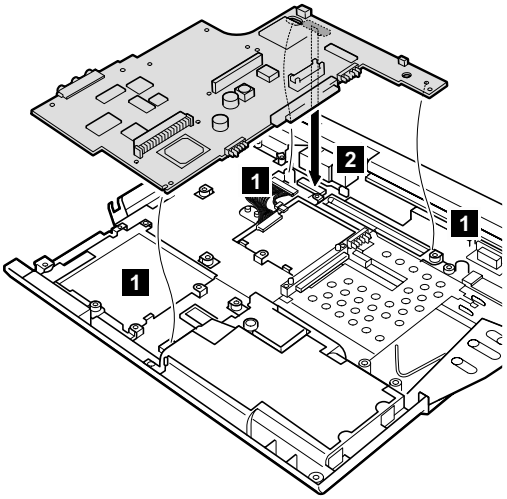
For access, remove these FRUs, in order:

- “1010 Battery pack” on page 57
- “1020 Backup battery” on page 58
- “1030 Hard-disk drive” on page 60
- “1040 DIMM” on page 62
- “1050 Mini PCI adapter” on page 63
- “1060 Ultrabay 2000 device” on page 66
- “1070 Keyboard” on page 67
- “1080 Keyboard CRU insulator” on page 72
- “1090 Fan assembly” on page 73
- “1110 PC Card slot assembly” on page 79
- “1120 Hinge cover” on page 81
- “1130 Keyboard bezel” on page 83
- “1140 Speaker” on page 86
- “1150 Hard-disk bay” on page 89
- “1160 LED connector card” on page 91
- “1170 Ultrabay 2000 slot” on page 93



Step	Screw (quantity)	Torque
4	M2.5 x 4.8 mm, nylon-coated (1)	39.2 Ncm (4 kgfcm)

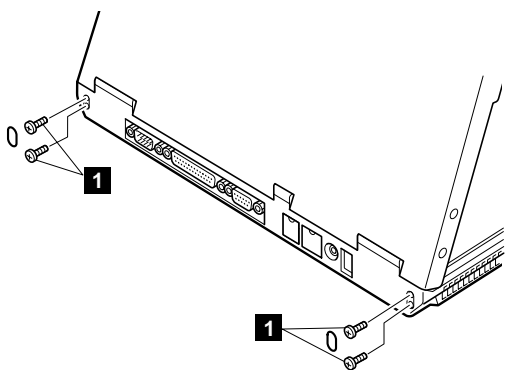
When installing: Make sure that all of the guides are firmly attached **1** and you fasten the connector firmly to the underside of the system board **2**.



2010 LCD assembly

For access, remove these FRUs, in order:

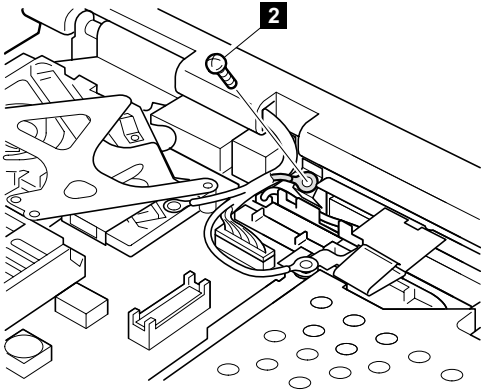
- “1010 Battery pack” on page 57
- “1020 Backup battery” on page 58
- “1030 Hard-disk drive” on page 60
- “1060 Ultrabay 2000 device” on page 66
- “1070 Keyboard” on page 67
- “1080 Keyboard CRU insulator” on page 72
- “1120 Hinge cover” on page 81
- “1130 Keyboard bezel” on page 83
- “1160 LED connector card” on page 91



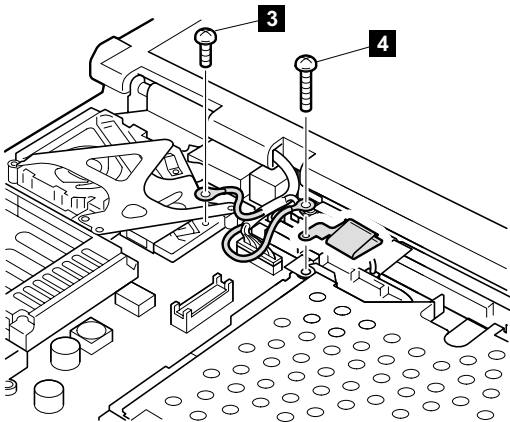
Step	Screw (quantity)	Torque
1	M2.5 × 4.8 mm, nylon-coated (4)	39.2 Ncm (4 kgfcm)

(continued)

For models excepting MT2655-45x, 46x, 47x, 48x, 4Ax, 55x, 56x, 57x, 58x, 5Ax, 65x, 66x, 67x, 95x, 96x, 97x, 98x, 9Ax, A5x, A6x, A7x, A8x, AAx, B5x, B6x, B7x, E7x, F7x, M7x, P7J, PAJ



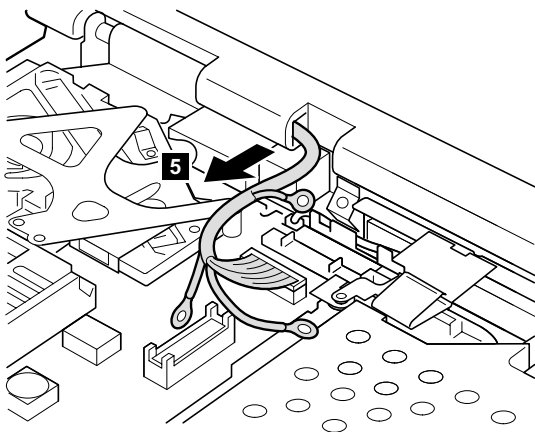
Step	Screw (quantity)	Torque
2	M2.5 × 4.8 mm, nylon-coated (1)	39.2 Ncm (4 kgfcm)



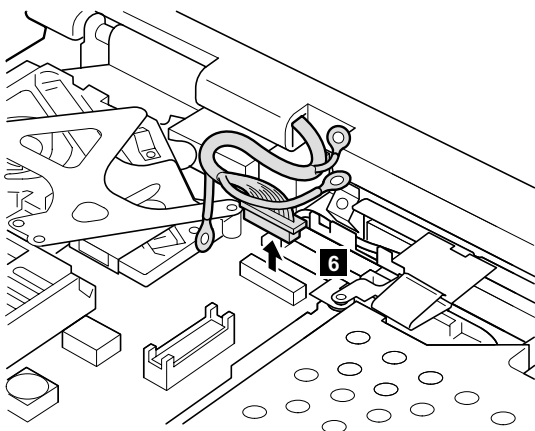
Step	Screw (quantity)	Torque
3	M2.5 × 3.5 mm, nylon-coated (1)	39.2 Ncm (4 kgfcm)
4	M2.5 × 14 mm, nylon-coated (1)	39.2 Ncm (4 kgfcm)

(continued)

Pull the bundle of LCD cable out from the cable guide of the LCD assembly in the direction of the arrow **5** as shown in the following figure.



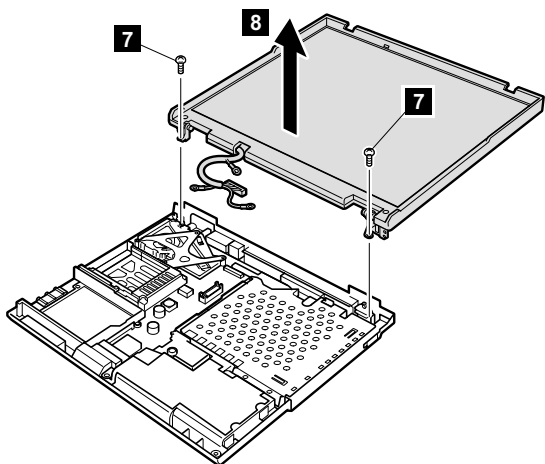
Pull the LCD cable connector up in the direction of the arrow **6** as shown in the following figure.



When installing: Make sure that the LCD cable connector is firmly attached and then tighten the screws of each terminals.

(continued)

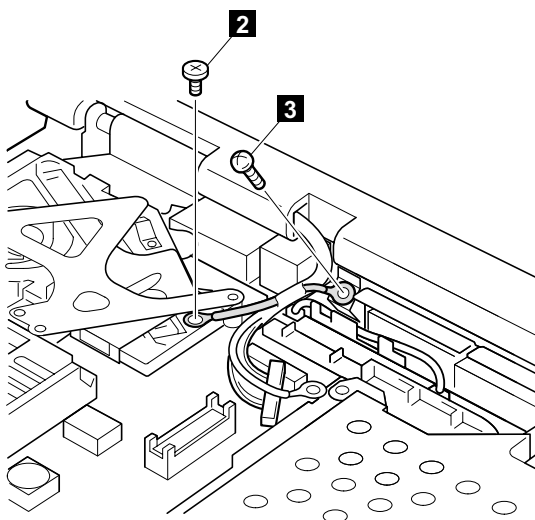
Removing and replacing a FRU



Step	Screw (quantity)	Torque
7	M2.5 × 4.8 mm, nylon-coated (2)	39.2 Ncm (4 kgfcm)

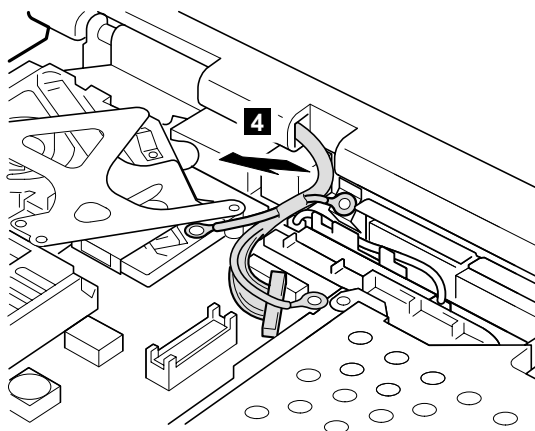
Removing and replacing a FRU

For MT2655-45x, 46x, 47x, 48x, 4Ax, 55x, 56x, 57x, 58x, 5Ax, 65x, 66x, 67x, 95x, 96x, 97x, 98x, 9Ax, A5x, A6x, A7x, A8x, AAx, B5x, B6x, B7x, E7x, F7x, M7x, P7J, PAJ

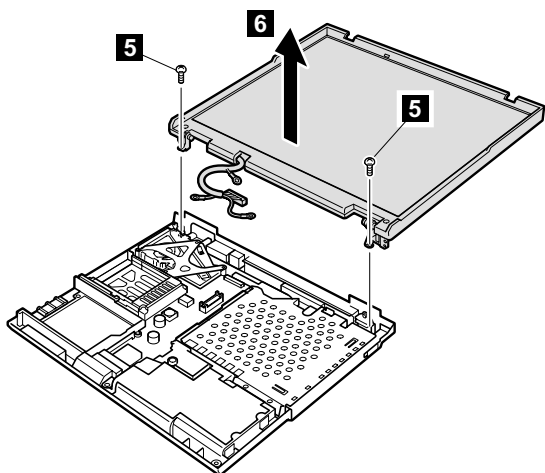


Step	Screw (quantity)	Torque
2	M2.5 x 3.5 mm, nylon-coated (1)	39.2 Ncm (4 kgfcm)
3	M2.5 x 4.8 mm, nylon-coated (1)	39.2 Ncm (4 kgfcm)

Pull the bundle of LCD cable out from the cable guide of the LCD assembly in the direction of the arrow **4** as shown in the following figure.



(continued)



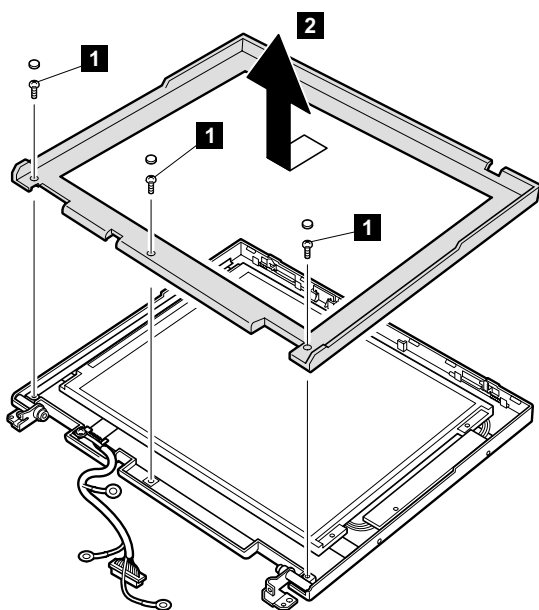
Step	Screw (quantity)	Torque
5	M2.5 × 4.8 mm, nylon-coated (2)	39.2 Ncm (4 kgfcm)

2020 Front bezel

For access, remove these FRUs, in order:

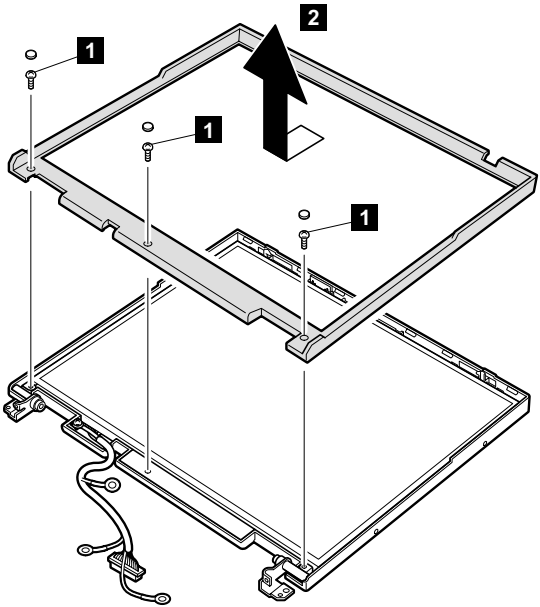
- “1010 Battery pack” on page 57
- “1020 Backup battery” on page 58
- “1030 Hard-disk drive” on page 60
- “1060 Ultrabay 2000 device” on page 66
- “1070 Keyboard” on page 67
- “1080 Keyboard CRU insulator” on page 72
- “1120 Hinge cover” on page 81
- “1130 Keyboard bezel” on page 83
- “1160 LED connector card” on page 91
- “2010 LCD assembly” on page 98

12.1-in. LCD (only for A21e series)



Step	Screw (quantity)	Torque
1	M2.5 × 4.8 mm, nylon-coated (3)	39.2 Ncm (4 kgfcm)

13.3-in. and 14.1-in. LCD



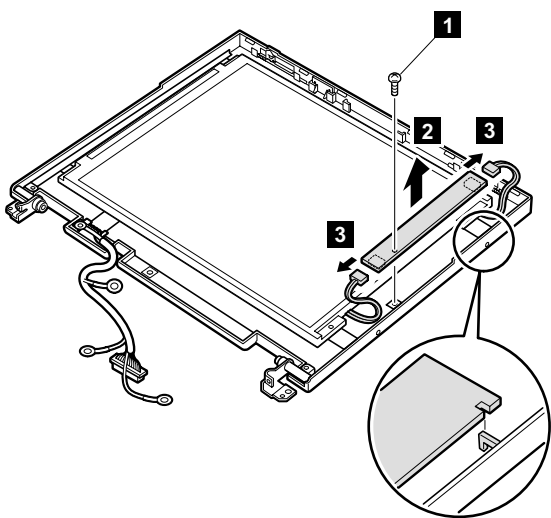
Step	Screw (quantity)	Torque
1	M2.5 × 4.8 mm, nylon-coated (3)	39.2 Ncm (4 kgfcm)

2030 Inverter card

For access, remove these FRUs, in order:

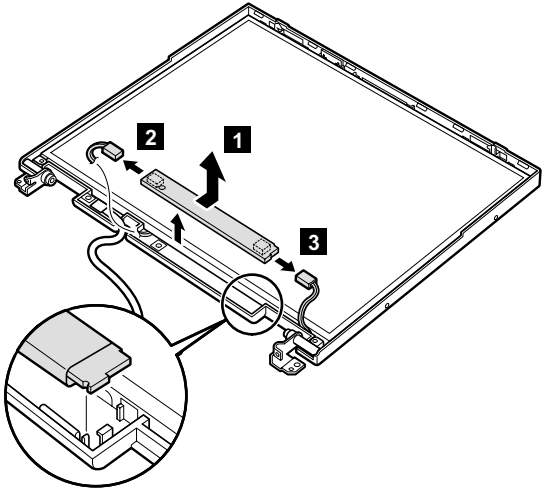
- “1010 Battery pack” on page 57
- “1020 Backup battery” on page 58
- “1030 Hard-disk drive” on page 60
- “1060 Ultrabay 2000 device” on page 66
- “1070 Keyboard” on page 67
- “1080 Keyboard CRU insulator” on page 72
- “1120 Hinge cover” on page 81
- “1130 Keyboard bezel” on page 83
- “1160 LED connector card” on page 91
- “2010 LCD assembly” on page 98
- “2020 Front bezel” on page 104

12.1-in. LCD (only for A21e series)

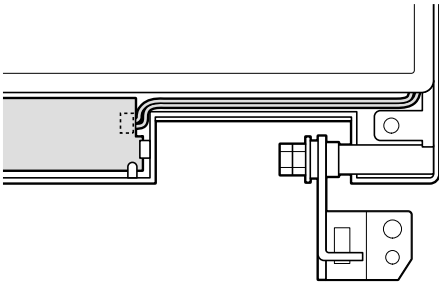


Step	Screw (quantity)	Torque
1	M2.5 × 4.8 mm, nylon-coated (3)	39.2 Ncm (4 kgfcm)

13.3-in. and 14.1-in. LCD



Cable routing: When replacing the inverter card, route the connector cable as in the following figure:

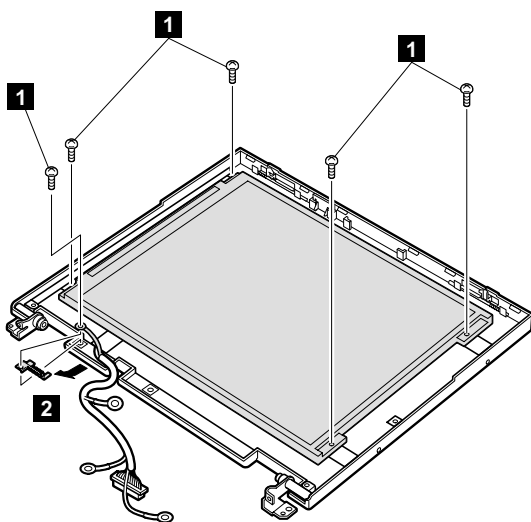


2040 LCD panel

For access, remove these FRUs, in order:

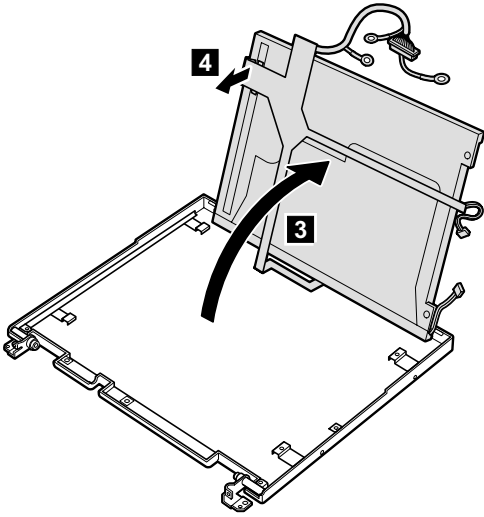
- “1010 Battery pack” on page 57
- “1020 Backup battery” on page 58
- “1030 Hard-disk drive” on page 60
- “1060 Ultrabay 2000 device” on page 66
- “1070 Keyboard” on page 67
- “1080 Keyboard CRU insulator” on page 72
- “1120 Hinge cover” on page 81
- “1130 Keyboard bezel” on page 83
- “1160 LED connector card” on page 91
- “2010 LCD assembly” on page 98
- “2020 Front bezel” on page 104
- “2030 Inverter card” on page 106

12.1-in. LCD (only for A21e series)

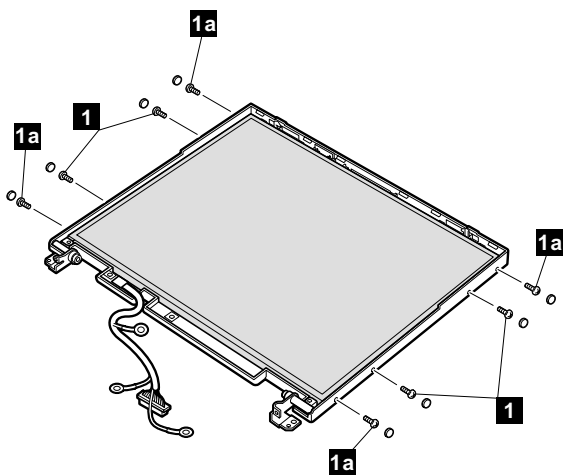


Step	Screw (quantity)	Torque
1	M2.5 × 4.8 mm, nylon-coated (5)	39.2 Ncm (4 kgfcm)

(continued)

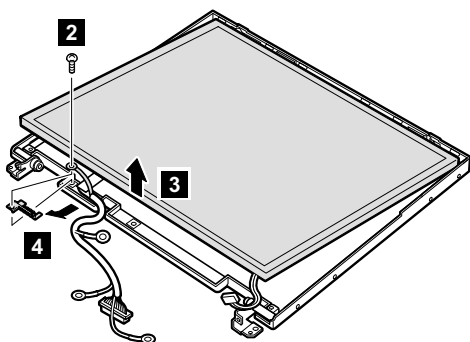


13.3-in. and 14.1-in. LCD

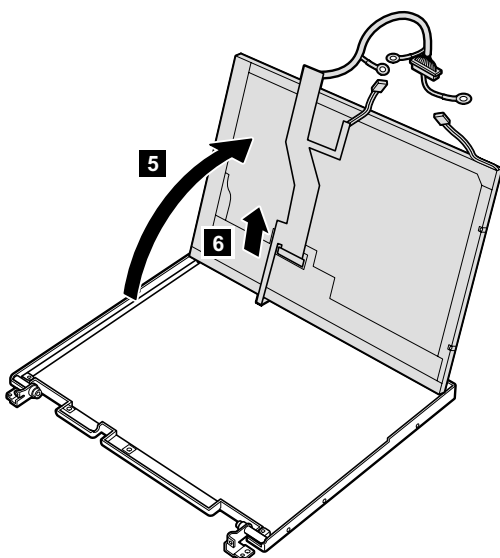


Step	Screw (quantity)	Torque
1	For 13.3-in. LCD M2 x 4 mm, nylon-coated (4)	24.5 Ncm (2.5 kgfcm)
1a	For 14.1-in. LCD M2 x 4 mm, nylon-coated (4)	24.5 Ncm (2.5 kgfcm)

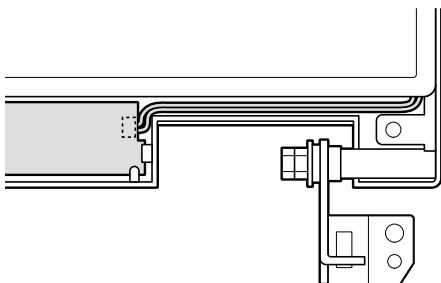
(continued)



Step	Screw (quantity)	Torque
2	M2.5 × 4.8 mm, nylon-coated (1)	39.2 Ncm (4 kgfcm)



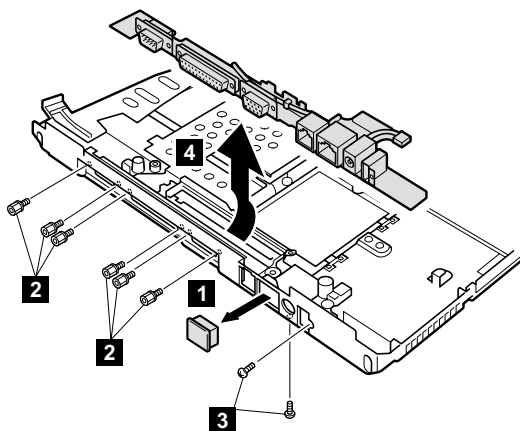
Cable routing: When installing the LCD, route the connector cable as in the following figure:



2050 Sub card

For access, remove these FRUs, in order:

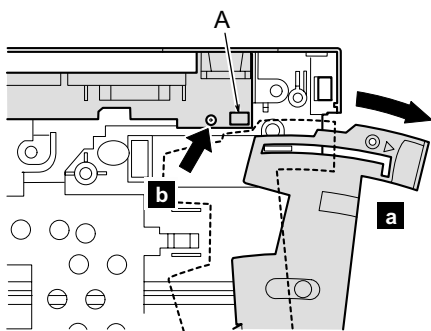
- “1010 Battery pack” on page 57
- “1020 Backup battery” on page 58
- “1030 Hard-disk drive” on page 60
- “1040 DIMM” on page 62
- “1050 Mini PCI adapter” on page 63
- “1060 Ultrabay 2000 device” on page 66
- “1070 Keyboard” on page 67
- “1080 Keyboard CRU insulator” on page 72
- “1090 Fan assembly” on page 73
- “1110 PC Card slot assembly” on page 79
- “1120 Hinge cover” on page 81
- “1130 Keyboard bezel” on page 83
- “1140 Speaker” on page 86
- “1150 Hard-disk bay” on page 89
- “1160 LED connector card” on page 91
- “1170 Ultrabay 2000 slot” on page 93
- “1180 System board” on page 96
- “2010 LCD assembly” on page 98



Step	Screw (quantity)	Torque
2	Hex stud (6)	39.2 Ncm (4 kgfcm)
3	M2.5 × 4.8 mm, nylon-coated (4)	39.2 Ncm (4 kgfcm)

When installing, do the followings;

- Make sure that the eject lever is popped out **a** and then install the sub card.
- Take care not to damage the switch on the sub card (**A**).
- Make sure that the guide of the card is firmly attached **b** as shown in the figure.



Locations

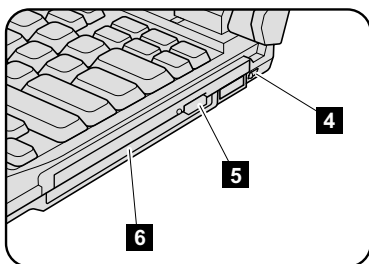
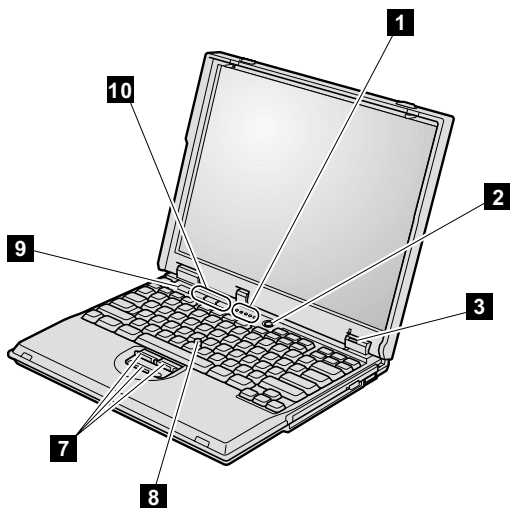
Front view

- 1** System status indicators
- 2** Power switch
- 3** Battery and standby status indicators
- 4** Bay latch
- 5** Eject button
- 6** Ultrabay 2000 device

Note: The Ultrabay 2000 accepts storage devices, such as a DVD drive or a CD-ROM drive.

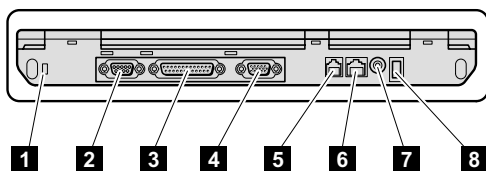
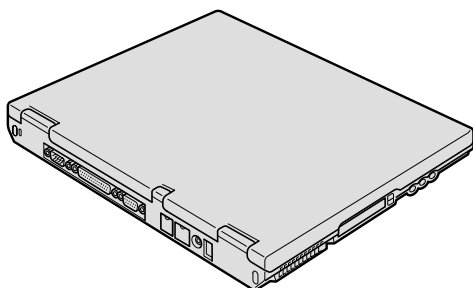
- 7** TrackPoint buttons
- 8** TrackPoint pointing stick
- 9** ThinkPad button
- 10** Volume and mute buttons

Note: **9** and **10** are Ez buttons for MT2655-P3J, P7J, PAJ.



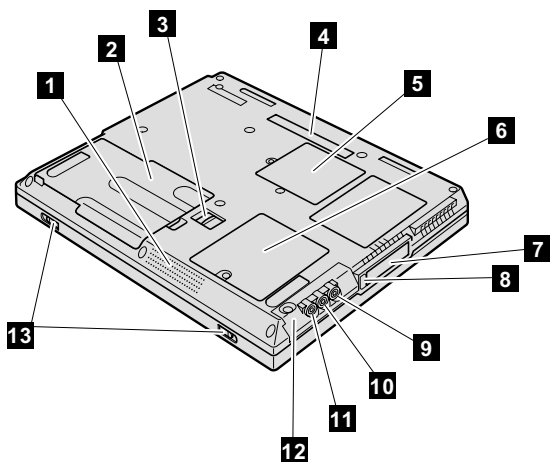
Rear view

- 1** Security keyhole
- 2** Serial connector
- 3** Parallel connector
- 4** External-monitor connector
- 5** Modem connector
- 6** Ethernet connector
- 7** Power jack
- 8** Universal serial bus (USB) connector



Bottom view

- 1** Built-in speaker
- 2** Battery pack
- 3** Battery pack latches
- 4** Docking connector
- 5** Mini PCI card slot
- 6** DIMM slot
- 7** PC card slots
- 8** PC card eject button
- 9** Headphone jack
- 10** Line-in jack
- 11** Microphone jack
- 12** Hard-disk drive
- 13** LCD latches



Parts list

A21e, A22e and i 1800 model matrix

The A21e, A22e and i 1800 series includes several models. The following table summarizes the characteristics of each model, to help you determine which FRU in the part list meets your need.

The table contains an entry for each of the three types of model A21e, labeled *A*, *B* and *C*, the seven types of model A22e, labeled *D* through *J*, the three types of model i 1800, labeled *K*, *L* and *M*.

Celxxx: Intel® Celeron® processor xxx MHz, L2 128-KB cache

CMGxxx: Intel® mobile Pentium® III processor xxx MHz featuring Intel® SpeedStep™ technology

Type	Model	HDD	Bay device	Mini PCI adapter	CPU	LCD
A21e (Memory: 64 MB)						
<i>A</i>	MT2655-21x, 71x	20 GB	CD-ROM (24x)	Modem	Cel 650	12.1-in. SVGA
	MT2655-72x			Ethernet		
	MT2655-23x, 73x			Combo (Intel)		
	MT2655-M2A					
<i>B</i>	MT2655-31x, 81x			Modem	Cel 700	13.3-in. XGA
	MT2655-32x, 82x			Ethernet		
	MT2655-33x, 83x			Combo (Intel)		
<i>C</i>	MT2655-41x, 91x			Modem		14.1-in. XGA
	MT2655-42x, 92x			Ethernet		
	MT2655-43x, 93x, B2G, B4G			Combo (Intel)		
	MT2655-B1G, B3G, M4A					

(continued)

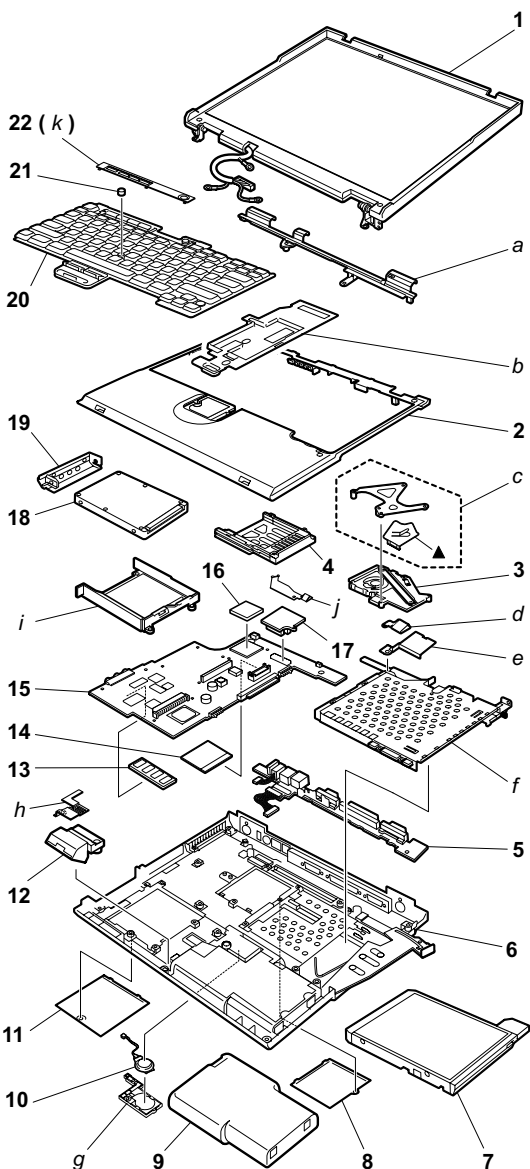
Type	Model	HDD	Bay device	Mini PCI adapter	CPU	LCD
A22e (Memory: 64 MB)						
D	MT2655-25x, 75x	15 GB	CD-ROM (24x)	Modem	Cel 800	13.3-in. XGA
	MT2655-26x, 76x			Ethernet		
	MT2655-27x, 77x, H7x			Combo (Intel)		
	MT2663-77x					
	MT2664-77x					
E	MT2655-35x, 85x			Modem		14.1-in. XGA
	MT2655-36x, 86x			Ethernet		
	MT2655-37x, 87x, BBG, BCG, D7x, J7x			Combo (Intel)		
F	MT2655-48x, 98x	20 GB		Modem	CMG 850	13.3-in. XGA
	MT2655-49x, 99x			Ethernet		
	MT2655-4Ax, 9Ax			Combo (Intel)		
G	MT2655-58x, A8x			Modem		14.1-in. XGA
	MT2655-59x, A9x			Ethernet		
	MT2655-5Ax, AAx			Combo (Intel)		
H	MT2655-45x, 95x	30 GB		Modem		13.3-in. XGA
	MT2655-46x, 96x			Ethernet		
	MT2655-47x, 97x, E7x			Combo (Intel)		

(continued)

Type	Model	HDD	Bay device	Mini PCI adapter	CPU	LCD
A22e (Memory: 64 MB)						
<i>I</i>	MT2655-55x, A5x	30 GB	CD-ROM (24x)	Modem	CMG 850	14.1-in. XGA
	MT2655-56x, A6x			Ethernet		
	MT2655-57x, A7x, F7x, M7x			Combo (Intel)		
<i>J</i>	MT2655-65x, B5x		DVD-ROM (8x)	Modem	CMG 900	
	MT2655-66x, B6					
	MT2655-67x, B7x			Combo (Intel)		
i 1800 (Memory: 64 MB/128 MB)						
<i>K</i>	MT2655-P3J	20 GB	CD-RW	Combo (Intel)	Cel 750	14.1-in. XGA
<i>L</i>	MT2655-P7J				CMG 750	
<i>M</i>	MT2655-PAJ	30 GB	DVD/CD-RW			

Note: The models labeled the type with asterisk are the high-end models and the others are the low-end models in preceding table.

Overall



Note: The parts marked with ▲ in preceding figure is only for A, B, C, D, E, K.

- Each FRU is available for all types/models, unless specific types or models are given.
- The FRUs marked with one asterisk are CRU (customer replacable unit).
- The FRUs marked with two asterisks are CSU (customer set-up unit).
- The FRUs marked with **OP** are also available as optional FRU.

No.	FRU	P/N
a- k	See "Miscellaneous parts" on page 131.	
1	LCD unit (see "LCD FRUs" on page 125)	
2	Keyboard bezel assembly for A, B, C, D, E	08K7133
	for Korea (only for D, E)	08K7134
	Keyboard bezel assembly for F, G, H, I, J	26P9323
	for Korea	26P9324
	Keyboard bezel assembly for K	08K7353
	Keyboard bezel assembly for L, M	26P9325
3	Fan assembly for A, B, C, D, E, K	08K7128
	Fan assembly for F, G, H, I, J, L, M	26P9317
4	PC Card slots for A, B, C, D, E, K	08K7127
	PC Card slots for F, G, H, I, J, L, M	08K7064
5	I/O card assembly	26P8074
6	Base cover assembly	
	for A, B, C	08K7123
	for D, E	26P9507
	for Korea (D, E)	08K7124
	for F, G, H, I, J	26P9312
	for Korea (H, I, J)	26P9314
	for K	08K7350
	for L, M	26P9315
7	Ultrabay 2000 diskette drive (TEAC)* OP	08K9606
	Ultrabay 2000 diskette drive (SONY)* OP	08K9607
	Ultrabay 2000 CD-ROM drive (TEAC)* OP	27L3436
	Ultrabay 2000 CD-ROM drive (LG) (lower power)* OP	08K9545
	Ultrabay 2000 CD-RW drive (SONY)* OP	08K9617
	Ultrabay 2000 DVD-ROM drive (MKE)* OP	27L3447
	Ultrabay 2000 DVD-ROM drive (Hitachi)* OP	27L4167
	Ultrabay 2000 CD-RW/DVD combo drive* OP	08K9571
	for other optional Ultrabay 2000 device, see "Optional FRUs" on page 135.	

(continued)

No.	FRU	P/N
8	Cover, Mini PCI adapter slot*	08K7137
9	Battery pack (NiMH)**	
	Panasonic for A, B, C, D, E excepting MT2655-xxJ OP	02K6723
	Panasonic for MT2655-xxJ (in A, B, C, D, E) and K	02K6774
	SANYO for A, B, C, D, E excepting MT2655-xxJ OP	02K6724
	SANYO for MT2655-xxJ (in A, B, C, D, E) and K	02K6775
	Battery pack (Li-Ion)**	
	Panasonic for A ~ J excepting MT2655-xxJ OP	02K6740
	Panasonic for MT2655-xxJ (in H, I, J) and K, L, M	02K6778
	SANYO for A ~ J excepting MT2655-xxJ OP	02K6741
	SANYO for MT2655-xxJ (in H, I, J) and K, L, M	02K6779
10	Backup battery	02K6572
11	Cover, DIMM slot*	08K7136
12	Speaker assembly for A, B, C, D, E, K	08K7135
	Speaker assembly for F, G, H, I, J, L, M	26P9326
13	64-MB SDRAM SO DIMM** OP	20L0264
	128-MB SDRAM SO DIMM** OP	20L0265
	for other optional DIMM, see "Optional FRUs" on page 135.	
14	Mini PCI modem card (Ambit) (V.92 ready)*	08K3383
	Mini PCI combo card (Intel)* OP	06P3809
	Mini PCI Ethernet card (Intel)*	08K3348
	for other optional Mini PCI adapter, see "Optional FRUs" on page 135.	
15	System board	
	with Celeron processor 650 MHz for A	12P3430
	with Celeron processor 700 MHz for B, C	12P3433
	with Celeron processor 750 MHz for K	12P3436
	with Celeron processor 800 MHz for D, E	26P8093
	for F, G, H, I, L, M (1.6 V)	26P8117
	for J (1.7 V)	26P8118

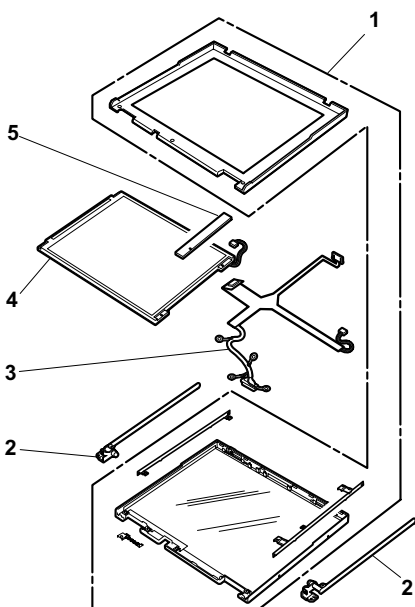
(continued)

No.	FRU	P/N
16	CPU, Pentium III 750 MHz with SpeedStep technology for <i>L, M</i>	12P3446
	CPU, Pentium III 850 MHz with SpeedStep technology for <i>F, G, H, I</i>	12P3450
	CPU, Pentium III 900 MHz with SpeedStep technology for <i>J</i>	08K3346
17	LED connector card for <i>F, G, H, I, L, M</i>	26P8055
18	Hard-disk drive (15.0 GB), STD* for A22e OP	08K9585
	Hard-disk drive (15.0 GB), Hitachi* for A22e OP	08K9587
	Hard-disk drive (20.0 GB), Hitachi* for A21e, A22e OP	08K9533
	Hard-disk drive (20.0 GB), STD* for A21e, A22e OP	27L4075
	Hard-disk drive (30.0 GB), STD* for A22e OP	08K9590
	Hard-disk drive (30.0 GB), Hitachi* for A22e OP	08K9592
	for other optional hard-disk drive, see "Optional FRUs" on page 135.	
19	Cover, hard-disk drive*	08K7138
21	Keyboard* (see "Keyboard" on page 128)	
	Keyboard for i 1800*	02K5877
21	Pointing stick cap*	84G6536
22	Easy button cover	26P9327
—	AC adapter (72W), 2-pin (ASTEC)** OP	02K6753
	AC adapter (72W), 2-pin (DELTA)** OP	02K6756
	AC adapter (72W), 2-pin (SANKEN)** OP	02K6757
	AC adapter (72W), 3-pin (ASTEC)** OP	02K6751
	AC adapter (72W), 3-pin (DELTA)** OP	02K6754
—	Telephone cable*	27L0603
—	Recovery CD for i 1800 series (see "Recovery CDs for i 1800 series" on page 129.)	
	Recovery CD for A22e series (see "Recovery CDs for A22e series" on page 129.)	
—	1394 Cardbus card (for i 1800)	19K5686
—	Cardbus cable (6-6 pin) (for i 1800)	19K5688
—	Cardbus cable (6-4 pin) (for i 1800)	19K5689

LCD FRUs

12.1-in. SVGA TFT (only for A21e)

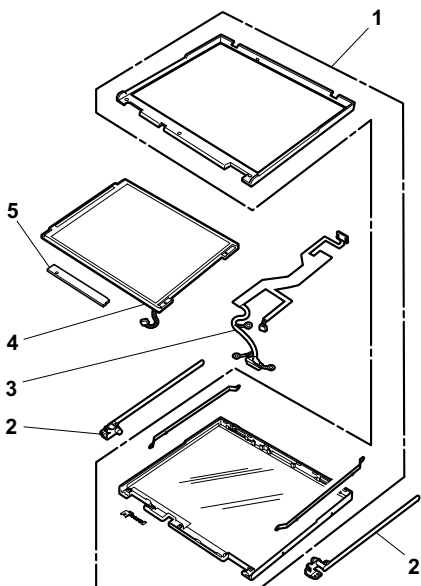
Following FRUs are available for MT2655-21x, 22x, 23x, 71x, 72x, 73x, M2A.



No.	FRU	P/N
1	LCD cover kit	08K7130
2	Hinge	08K7132
3	LCD cable assembly, 12.1 SVGA	27L0620
4	LCD panel (SANYO) 12.1 SVGA	05K9577
	LCD panel (SAMSUNG) 12.1 SVGA	05K9869
5	Inverter card	08K3417

13.3-in. XGA TFT

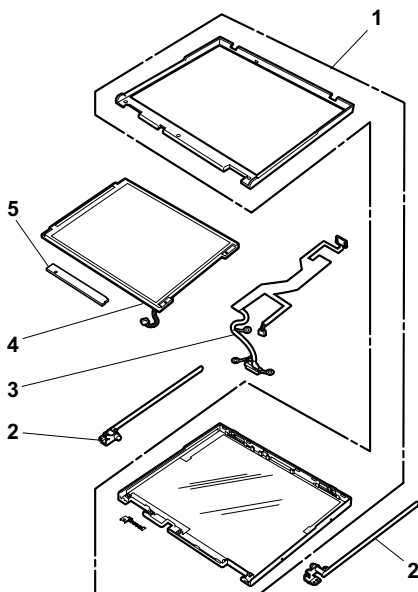
Following FRUs are available for MT2655-25x, 26x, 27x, 31x, 32x, 33x, 45x, 46x, 47x, 49x, 75x, 76x, 77x, 81x, 82x, 83x, 95x, 96x, 97x, 99x, MT2663-77x, MT2664-77x.



No.	FRU	P/N
1	LCD cover kit 13.3 for A21e	08K7130
	LCD cover kit 13.3 for A22e	26P9409
	for Korea	26P9321
2	Hinge	08K7132
3	LCD cable assembly, XGA	27L0621
4	LCD panel 13.3 XGA (LG)	05K9892
5	Inverter card	08K3363

14.1-in. XGA TFT

Following FRUs are available for MT2655-35x, 36x, 37x, 41x, 42x, 43x, 55x, 56x, 57x, 59x, 65x, 66x, 67x, 85x, 86x, 87x, 91x, 92x, 93x, A5x, A6x, A7x, A9x, B1G, B2G, B3G, B4G, B5x, B6x, B7x, C5G, C7G, M4A, P3J, P7J.



No.	FRU	P/N
1	LCD cover kit 14.1	08K7410
	for Korea (only for A22e)	26P9322
	for i 1800	08K7352
2	Hinge	08K7132
3	LCD cable assembly, XGA	27L0621
4	LCD panel 14.1 XGA	
	Hyundai	05K9907
	LG	05K9567
	SAMSUNG	05K9678
5	Inverter card	08K3363

Keyboard

Language	P/N (NMB)	P/N (ALPS)
Arabic	02K5750	—
Belgian	02K5745	—
Chinese, traditional	02K5747	02K5718
Czech	02K5751	—
Danish	02K5738	—
Dutch	02K5735	—
English, U.K.	02K5731	—
English, U.S.	02K5729	02K5700
French, Canadian	02K5732	02K5703
French, European	02K5734	—
German	02K5733	—
Greek	02K5753	—
Hungarian	02K5752	—
Hebrew	02K5749	—
Italian	02K5739	—
Japanese	02K5730	02K5701
Korean (only for A22e)	02K5744	02K5715
Norwegian	02K5737	—
Polish	02K5755	—
Portuguese	02K5742	—
Russian	02K5748	—
Slovak	02K5754	—
Slovenian	02K5756	—
Spanish, European	02K5740	—
Spanish, Latin American	02K5743	02K5714
Swedish or Finnish	02K5736	—
Swiss	02K5741	—
Thai (only for A22e)	02K5757	02K5728
Turkish	02K5746	—

Recovery CDs for i 1800 series

For Windows Me models

Language	P/N
Japanese (for MT2655-P3J)	27P1640
Japanese (for MT2655-P7J, PAJ)	46P4407

Recovery CDs for A22e series

For Windows 98 models

Language	P/N
Arabic	14P8675
Chinese, Simplified	46P4502
Chinese, Traditional	46P4498
Czech	14P8676
Danish	14P8654
Dutch	14P8661
English, U.K.	14P8650
English, U.S.	14P8649
Finnish	14P8660
French, Canadian	14P8651
French, European	14P8655
German	14P8656
Greek	14P8680
Hebrew	14P8677
Hungarian	14P8681
Italian	14P8659
Japanese	27P1950
Norwegian	14P8662
Polish	14P8678
Portuguese	14P8653
Russian	14P8682
Slovak	14P8684
Slovenian	14P8683
Spanish, European	14P8657
Spanish, Latin American	14P8652
Swedish	14P8658
Thai	14P8685
Turkish	14P8679

For Windows 2000 models

Language	P/N
Arabic	14P8735
Czech	14P8736
Greek	14P8740
Hebrew	14P8737
Hungarian	14P8741
Polish	14P8738
Russian	14P8742
Slovak	14P8744
Slovenian	14P8743
Turkish	14P8739
Thai	14P8745

For Windows 2000/Windows NT models

Language	P/N
Chinese, Simplified	46P4504
Chinese, Traditional	46P4500
Dannish	14P8702
Dutch	14P8709
English, U.K.	14P8698
English, U.S.	14P8697
Finnish	14P8708
French, Canadian	14P8699
French, European	14P8703
German	14P8704
Italian	14P8707
Japanese	27P1952
Norwegian	14P8710
Portuguese	14P8701
Spanish, European	14P8705
Spanish, Latin American	14P8700
Swedish	14P8706

Miscellaneous parts

FRU	P/N
Screw kit (including nylon-coated screws): <ul style="list-style-type: none"> • M2.5 x 14 mm, bind head (15) • M2.5 x 4.8 mm, flat head (20) • M2.5 x 3.5 mm, flat head (10) • M2.0 x 13.5 mm, pan head (15) • M2.0 x 4.0 mm, small head (10) • Hex stud D-sub (10) • Coin screw (1) • Security screw (1) • Blank cap, enhanced port • Screw caps, rear • Screw caps • Screw caps (painted) • Screw caps (not painted) 	08K7139
Base miscellaneous parts for A, B, C, D, E, K: <ul style="list-style-type: none"> • I/O plate • Spring, battery lock • Lid, docking FR • Lid, docking RR • Spring, lid docking • Spring, lid PC Card • Lid, PC Card • Rubber foot • ESD plate, audio • Insulator for base cover • Ultrabay 2000 bay eject lever • Spring, Ultrabay 2000 bay eject lever • Puller, Ultrabay 2000 bay • Label danger, backup battery • Thermal sponge • Knob, battery lock • Latch, battery lock • EMI plate, modem • EMI shield, battery bay • ESD plate, DIMM • ESD plate, docking connector • ESD plate, CPU • Screw caps • Screw caps, rear 	08K7125

(continued)

FRU	P/N
Base miscellaneous parts for <i>F, G, H, I, J, L, M</i> : <ul style="list-style-type: none"> • I/O plate • Spring, battery lock • Lid, docking FR • Lid, docking RR • Spring, lid docking • Spring, lid PC Card • Lid, PC Card • Rubber foot • Rubber foot NBR • ESD plate, audio • Insulator for base cover • Ultrabay 2000 bay eject lever • Spring, Ultrabay 2000 bay eject lever • Puller, Ultrabay 2000 bay • Label danger, backup battery • Thermal sponge • Knob, battery lock • Latch, battery lock • EMI plate, modem • EMI shield, battery bay • ESD plate, DIMM • ESD plate, docking connector • ESD plate, CPU • Blank caps • Screw caps • Screw caps, rear 	26P9316
System board miscellaneous parts: <ul style="list-style-type: none"> • Hex stud • PC Card insulator • Battery latch insulator • Keyboard connector guide • Shock rubber • Shock rubber 2.5 • Insulator, Docking connector • Insulator, Ultrabay 2000 connector • Insulator, I/O connector • Mini PCI shield • Hard-disk drive insulator • Sponge • Screw caps • Screw caps, rear 	08K7126

(continued)

FRU	P/N
System miscellaneous parts for <i>A, B, C</i> (A21e): <ul style="list-style-type: none"> • (a) Hinge cover assembly • (k) Easy button cover • I/O card spacer • Cable, RJ11 to system board docking • (g) Backup battery holder • (f) Ultrabay 2000 guide rail • (i) Hard-disk bay guide rail • (b) Keyboard CRU insulator • Mini PCI guide • Keyboard support • (d) ESD plate spring CSB • (e) ESD plate CSB • (c) ESD fan cover • Screw caps • Screw caps, rear 	08K7129
System miscellaneous parts for <i>D, E</i> (A22e): <ul style="list-style-type: none"> • (a) Hinge cover assembly • I/O card spacer • Cable, RJ11 to system board docking • (g) Backup battery holder • (f) Ultrabay 2000 guide rail • (i) Hard-disk bay guide rail • (b) Keyboard CRU insulator • Keyboard support • (d) ESD plate spring CSB • (e) ESD plate CSB • (c) ESD fan cover • (h) EMI plate, speaker • Screw caps • Screw caps, rear 	26P9318
System miscellaneous parts for <i>F, G, H, I, J</i> (A22e): <ul style="list-style-type: none"> • (a) Hinge cover assembly • I/O card spacer • Cable, RJ11 to system board docking • (g) Backup battery holder • (f) Ultrabay 2000 guide rail • (h) Hard-disk bay guide rail • (b) Keyboard CRU insulator • Keyboard support • (c) ESD fan cover • (j) LCD connector holder • Screw caps • Screw caps, rear 	26P9319

(continued)

FRU	P/N
System miscellaneous parts for <i>K</i> (i 1800): <ul style="list-style-type: none"> • (a) Hinge cover assembly • (k) Easy button cover • I/O card spacer • Cable, RJ11 to system board docking • (g) Backup battery holder • (f) Ultrabay 2000 guide rail • (i) Hard-disk bay guide rail • (b) Keyboard CRU insulator • Mini PCI guide • Keyboard support • (d) ESD plate spring CSB • (e) ESD plate CSB • (c) ESD fan cover • Screw caps • Screw caps, rear 	08K7351
System miscellaneous parts for <i>L, M</i> (i 1800): <ul style="list-style-type: none"> • (a) Hinge cover assembly for i-series • (k) Easy button cover for i-series • I/O card spacer • Cable, RJ11 to system board docking • (g) Backup battery holder • (f) Ultrabay 2000 guide rail • (i) Hard-disk bay guide rail • (b) Keyboard CRU insulator • Mini PCI guide • Keyboard support • (d) ESD plate spring CSB • (e) ESD plate CSB • (c) ESD fan cover • Grease • Screw caps • Screw caps, rear 	26P9320
Miscellaneous parts, for I/O card <ul style="list-style-type: none"> • DC jack connector • Cable RJ11/45 to Mini PCI • Insulator, modular jack • Insulation tape • Screw caps • Screw caps, rear 	08K6683

Optional FRUs

FRU	P/N
256-MB SDRAM SO DIMM for <i>F, G, H, I, J, L, M</i>	33L3070
Ultrabay 2000 SuperDisk drive (LS120 × 2)	05K9235
Ultrabay 2000 SuperDisk drive (LS240)	08K9615
Ultrabay 2000 ZIP-250 drive	00N8254
Ultrabay 2000 2nd HDD adapter	08K6067
Hard-disk drive (10.0 GB), STD	08K9508
Hard-disk drive (10.0 GB), Hitachi	08K9531
Hard-disk drive (32.0 GB), STD	08K9509
Mini PCI combo card (3Com)	00N8117
Multiple battery charger	02K6642
ThinkPad Port Replicator	08N1536
Diskette drive cable	27L0525
Conversion adapter for diskette drive cable	08K6360

Common parts list

Tools

Triconnector wrap plug	72X8546
PC test card	35G4703
Audio wrap cable	66G5180
USB parallel test cable	05K2580
Screwdriver kit	95F3598
Torque screwdriver	05K4695
5mm socket wrench	05K4694
Screwdriver	27L8126
ThinkPad hardware maintenance diskette version 1.61 Note: Download the file from the Web site.	–

Power cords (system)

IBM power cords for a specific country are usually available only in that region:

For 2-pin power cords:

Region	P/N
Canada, United States of America	13H5264
Japan	13H5273
Argentina	36L8870

For 3-pin power cords:

Region	P/N
Australia, New Zealand	76H3514
Taiwan, Thailand	76H3516
Italy	76H3530
Denmark	76H3520
UK, Hong Kong	76H3524
European countries	76H3518
India, South Africa	76H3522
Israel	76H3532
People's Republic of China (other than Hong Kong)	02K0539
Switzerland	76H3528

Notices

References in this publication to IBM products, programs, or services do not imply that IBM intends to make these available in all countries in which IBM operates. Any reference to an IBM product, program, or service is not intended to state or imply that only that IBM product, program, or service may be used. Any functionally equivalent product, program, or service that does not infringe any of the intellectual property rights of IBM may be used instead of the IBM product, program, or service. The evaluation and verification of operation in conjunction with other products, except those expressly designated by IBM, are the responsibility of the user.

IBM may have patents or pending patent applications covering subject matter in this document. The furnishing of this document does not give you any license to these patents. You can send license inquiries, in writing, to the IBM Director of Licensing, IBM Corporation, 500 Columbus Avenue, Thornwood, NY 10594, U.S.A.

Trademarks

The following terms are trademarks of the IBM Corporation in the United States or other countries or both:

- IBM
- ThinkPad
- TrackPoint
- ThinkLight
- OS/2
- Asset ID

Microsoft, Windows, Windows NT, and the Windows logo are trademarks of Microsoft Corporation in the United States and/or other countries.

Pentium and Celeron are trademarks of Intel Corporation in the United States and/or other countries. (For a complete list of Intel trademarks, see the legal information on <http://www.intel.com/>)

Other company, product, or service names may be the trademarks or service marks of others.



Part Number: 24P2910

Printed in U.S.A.

(1P) P/N: 24P2910

