

Service Manual

Wireless Display

CF-08TX1A1M

This is the Service Manual for
the following areas.
M ...for U.S.A.

 **WARNING**

This service information is designed for experienced repair technicians only and is not designed for use by the general public. It does not contain warnings or cautions to advise non-technical individuals of potential dangers in attempting to service a product. Products powered by electricity should be serviced or repaired only by experienced professional technicians. Any attempt to service or repair the product or products dealt with in this service information by anyone else could result in serious injury or death.

Panasonic[®]

© 2006 Matsushita Electric Industrial Co., Ltd. All rights reserved. Unauthorized copying and distribution is a violation

WARNINGS

For U.K.

This apparatus must be earthed for your safety.

To ensure safe operation the three-pin plug must be inserted only into a standard three-pin power point which is effectively earthed through the normal household wiring.

Extension cords used with the equipment must be three-core and be correctly wired to provide connection to earth. Wrongly wired extension cords are a major cause of fatalities.

The fact that the equipment operates satisfactorily does not imply that the power point is earthed and that the installation is completely safe.

For your safety, if you have any doubt about the effective earthing of the power point, consult a qualified electrician.

FOR YOUR SAFETY PLEASE READ THE FOLLOWING TEXT CAREFULLY

This appliance is supplied with a moulded three pin mains plug for your safety and convenience.

A 3 amp fuse is fitted in this plug.

Should the fuse need to be replaced please ensure that the replacement fuse has a rating of 3 amps and that it is approved by ASTA or BSI to BS 1362.

Check for the ASTA mark  or the BSI mark  on the body of the fuse.

If the plug contains a removable fuse cover you must ensure that it is refitted when the fuse is replaced.

If you lose the fuse cover the plug must not be used until a replacement cover is obtained.

A replacement fuse cover can be purchased from your local Panasonic Dealer.

IF THE FITTED MOULDED PLUG IS UNSUITABLE FOR THE SOCKET OUTLET IN YOUR HOME THEN THE FUSE SHOULD BE REMOVED AND THE PLUG CUT OFF AND DISPOSED OF SAFELY.

THERE IS A DANGER OF SEVERE ELECTRICAL SHOCK IF THE CUT OFF PLUG IS INSERTED INTO ANY 13 AMP SOCKET.

If a new plug is to be fitted please observe the wiring code as shown below.

If in any doubt please consult a qualified electrician.


Warning: THIS APPLIANCE MUST BE EARTHED.

Important

The wires in this mains lead are coloured in accordance with the following code:

Green-and-yellow:	Earth
Blue:	Neutral
Brown:	Live

As the colours of the wires in the mains lead of this apparatus may not correspond with the coloured markings identifying the terminals in your plug, proceed as follows:

The wire which is coloured GREEN-and-YELLOW must be connected to the terminal in the plug which is marked by the letter E or by the safety earth symbol  coloured GREEN or GREEN-and-YELLOW.

The wire which is coloured Blue must be connected to the terminal which is marked with the letter N or coloured BLACK.

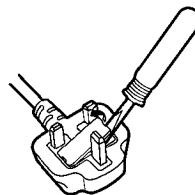
The wire which is coloured Brown must be connected to the terminal which is marked with the letter L or coloured RED.

The mains plug on this equipment must be used to disconnect the mains power.

Please ensure that a socket outlet is available near the equipment and shall be easily accessible.

How to replace the fuse

Open the fuse compartment with a screw-driver and replace the fuse.



Warnings

- This equipment is not designed for connection to an IT power system.
(An IT system is a system having no direct connections between live parts and Earth; the exposed-conductive-parts of the electrical installation are earthed.
An IT system is not permitted where the computer is directly connected to public supply systems in the U.K.)
- Disconnect the mains plug from the supply socket when the computer is not in use.

This equipment is produced to BS800/1983.

Safety precautions

1. Before servicing, unplug the power cord to prevent an electric shock.
2. When replacing parts, use only manufacturer's recommended components for safety.
3. Check the condition of the power cord. Replace if wear or damage is evident.
4. After servicing, be sure to restore the lead dress, insulation barriers, insulation papers, shields, etc.

Important Safety Instructions

When using your telephone equipment, basic safety precautions should always be followed to reduce the risk of fire, electric shock and injury to persons, including the following:

1. Do not use this product near water, for example, near a bath tub, wash bowl, kitchen sink or laundry tub, in a wet basement or near a swimming pool.
2. Avoid using a telephone (other than a cordless type) during an electrical storm. There may be a remote risk of electric shock from lightning.
3. Do not use the telephone to report a gas leak in the vicinity of the leak.
4. Use only the power cord and batteries indicated in this manual. Do not dispose of batteries in a fire. They may explode. Check with local codes for possible special disposal instructions.

SAVE THESE INSTRUCTIONS

LITHIUM BATTERY ⚠

• CAUTION

Danger of explosion if battery is incorrectly replaced.

Replace only with the same or equivalent type recommended by the equipment manufacturer.

Discard used batteries according to the manufacturer's instructions.

LITHIUMBATTERIES ⚠

Vorsicht!

Explosionsgefahr bei unsachgemäßem Austausch der Batterie. Ersatz nur durch denselben oder einen vom Hersteller empfohlenen ähnlichen Typ. Entsorgung gebrauchter Batterien nach Angaben des Herstellers.

PILE AU LITHIUM ⚠

ATTENTION: IL Y A DANGER D'EXPLOSION S' IL Y A REMPLACEMENT INCORRECT DE LA PILE. REMPLACER UNIQUEMENT AVEC UNE PILE DU MÊME TYPE OU D'UN TYPE RECOMMANDÉ PAR LE CONSTRUCTEUR. METTRE AU RÉBUT LES PILES USAGÉES CONFORMÉMENT AUX INSTRUCTIONS DU FABRICANT.

For U.S.A. / CANADA



A lithium ion battery that is recyclable powers the product you have purchased. Please call 1-800-8-BATTERY for information on how to recycle this battery.

L'appareil que vous vous êtes procuré est alimenté par une batterie au lithium-ion. Pour des renseignements sur le recyclage de la batterie, veuillez composer le 1-800-8-BATTERY.

Lithium Battery

Lithium Battery!

This computer contains a lithium battery to enable the date, time, and other data to be stored. The battery should only be exchanged by authorized service personnel.

Warning! A risk of explosion from incorrect installation or mis-application may possibly occur.

Precautions

Battery Pack

Care should be exercised with regard to the following in order to avoid the possibility of overheating, fire or damage.



Avoid Heat

Do not throw the battery pack into a fire or expose it to excessive heat.



Keep Articles Away

Do not place the battery pack together with articles such as necklaces or hairpins when carrying or storing.



Do Not Disassemble

Do not insert sharp objects into the battery pack, expose it to bumps or shocks, deform, disassemble, or modify it.



Do Not Short

Do not short the positive (+) and negative (-) contacts.



Avoid Extreme Heat, Cold and Direct Sunlight

Do not charge, use or leave the battery pack for extended periods where it will be exposed to direct sunlight, in a hot place (in a car on a sunny day, for example), or in a cold place.



Do Not Use With Any Other Equipment

The battery pack is rechargeable and was intended for the specified equipment. Do not use it with any equipment other than the one for which it was designed.



Do Not Use This Wireless Display with a Battery Pack Other Than the One Specified

Use only the specified Panasonic battery pack (CF-VZSU44U) with your CF-08. Use of batteries other than those manufactured and supplied by Panasonic may represent a safety hazard.



Do Not Put into a Microwave

Do not put the battery pack into a microwave oven or a pressurized chamber.



Stop Using

Should the battery emit an abnormal odor, become hot to the touch, become discolored, change shape, or become in any way different from normal, remove it from the wireless display and stop using it.

Do not touch the terminals on the battery pack. The battery pack may no longer function properly if the contacts are dirty or damaged.

Do not expose the battery pack to water, or allow it to become wet.

If the battery pack will not be used for a long period of time (a month or more), charge or discharge (use) the battery pack until the remaining battery level becomes 30% to 40% and store it in a cool, dry place.

This wireless display prevents overcharging of the battery by recharging only when the remaining power is less than approx. 95% of capacity.

The battery pack is not charged when the wireless display is first purchased. Be sure to charge it before using it for the first time. When the AC adaptor is connected to the wireless display, charging begins automatically.

Should the battery leak and the fluid get into your eyes, do not rub your eyes. Immediately flush your eyes with clear water and see a doctor for medical treatment as soon as possible.

NOTE

The battery pack may become warm during recharging or normal use. This is completely normal.

Recharging will not commence if internal temperature of the battery pack is outside of the allowable temperature range (0 °C to 45 °C {32°F to 122°F}). Once the allowable range requirement is satisfied, charging begins automatically. Note that the recharging time varies based on the usage conditions. (Recharging takes longer than usual when the temperature is 10 °C {50°F} or below.)

If the temperature is low, the operating time is shortened. Only use the equipment within the allowable temperature range.

The battery pack is a consumable item. If the amount of time the equipment can be run by using a particular battery pack becomes dramatically shorter and repeated recharging does not restore its performance, the battery pack should be replaced with a new one.

When transporting a spare battery inside a package, briefcase, etc., it is recommended that it be placed in a plastic bag so that its contacts are protected.

Always power off the equipment when it is not in use. Leaving the equipment on when the AC adaptor is not connected will exhaust the remaining battery capacity.

CONTENTS

1. Specifications	1-1
2. Introduction	2-1
3. Description of parts	3-1
4. Starting up/Shutting Down	4-1
5. Diagnosis & Repair	5-1
6. Troubleshooting	6-1
7. Block Diagram	7-1
8. Wiring Connection Diagram	8-1
9. Disassembly/Reassembly	9-1
10. Exploded View	10-1
11. Replacement Parts List	11-1

1 Specifications

Main Specifications

Model No.	CF-08TX1A1M
CPU	Intel® PXA270 Processor 312 MHz
Memory (ROM/RAM)	32 MB (Flash) /64 MB
Display Method	10.4 XGA type
Internal LCD Display	65,536 colors (1024 × 768 pixels)
Wireless LAN	Built-in
Bluetooth	Built-in
LAN	IEEE 802.3 10Base-T, IEEE 802.3u 100Base-TX
Sound	WAVE playback, Monaural speaker
Card Slot	SD Memory Card*1
	× 1, Data transfer rate=4.8 MB per second*2
Interface	USB Port × 1 (USB1.1), LAN Port (RJ-45), Expansion Bus Connector (Dedicated 16-pin), Microphone Jack (Miniature jack, 3.5 DIA, Monaural), Headphone Jack (Miniature jack, 3.5 DIA, Impedance 32 Ω, Output Power 4 mW × 2)
Button	Power button, USER button, Keyboard button, Cursor control button (with Enter key)
Pointing Device	Touchscreen (Anti-Reflection, Stylus (included) touch capable)
Power Supply	AC adaptor or Battery pack
AC Adaptor*3	Input: 100 V to 240 V AC, 50 Hz/60 Hz Output: 16.0 V DC, 2.5 A
Battery Pack	Li-ion 7.4 V, 5.2 Ah
Operating Time*4	Approx. 4.5 hours to 14 hours*5 (Approx. 7 hours)*6
Charging Time*4	Approx. 4 hours
Power Consumption*7	Approx. 10 W *8/ Approx. 30 W (Maximum when recharging in the ON state)
Physical Dimensions (W × H × D)	267 mm × 208 mm × 36 mm (excluding protrusion) {10.5 " × 8.2 " × 1.4 "}
Weight	Approx. 1.2 kg {Approx. 2.6 lb.}
Operation Environment	Temperature: 5 °C to 35 °C {41 °F to 95 °F} Humidity: 30% to 80% RH (No condensation)
Storage Environment	Temperature: -20 °C to 60 °C {-4 °F to 140 °F} Humidity: 30% to 90% RH (No condensation)
Operating System	Microsoft® Windows® CE 5.0 Professional

Software	Microsoft® Remote Desktop Connection, Citrix® ICA® Client, Microsoft® Internet Explorer 6.0
----------	---

- *1 This slot does not support the MultiMedia card.
Operation has been confirmed for Panasonic SD Memory Cards with up to 2 GB capacity.
- *2 Theoretical value and not the actual speed. The transfer rate does not become higher even if you use a card that supports the higher transfer rate.
- *3 <Only for North America>
The AC adaptor is compatible with power sources up to 240 V AC adaptor. The wireless display is supplied with a 125 V AC compatible AC cord.
- *4 Varies depending on the usage conditions.
- *5 Measured using BatteryMark™ Version 4.0.1 (LCD brightness: Maximum - Minimum)
- *6 Measured using MobileMark™ 2002 (LCD brightness: 150 cd/m²)
- *7 Approx. 0.9 W when the battery pack is fully charged (or not being charged) and the wireless display is OFF.
- *8 Rated power consumption

Wireless LAN

Data transfer rates* ⁹	11/5.5/2/1 Mbps (automatically switched)
Standards supported	IEEE802.11b
Transmission method	OFDM system, DS-SS system
Wireless channels used	Channels 1 to 11
RF frequency band	2412-2462 MHz

- *⁹ These are speeds specified in IEEE802.11b standards. Actual speeds may differ.

Bluetooth™

Bluetooth Version	1.2
Transmission Method	FHSS system
Wireless Channels Used	Channels 1 to 79
RF Frequency Band	2.402-2.48 GHz

2 Introduction

Copyright

This manual is copyrighted by Matsushita Electric Industrial Co., Ltd. with all rights reserved. No part of this manual may be reproduced in any form without the prior written permission of Matsushita Electric Industrial Co., Ltd.

No patent liability is assumed with respect to the use of the information contained herein.


© 2006 Matsushita Electric Industrial Co., Ltd. All Rights Reserved.

Disclaimer

Wireless display specifications and manuals are subject to change without notice. Matsushita Electric Industrial Co., Ltd. assumes no liability for damage incurred directly or indirectly from errors, omissions or discrepancies between the wireless display and the manuals.

Trademarks

Microsoft[®], Windows[®] and the Windows logo are registered trademarks of Microsoft Corporation of the United States and/or other countries.

SD Logo is a trademark. 

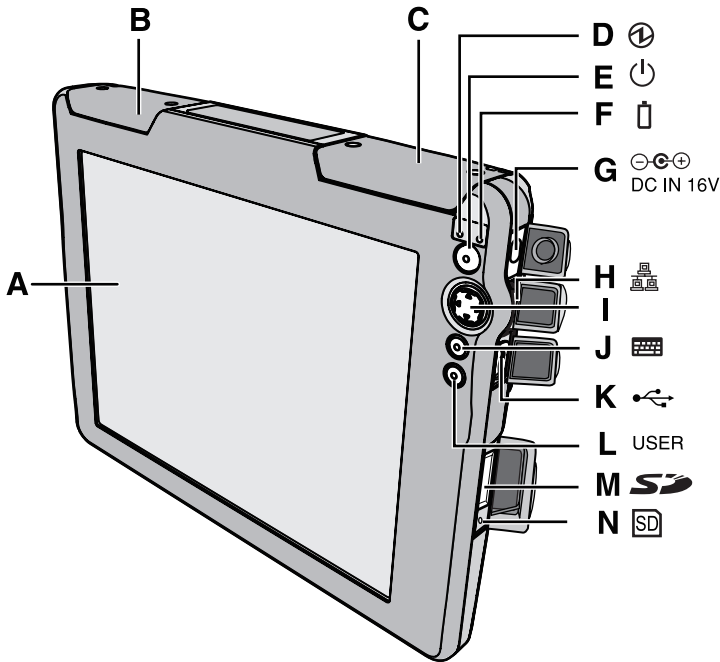
Citrix[®] and ICA[®] protocol are registered trademarks of Citrix Systems, Inc.

Bluetooth[™] is a trademark owned by Bluetooth SIG, Inc., U.S.A. and licensed to Matsushita Electric Industrial Co., Ltd.

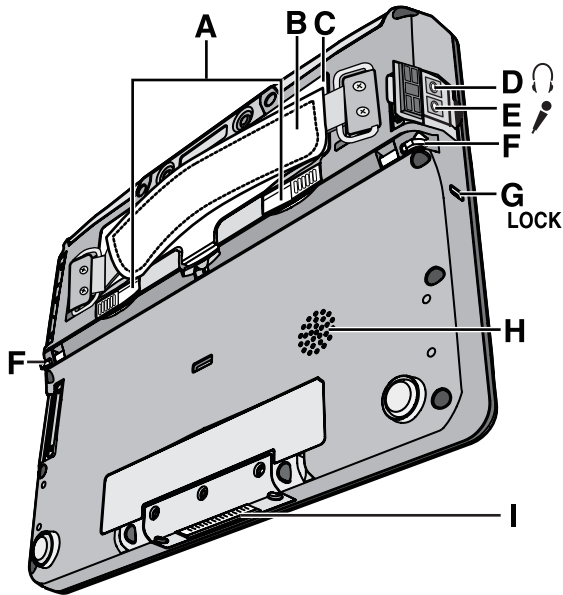
Panasonic[®] is a registered trademark of Matsushita Electric Industrial Co., Ltd.

Names of products, brands, etc., appearing in this manual are trademarks or registered trademarks of their respective own companies.

3 Description of parts



- A. LCD (Touchscreen)
- B. Wireless LAN antenna
- C. Bluetooth antenna
- D. Power status
- E. Power button
- F. Battery status
- G. DC-IN jack
- H. LAN port
- I. Cursor control button
- J. Keyboard button
- K. USB port
- L. USER button
- M. SD Memory Card slot
- N. SD Memory Card status

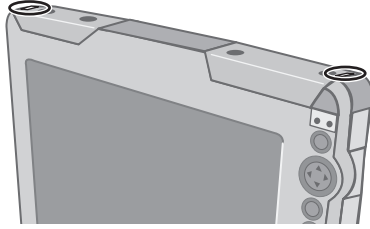


- A. **Battery cover latch**
- B. **Hand strap**
Adjust the length of the belt so that the wireless display does not fall by mistake, and firmly hold the wireless display when using it.
- C. **Battery pack**
- D. **Headphone jack**
You can connect headphones or amplified speakers. When they are connected, audio from the internal speakers is not heard.
- E. **Microphone jack**
Use only monaural condenser microphone (miniature jack). Connecting another type of microphone may interrupt audio input or may cause a malfunction.
- F. **Stylus holder**
- G. **Security lock**
You can connect a Kensington cable. Refer to the instruction manual of the cable.
- H. **Speaker**
- I. **Expansion bus connector**

CAUTION

Do not put metallic objects or magnetic media close to the speaker.
Do not touch the expansion bus connector. The wireless display may no longer function properly if the connector is dirty or damaged.

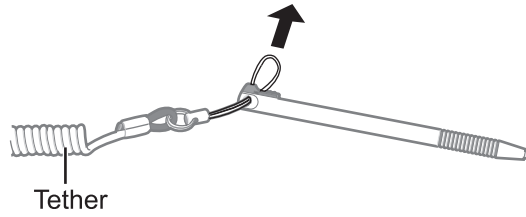
Using the Tether



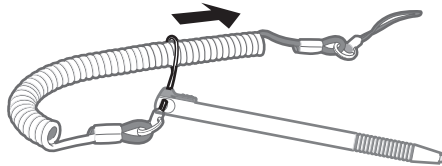
The tether can be attached to the upper right or upper left corner of the display. It prevents the pen (included) from falling accidentally.

Attaching the Tether

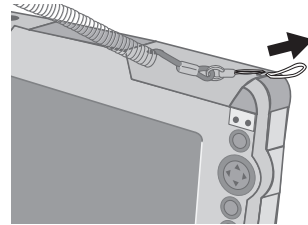
1



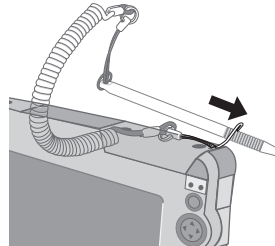
2



3



4






4 Starting up/Shutting Down

Starting Up


1 Turn on the wireless display.	
When you log on as a Supervisor	When you log on as a User
Press the power button with the USER button pressed. <ul style="list-style-type: none"> If you do not do so, even when you set enter the Supervisor Password, the wireless display will run in the User operating environment. 	Press the power button.

2 When the [Enter Password] screen appears, enter the password, and then tap [OK]. When you log on as a User When the check mark is added for [Skip Password Dialog] of the [User] tab in [Security (Supervisor)], the [Enter Password] screen is not displayed.

3 Connect to the server.	
When making connections with Microsoft® Remote Desktop Connection	When making connections with Citrix® ICA® Client
Double-tap  *1 on the desktop. XXX The server desktop screen will appear.	Double-tap  *2 the desktop. XXX
*1 The file name entered when making the server setting will appear instead of “XXX”. <ul style="list-style-type: none"> When you do not add the check mark for [Save my password] in “When making connections with Microsoft® Remote Desktop Connection” step C of “First-time Operation” step 7 Enter the password, and then tap [OK]. 	*2 The file name entered when making the server setting will appear instead of “XXX”.
	When making connections with Microsoft® Internet Explorer
	Double-tap  on the desktop. Internet Explorer

NOTE

When logged on as a User, the security setting screen can be displayed using the following procedure.

- ① Double-tap  Control Panel on the desktop.
- ② Double-tap [Security (User)].
The following screen will appear.



A. Auto Launch

B. Wait for Network Connection

- When the Supervisor does not add the check mark for [Allow Change Auto Launch] in the [User] tab of the [Security Settings (Supervisor)] screen, [Auto Launch] and [Wait for Network Connection] cannot be set here.

C. Password

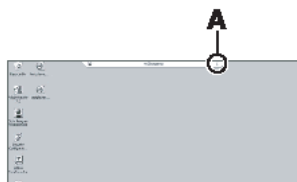
To set the password

- If a User Password has been set in the [User] tab of [Security (Supervisor)] screen, User cannot delete a password.
- If a User Password has not been set in the [User] tab of [Security (Supervisor)] screen, User cannot create a new password.

When terminating the connection



Perform the following operation.

Tap [Start] - [Log Off] - [Log Off].



<Only when making connections with Microsoft® Remote Desktop Connection>

You can terminate the connection using the following operation.

Tap  (A), and when the message appears, tap .

CAUTION

If you tap [Start] - [Shut Down], the power for the server itself will be turned off.

Make the settings (only for the Supervisor)


When settings have been changed

Before turning off the wireless display, save (back up) the settings making reference to step 9 in “First-time Operation”.

When deleting settings


Perform the following procedure.



A Double-tap  on the desktop and double-tap [Flash Delete].

B Connect your wireless display to a power outlet.

C Tap [Delete Backup].
When the confirmation message appears, tap [Yes].
Deleting data will start.

D When the message “Backup data has been deleted.” appears, tap .

NOTE

When you turn on the wireless display next time, the calibration screen will appear.

When returning the wireless display to its condition at the time of shipment

Perform the following procedure while the wireless display is turned off.

- A** Connect your wireless display to a power outlet.
- B** Press the power button with the keyboard button and USER button pressed until the message “Reset the device to factory default...” appears.
When the [Enter Password] screen appears, enter the Supervisor Password and tap [OK].
- C** Select [Yes].

NOTE

When you turn on the wireless display next time, the calibration screen will appear.

Shutting Down (power off the wireless display)

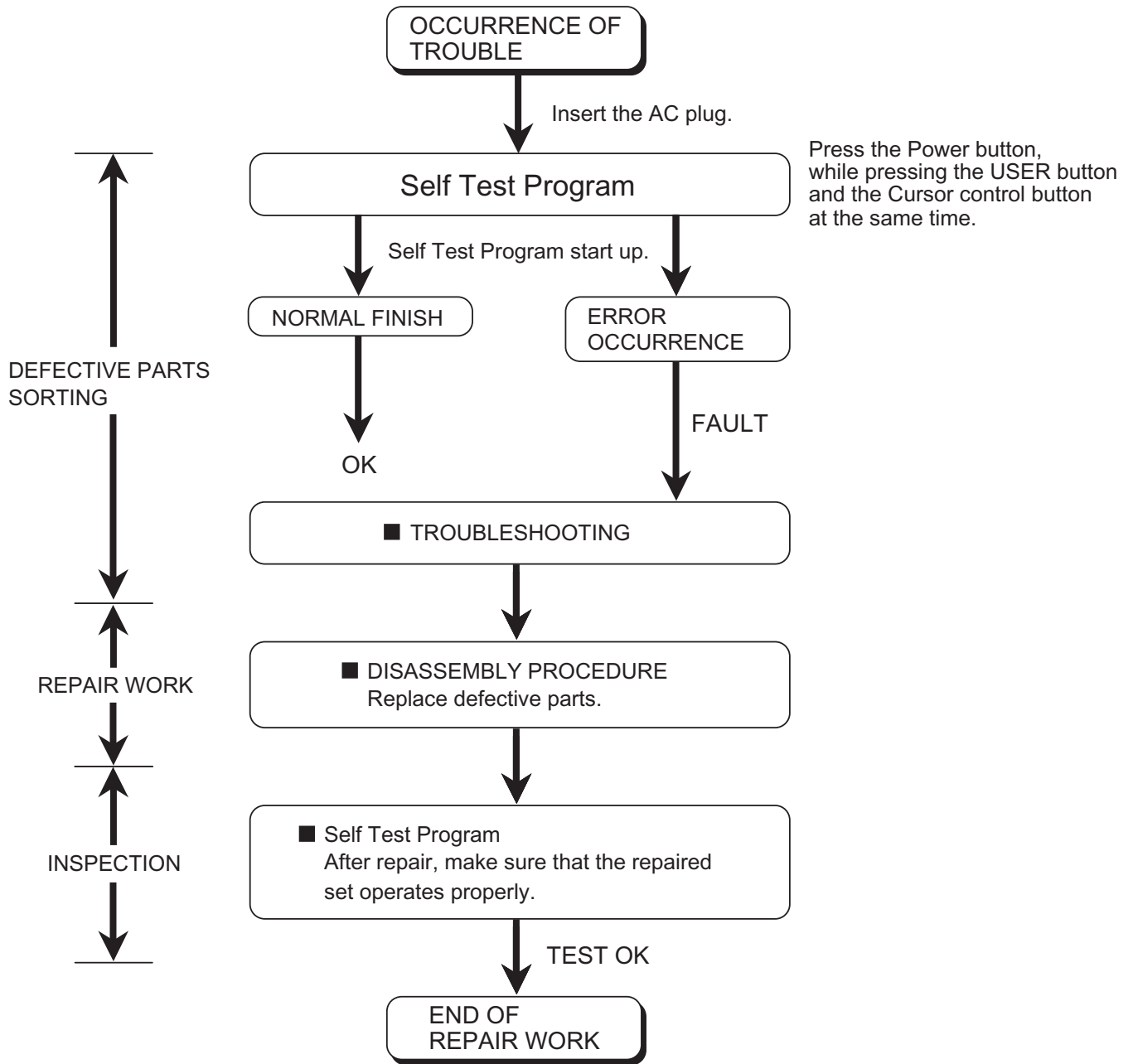
- 1 Press the power button for one or two seconds until the message “Preparing to Power off...” appears.**
When shutting down forcefully, press the power button for four seconds or longer.

5 Diagnosis & Repair

5.1. Basic Procedures

The basic procedures for diagnosis, disassembly, and test of defective parts of a set to be repaired are summarized below. For details, refer to relevant pages in the Service Manual.

- Flow Chart

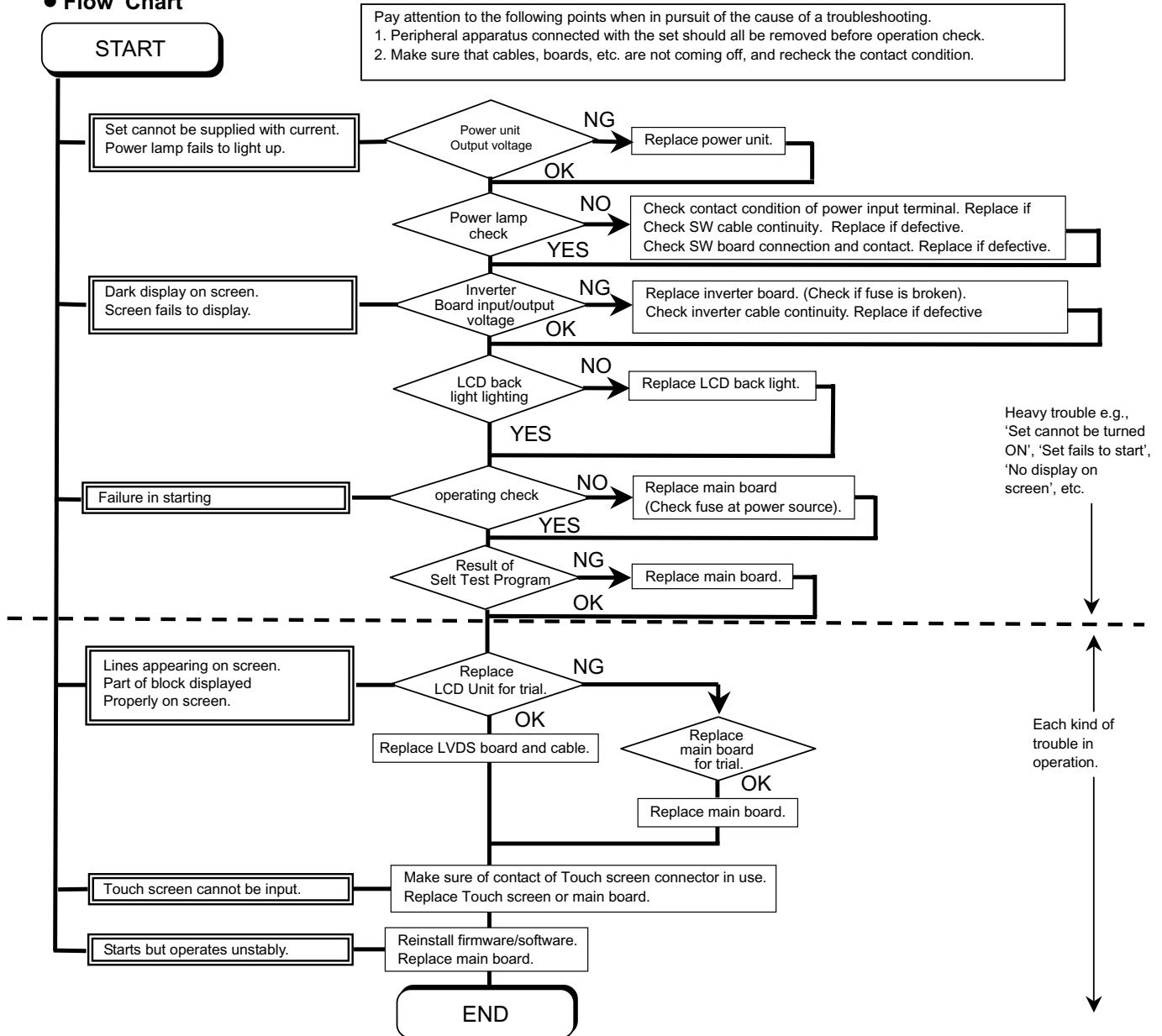


5.2. Troubleshooting

Please take note of the following two points with regard to troubleshooting:

1. Know-how of diagnosis upon occurrence of heavy troubles, e.g. 'Set cannot be turned ON', 'Set fails to start', 'No display on screen', etc.
2. Explanation of each trouble, mainly symptom of trouble in operation.

● Flow Chart



5.3. Self Test Program

1. Introduction

This description explains Self-Test Program of this Test.

2. How to Start-up

(1) Connect the AC adaptor. (Unless you connect the AC adaptor, the Self-Test Program does not start.)

(2) Connect the AC adaptor. Press the USER button and Cursor Control button at the same time, then press the Power button to turn on the computer. Self-Test Program starts automatically.

3. Self-Test

This test is to check if the device is disconnected.

3.1. Test Items

Conduct the device test in the following order.

- (1) CPU Type check
- (2) SDRAM march test
- (3) Test register check for the source microcomputer
- (4) ID check and frame buffer test for 2700G(GRAPHIC)
- (5) Test register and chip ID test for LAN9118
- (6) Card detection pin check and tuple information check for PCMCIA

3.1.1. CPU Type check

Check if the CPU is mounted with Intel PXA270 C5 Stepping.

3.1.2. SDRAM march test

Conduct the march test for the main-64MB and 2700G-VRAM8MB.

3.1.3. Test register check for the source microcomputer.

Check the test register of the source microcomputer

3.1.4. ID check for 2700G

Confirm the ID of 2700G.

3.1.5. Chip ID check for LAN9118

Check the test register and chip ID of LAN9118.

3.1.6. Card detection pin check and tuple information check for PCMCIA

When you cannot obtain the tuple information, wait 0.5 second, then try to obtain the information by calling for API. Repeat this up to 10 times. (The maximum time required: 5 seconds.)

3.2. Display during the test

The following characters are shown during the Self-Test.

```
*** SELF TEST ***
```

```
Now Testing...
```

3.3. Test Result

When the Self Test ends normally, each test result is shown on the display. The same result as Overall Result is shown underneath.

If the results of all items are OK, the following display appears.

*** SELF TEST ***

CPU Type : OK
SDRAM March Test : OK
Embedded Controller : OK
2700G : OK
LAN9118 : OK
PCMCIA : OK

Overall Result : OK

If only the PCMCIA result is NG, the following display appears.

*** SELF TEST ***

CPU Type : OK
SDRAM March Test : OK
Embedded Controller : OK
2700G : OK
LAN9118 : OK
PCMCIA : NG

Overall Result : NG

After the test result is shown on the display, the program hangs.


4. How to Restart

To restart the computer, either disconnect the AC adaptor, or press and hold the power button more than 4 seconds.

6 Troubleshooting

Follow the instructions below when a problem has occurred. For a software problem, refer to the software's instruction manual. If the problem persists, contact your technical support office.

Starting Up

Cannot start up. The power indicator or battery indicator is not lit.	Connect the AC adaptor. Insert a fully charged battery. Remove the battery pack and the AC adaptor, then connect them again.
Cannot turn on the wireless display.	Leave it in an environment of 5 °C {41 °F} or higher temperature for about an hour, then turn on the power once more.
You have forgotten the password.	Supervisor Password or User Password: Contact your technical support office.
The date and time are incorrect.	Make the correct settings. Double-tap  on the desktop, and double-tap [Date/Time].
Other startup problems.	Remove all peripheral devices.

Display

No display.	The display is turned off by the power-saving function. To resume, touch the LCD. The wireless display powers off by the power-saving function. To power on, press the power button.
The screen is dark.	Adjust the brightness. As you increase the brightness, battery consumption increases.

Touchscreen

The cursor does not work.	When using the external mouse, connect it correctly.
Cannot point the correct position using the included stylus.	Perform the touchscreen calibration .

Shut Down

Cannot shut down.	Press the power button for four seconds or longer to shut down the wireless display.
-------------------	--

Sound

No sound.	Confirm the volume for [Quick Menu] or [Volume & Sounds] in Control Panel.
Unable to hear sound in stereo.	Playback conditions vary depending on the server. <ul style="list-style-type: none">• If you are connecting through Microsoft® Remote Desktop Connection or a web server, you will hear monaural sound even if the original sound is stereo.• For playback conditions when connecting through Citrix® Presentation Server 4.0, refer to the Citrix manual for details.

Wireless Communication

Cannot connect to network.	Check the network settings. You may experience interference with other wireless LAN access points. Verify that each wireless LAN access point is set to a different channel.
----------------------------	--

Connecting Peripherals

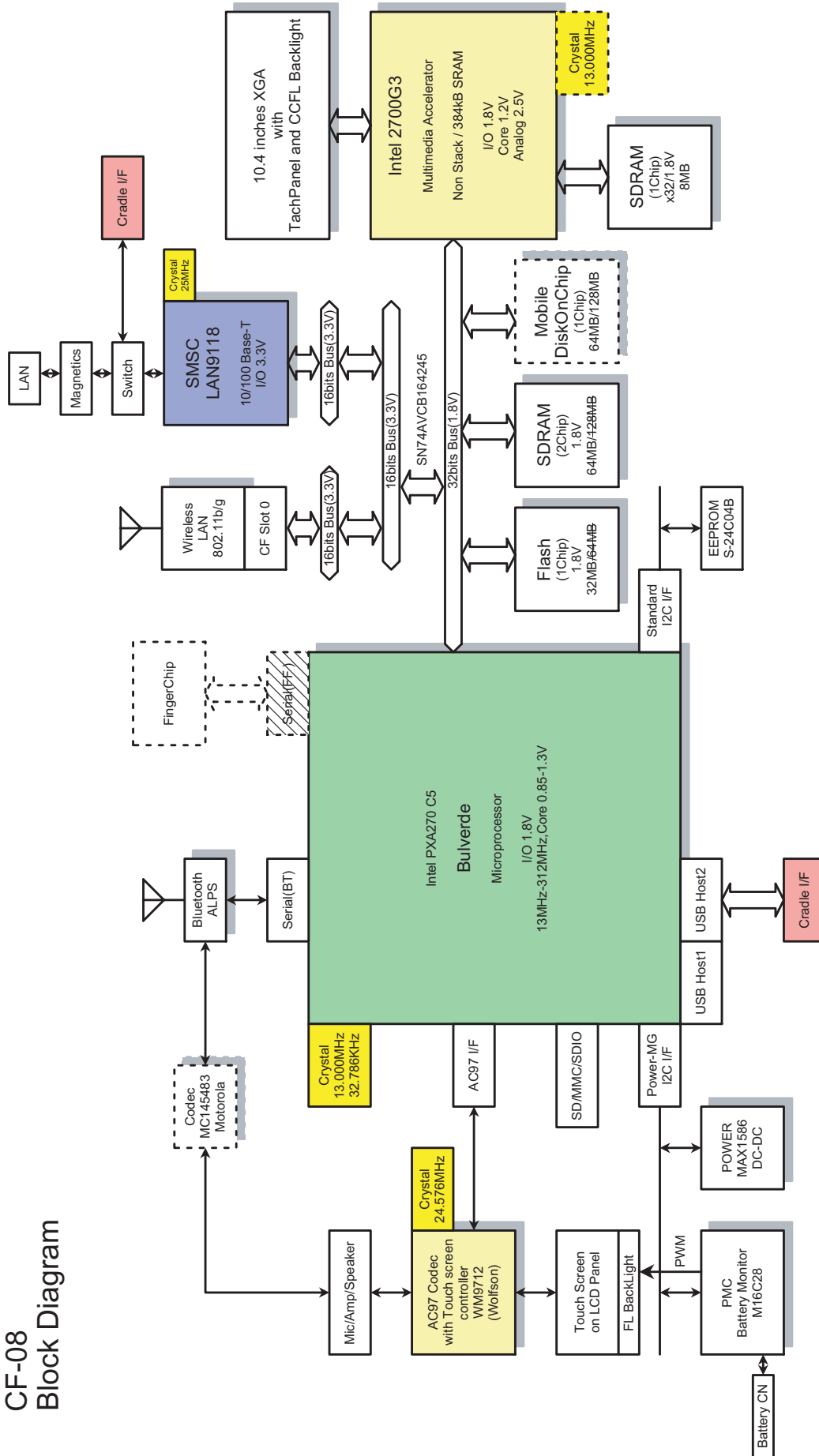
The connected keyboard and mouse do not work.	Check the keyboard and mouse connection.
The device connected to the serial port does not work.	Check the connection. The device driver may not work. Refer to the instruction manual of the device. Do not connect two mouse devices simultaneously.
Cannot print.	Check the printer connection. Turn on the printer. The printer is not online. No paper is in the printer tray or there is a paper jam. Turn on the printer and connect it to the wireless display, and then turn on the wireless display.

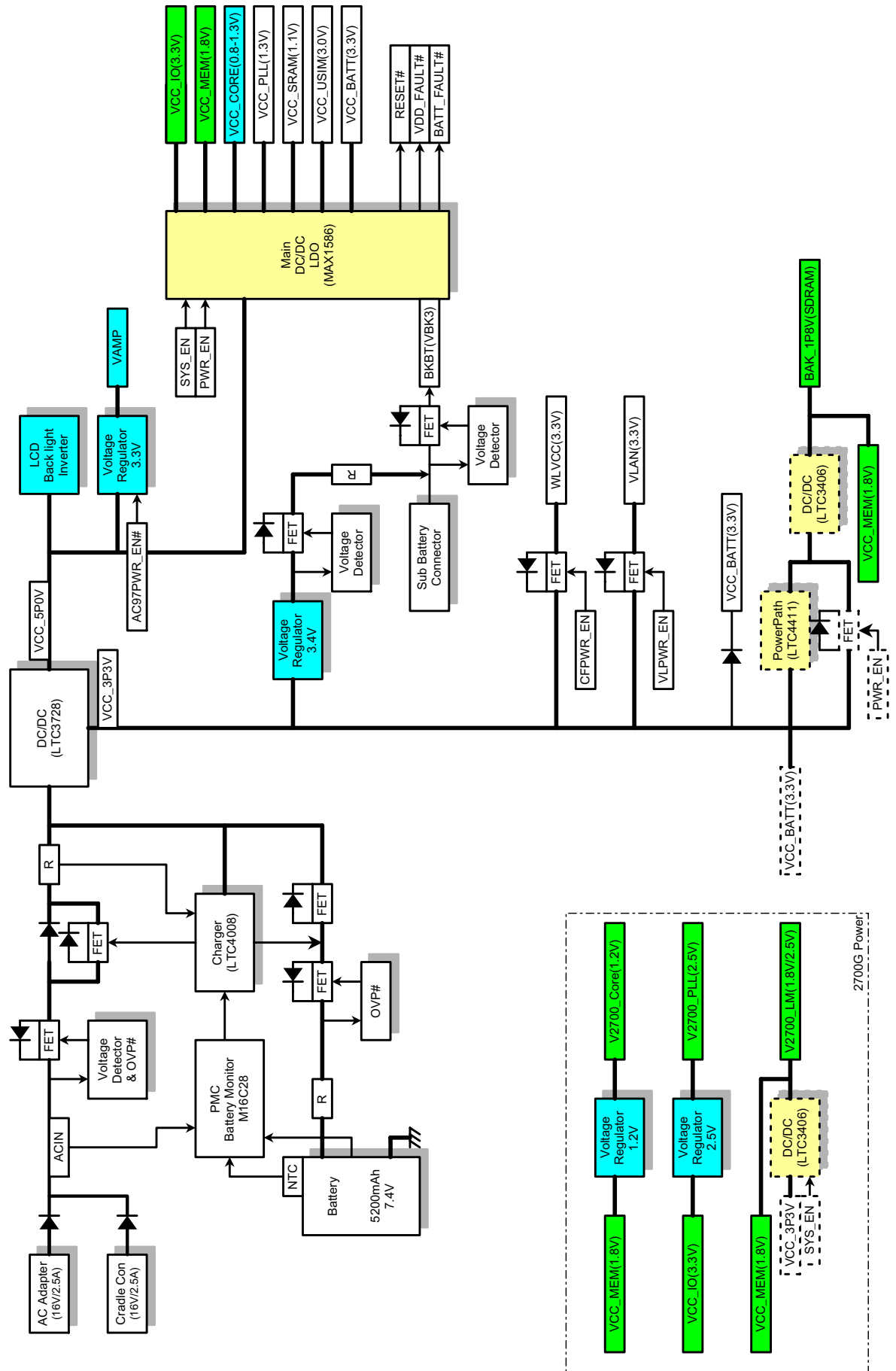
Others

No response.	The screen content may not display correctly due to poor signal quality. In such case, move to a place where signal quality is good then make a connection. Press the power button for four seconds or longer to shut down the wireless display, and then press the power button to turn it on.
--------------	--

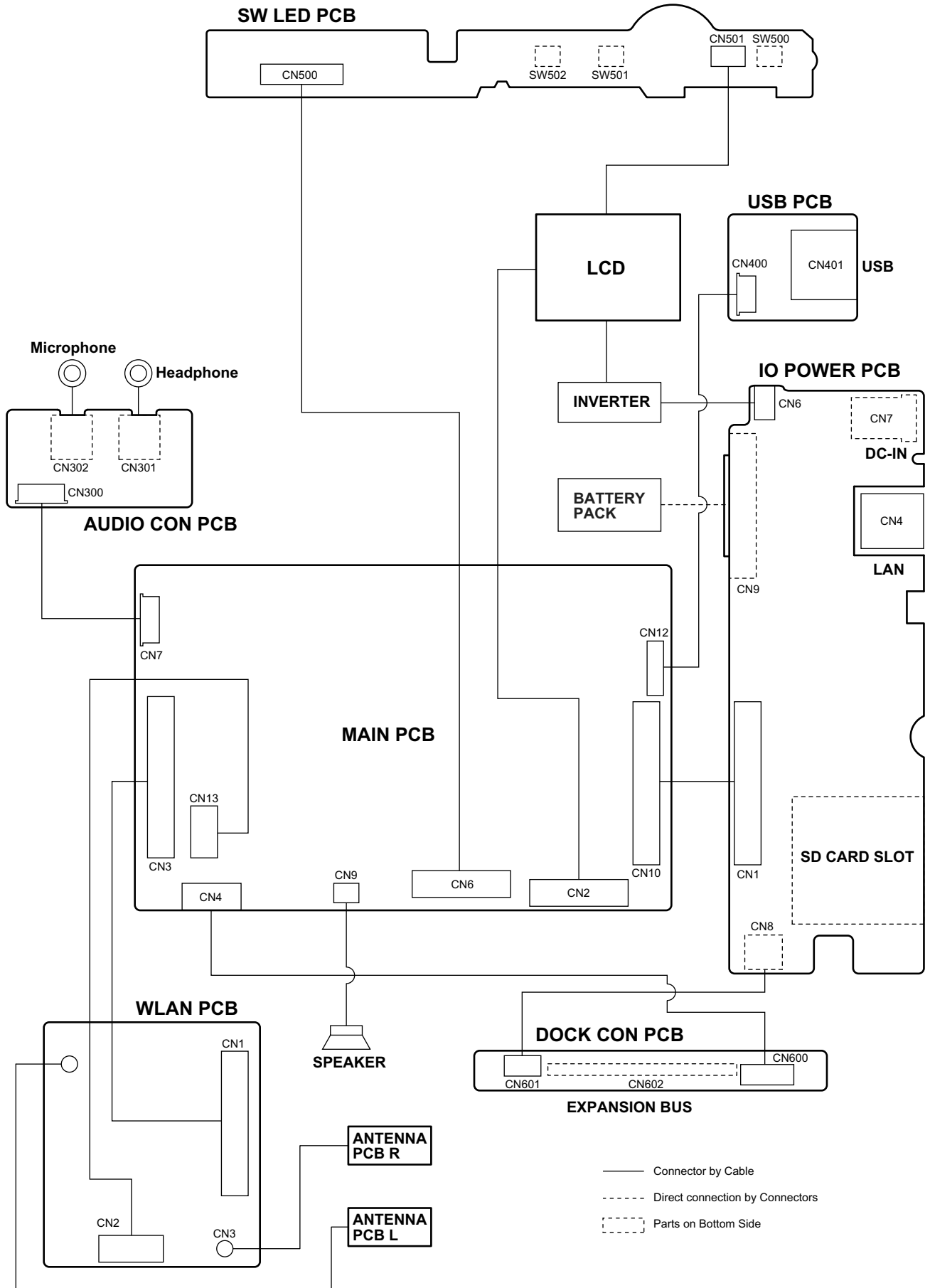
7 Block Diagram

CF-08
Block Diagram





8 Wiring Connection Diagram



9 Disassembly/Reassembly

Note:

Power off the computer. Do not shut down to the Suspend or hibernation mode.

Do not add peripherals while the computer is in the Suspend or hibernation mode; abnormal operation may result.

9.1. Disassembly Instructions

9.1.1. Preparation

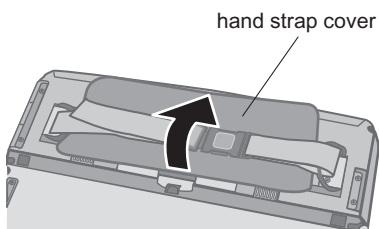
Be sure to make the following preparations before disassembling.

- Shut down Windows and turn off the power.
- Disconnect the AC adaptor.
- Remove other devices if they are connected.

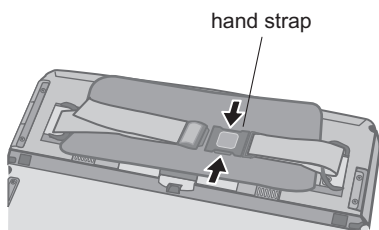
Attention:

- Please execute writing BIOS ID when you exchange the Main Board.
- Parts (Sheet and rubber) etc. related various the Conductive Cloth and Heat Spreader cannot be recycled. Use new parts.

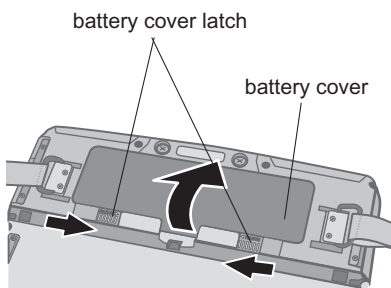
9.1.2. Removing the Battery Pack



1. Open the hand strap cover.

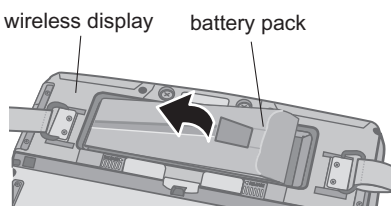


2. Remove the hand strap.

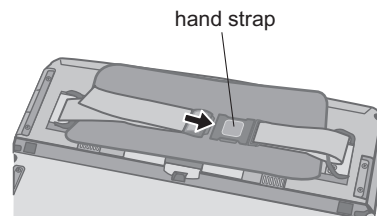


3. Slide the Battery cover latch.

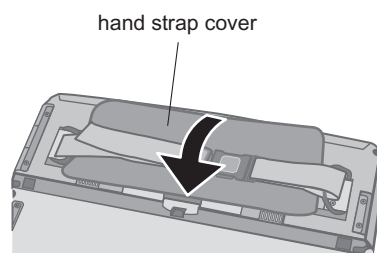
4. Open and remove the Battery cover.



5. Pull the tab of the Battery Pack and remove it from the wireless display.

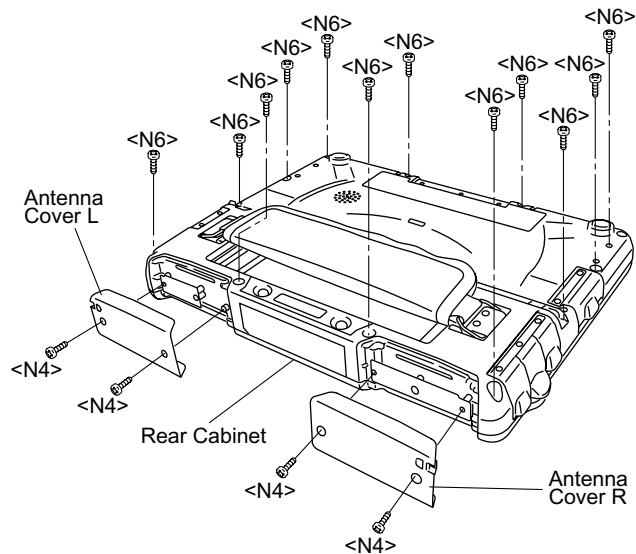


6. Attach the hand strap.



7. Close the hand strap cover.

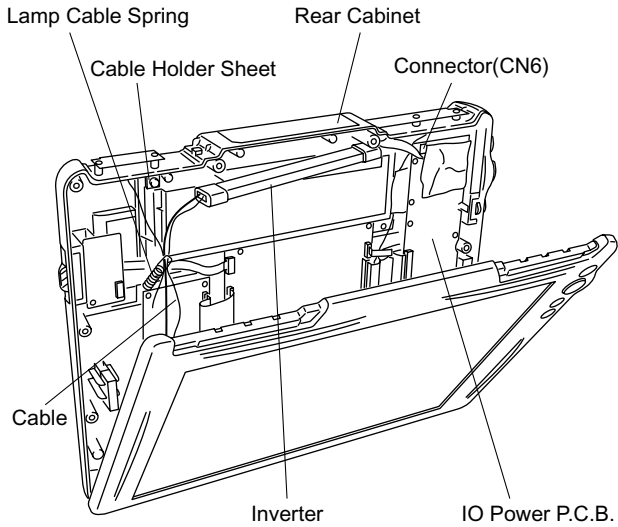
9.1.3. Removing the Display Unit



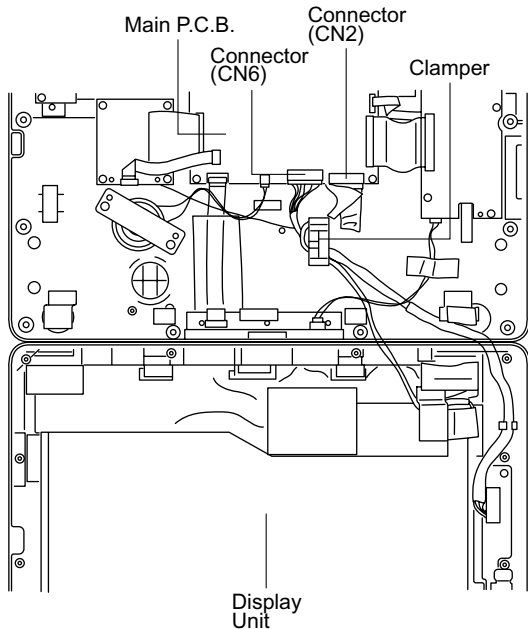
1. Remove the two Screws <N4> and the Antenna Cover L.

2. Remove the two Screws <N4> and the Antenna Cover R.

3. Remove the 12 Screws <N6>.



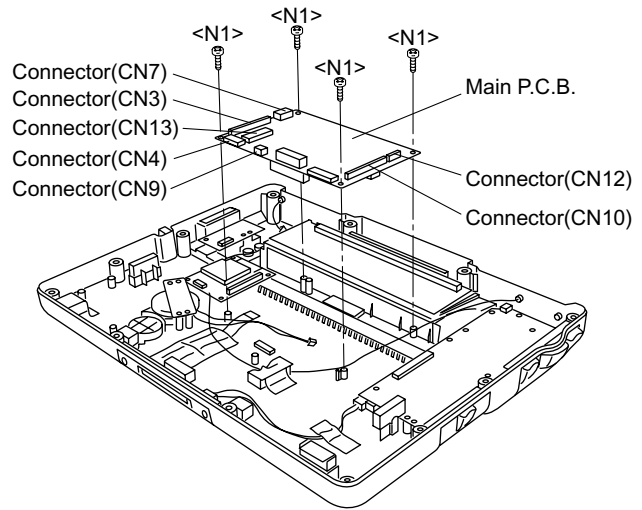
4. Remove the Cable Hold Sheet while opening the Rear Cabinet ASS'Y slowly.
5. Remove the Cable hooked on the Lamp Cable Spring.
6. Remove both the Inverter and the Inverter Case.
7. Remove the Connector (CN6) connected to the IO Power PCB.
8. Open the Rear Cabinet.



9. Remove the Clamper and the Connectors (CN2, CN6) connected to the Main PCB.
10. Remove the Display Unit.

Screws <N4>:DXSB2+6FNL
Screws <N6>:DXYN26+J6FNL

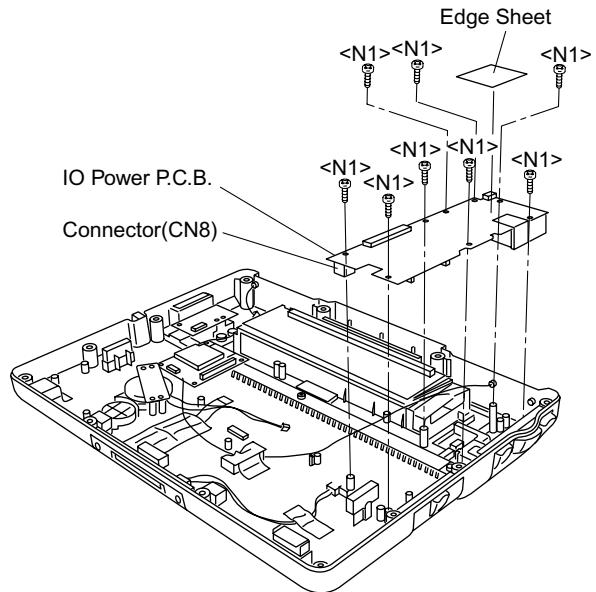
9.1.4. Removing the Main PCB



1. Disconnect the seven Cables from the Connectors (CN3,CN4,CN7,CN9,CN10,CN12,CN13).
2. Remove the four Screws <N1>.
3. Remove the Main PCB.

Screws <N1>: XSB2+4FNL

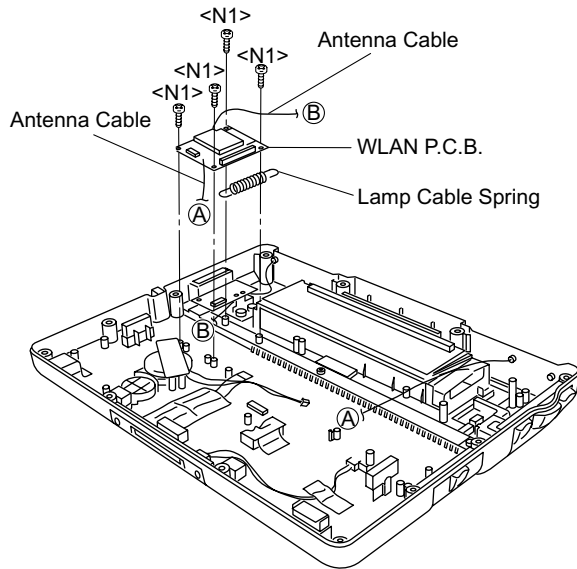
9.1.5. Removing IO Power PCB



1. Disconnect the Cable from the Connector (CN8).
2. Remove the Edge Sheet.
3. Remove the eight Screws <N1>.
4. Remove the IO Power PCB.

Screws <N1>:XSB2+4FNL

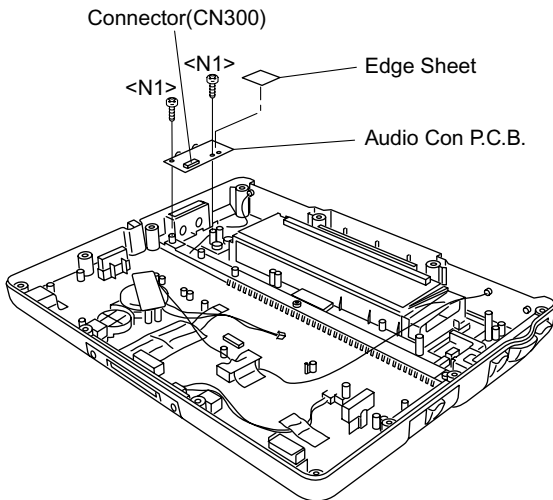
9.1.6. Removing the WLAN PCB



1. Remove the two Antenna Cables.
2. Remove the four Screws <N1>.
3. Remove the Lamp Cable Spring.
4. Remove the WLAN PCB.

Screws <N1>:XSB2+4FNL

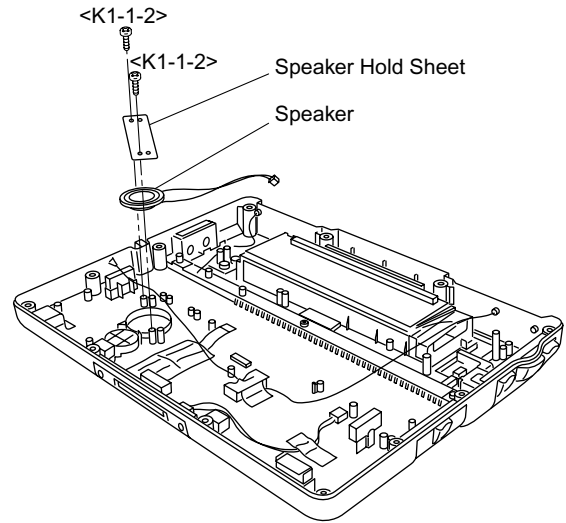
9.1.7. Removing the Audio Con PCB



1. Disconnect the Cable from the Connector (CN300).
2. Remove the Edge Sheet.
3. Remove the two Screws <N1>.
4. Remove the Audio Con PCB.

Screws <N1>:XSB2+4FNL

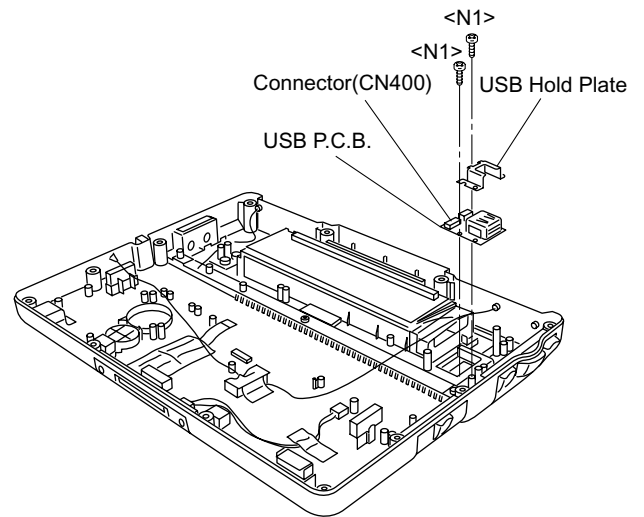
9.1.8. Removing the Speaker



1. Remove the two Screws <K1-1-2>.
2. Remove the Speaker Hold Sheet.
3. Remove the Speaker fixed with the two-sided tape.

Screws <K1-1-2>:XSB2+4FNL

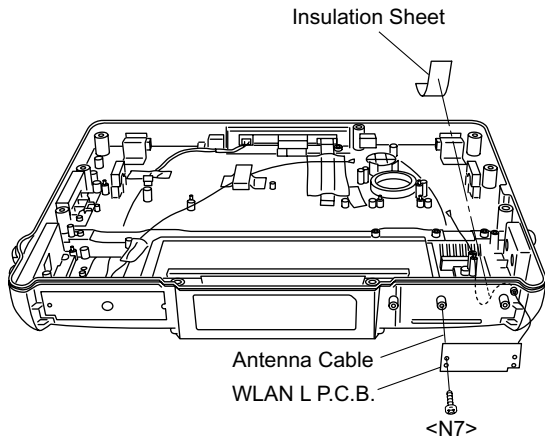
9.1.9. Removing the USB PCB



1. Remove the two Screws <N1>.
2. Disconnect the Cable from the Connector (CN400).
3. Remove the USB Hold Plate and the USB PCB.

Screws <N1>:XSB2+4FNL

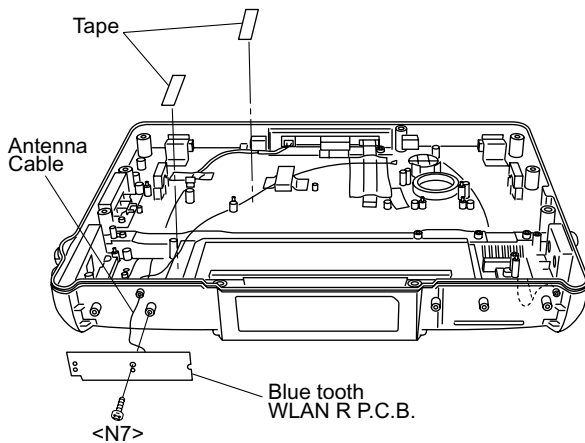
9.1.10. Removing the WLAN L PCB



1. Remove the Insulation Sheet.
2. Remove the Screw <N7>.
3. Remove both the Antenna Cable and the WLAN L PCB.

Screw <N7>:DFHE5025XA

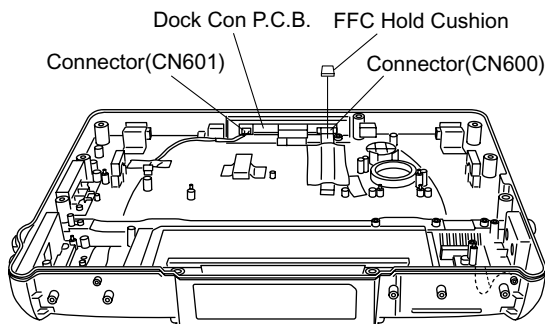
9.1.11. Removing the Bluetooth WLAN R PCB



1. Remove the two tapes.
2. Remove the Screw <N7>.
3. Remove both the Antenna Cable and the Bluetooth WLAN R PCB.

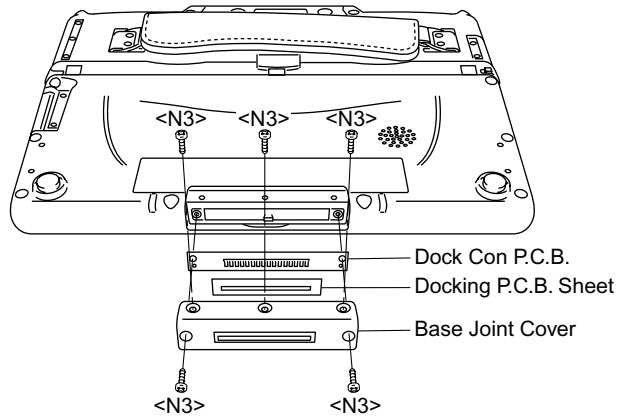
Screw <N7>:DFHE5025XA

9.1.12. Removing the Dock Con PCB



1. Remove the FFC Hold Cushion.
2. Disconnect the two Cables from the Connectors

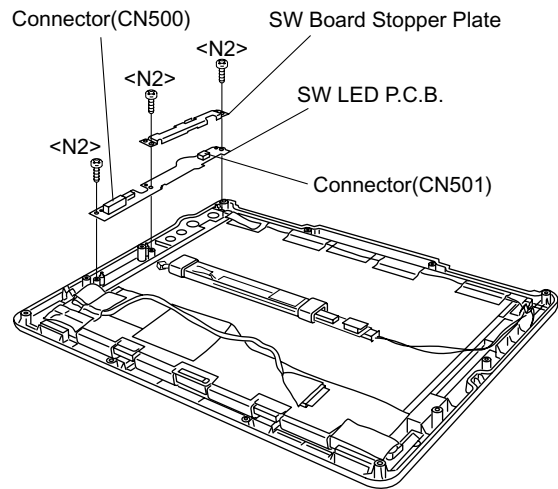
(CN600,CN601).



3. Remove the five screws <N3>.
4. Remove the Base Joint Cover, the Docking PCB Sheet and the Dock Con PCB.

Screws <N3>:DXQT26+D5FNL

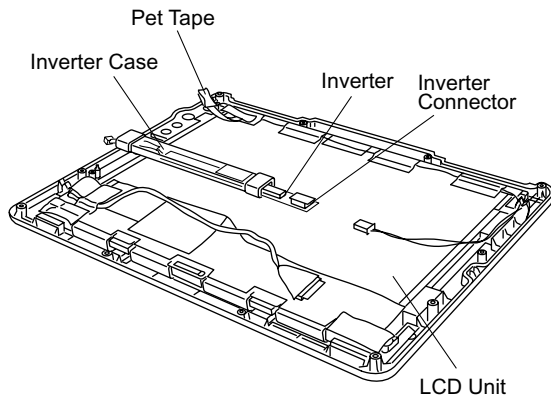
9.1.13. Removing the SW LED PCB



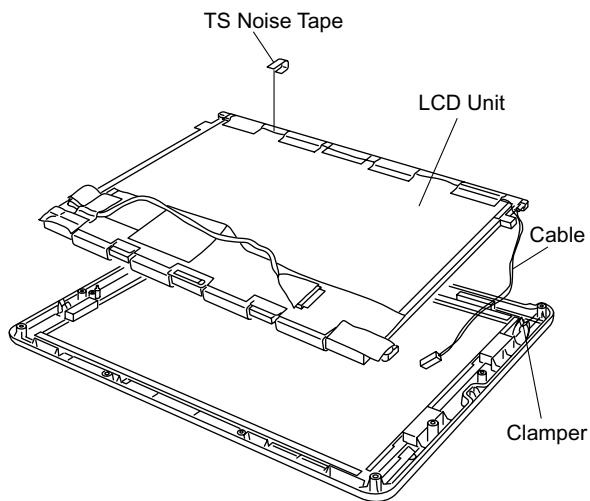
1. Remove the three Screws <N2>.
2. Remove the SW Board Stopper Plate.
3. Disconnect the two Cables from the Connectors (CN500,CN501).
4. Remove the SW LED PCB.

Screws <N2>:DRSB2+5FKL

9.1.14. Removing the LCD Unit and the Inverter



1. Disconnect the Cable from the Inverter Connector.
2. Remove the Inverter with the Inverter Case.
3. Remove the Pet Tape.



4. Remove the TS Noise Tape.
5. Remove the Cable from the Clamper.
6. Remove the LCD Unit.

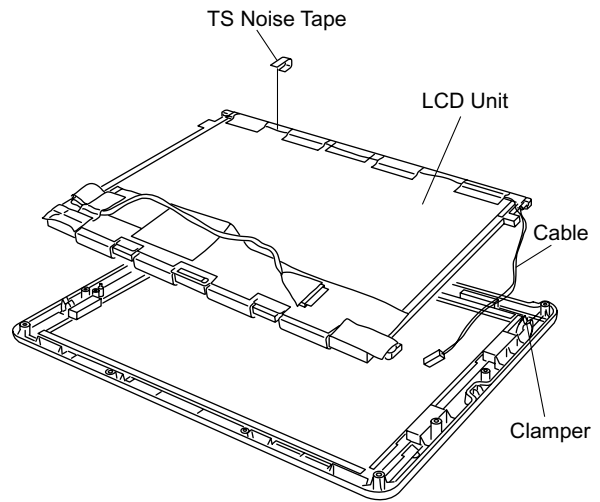
9.2. Reassembly Instructions

9.2.1. Attention when CF-08 series is repaired

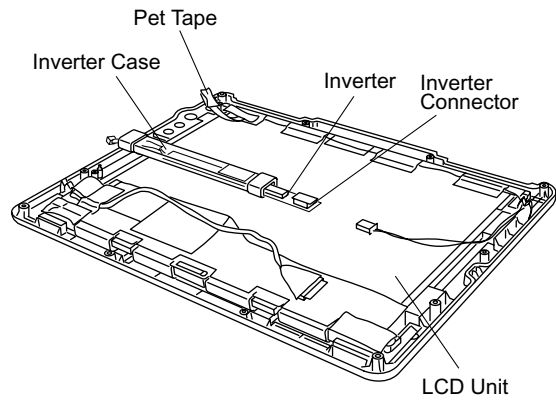
- Please execute writing BIOS ID when you exchange the Main Board.
- Parts (Sheet and rubber) etc. related various the Conductive Cloth and Heat Spreader cannot be recycled. Use new parts.

9.2.2. Setting the LCD Unit and the Inverter

1. Attach the LCD Unit.
2. Attach the TS Noise Tape.
3. Put the Cable into the Clamper.

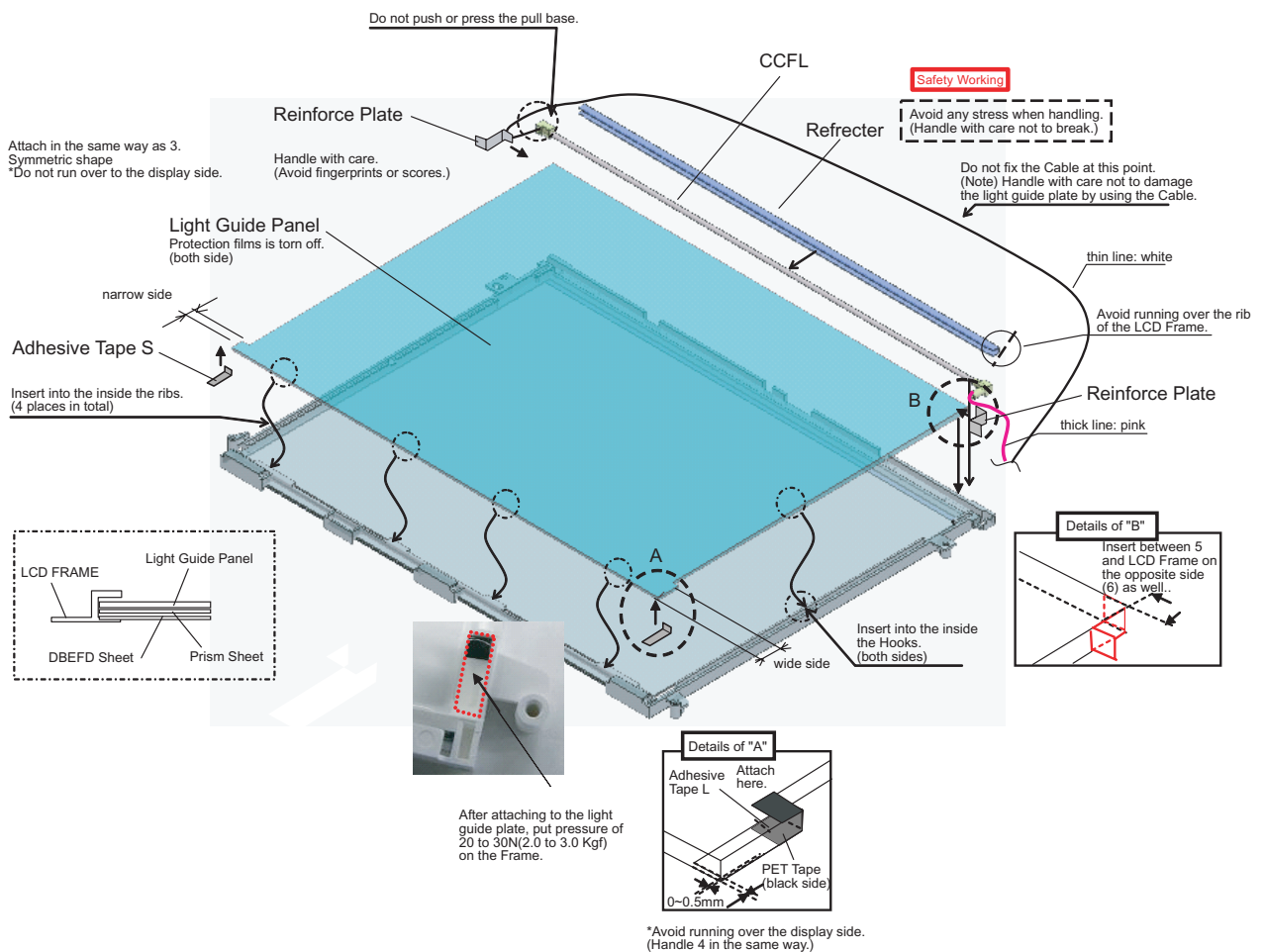
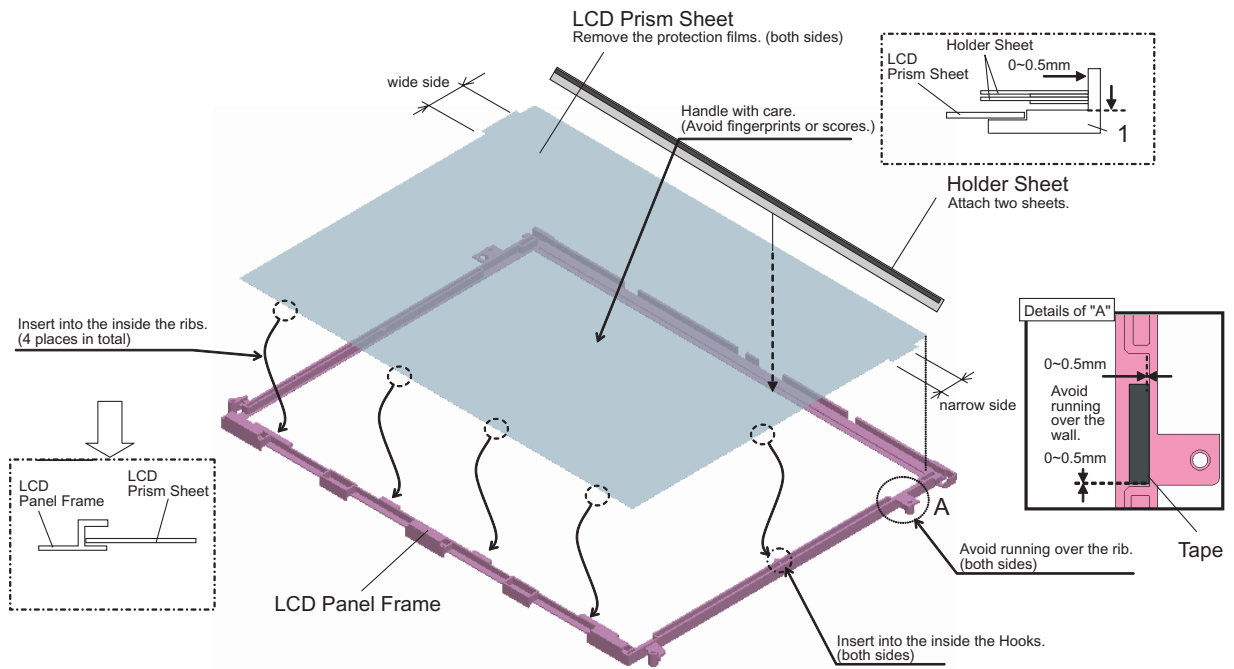


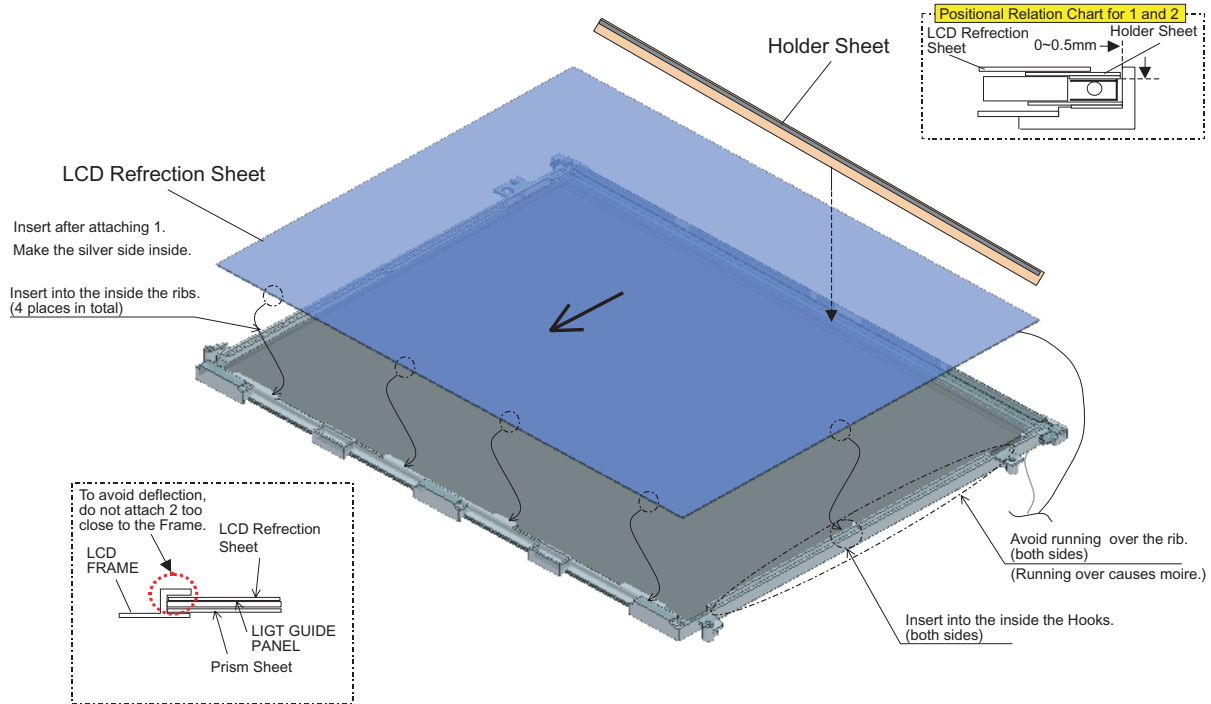
4. Attach the Pet Tape.
5. Connect the Cable to the Inverter connector.



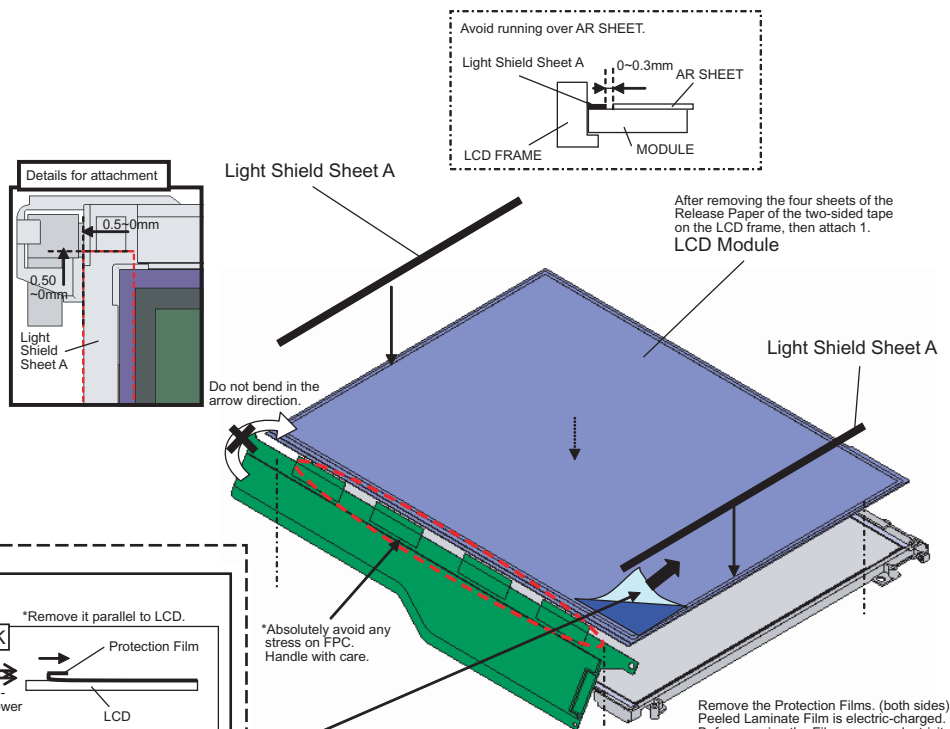
■ Preparations for backlight

For appearance standard information of the LCD process, refer to the "Common Assembly Instruction Manual".

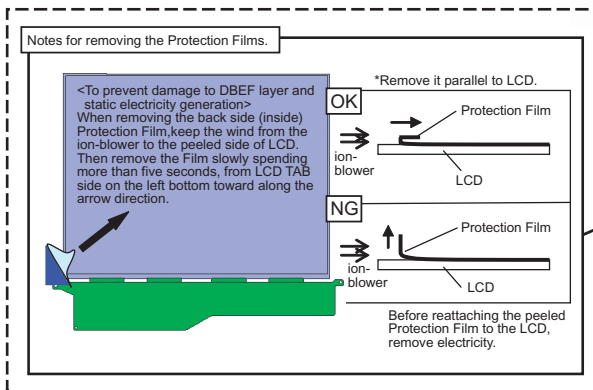


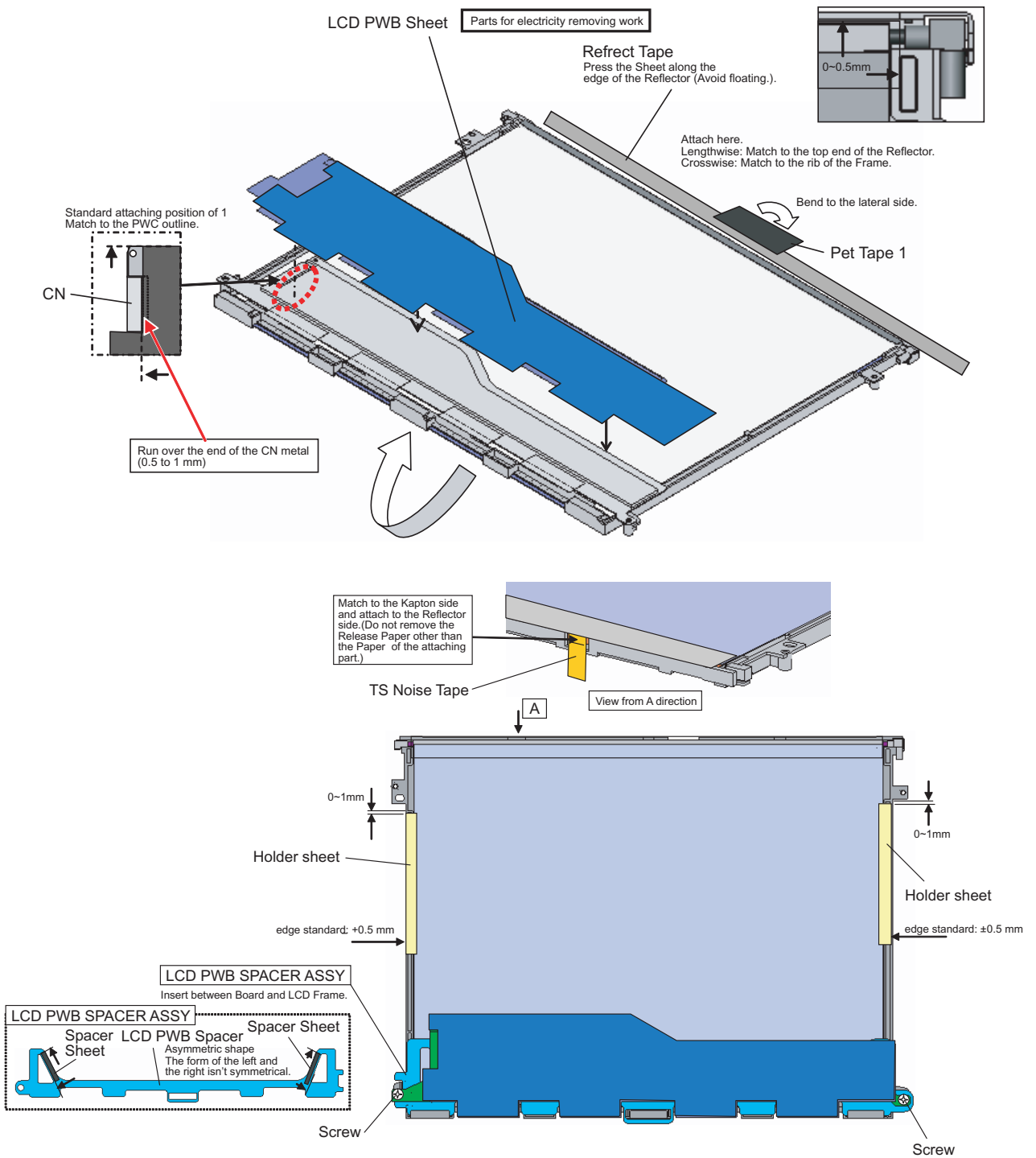


■ Assembly of the LCD

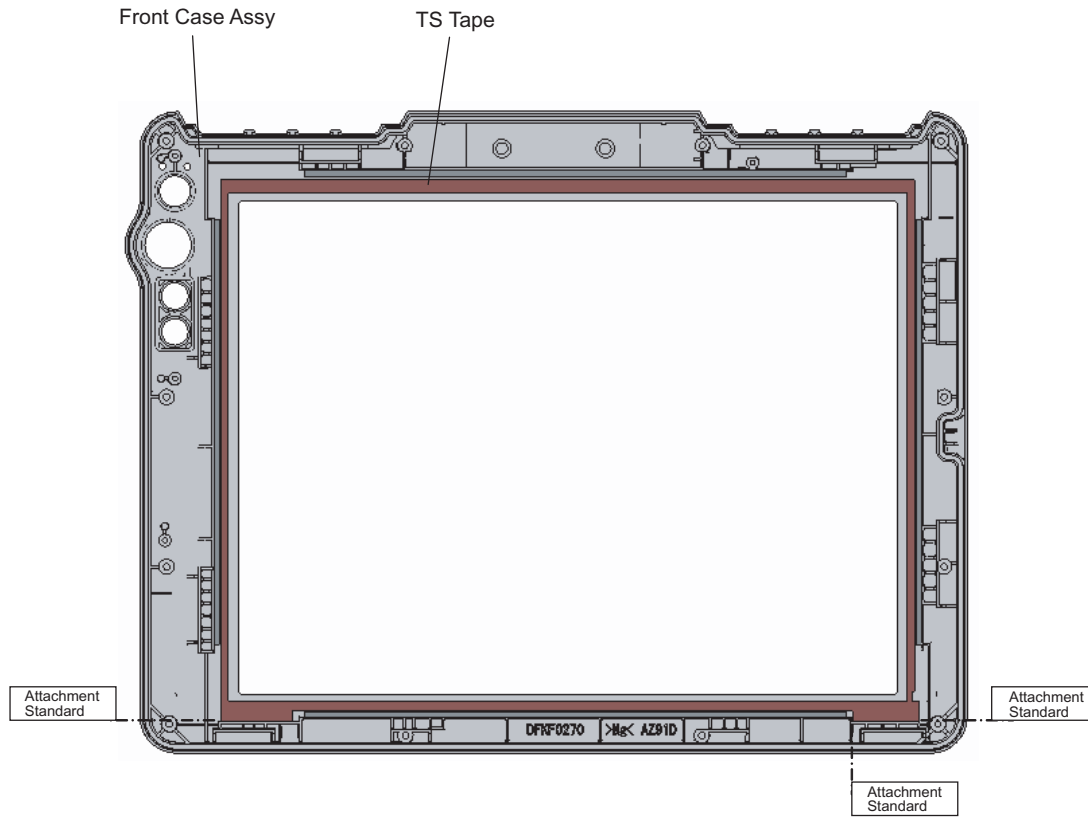


Safety Working

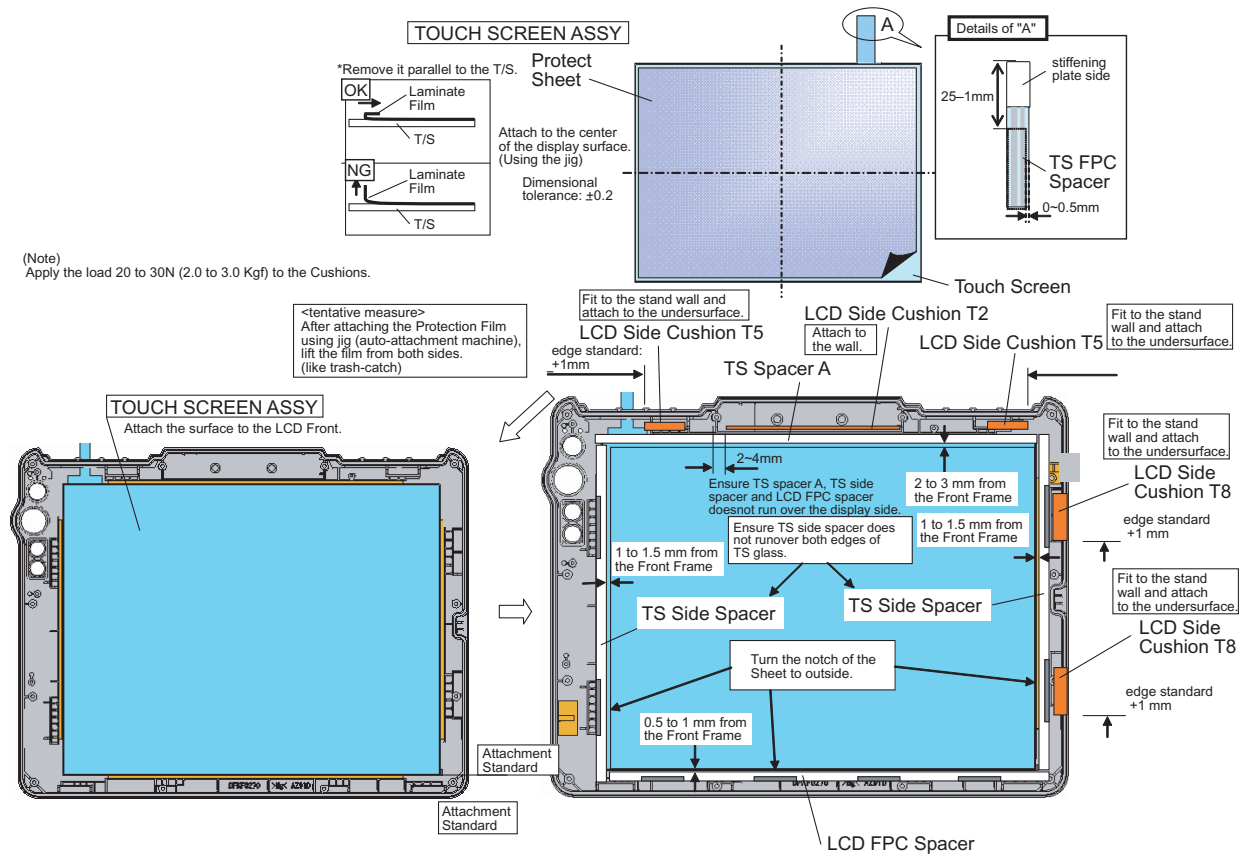




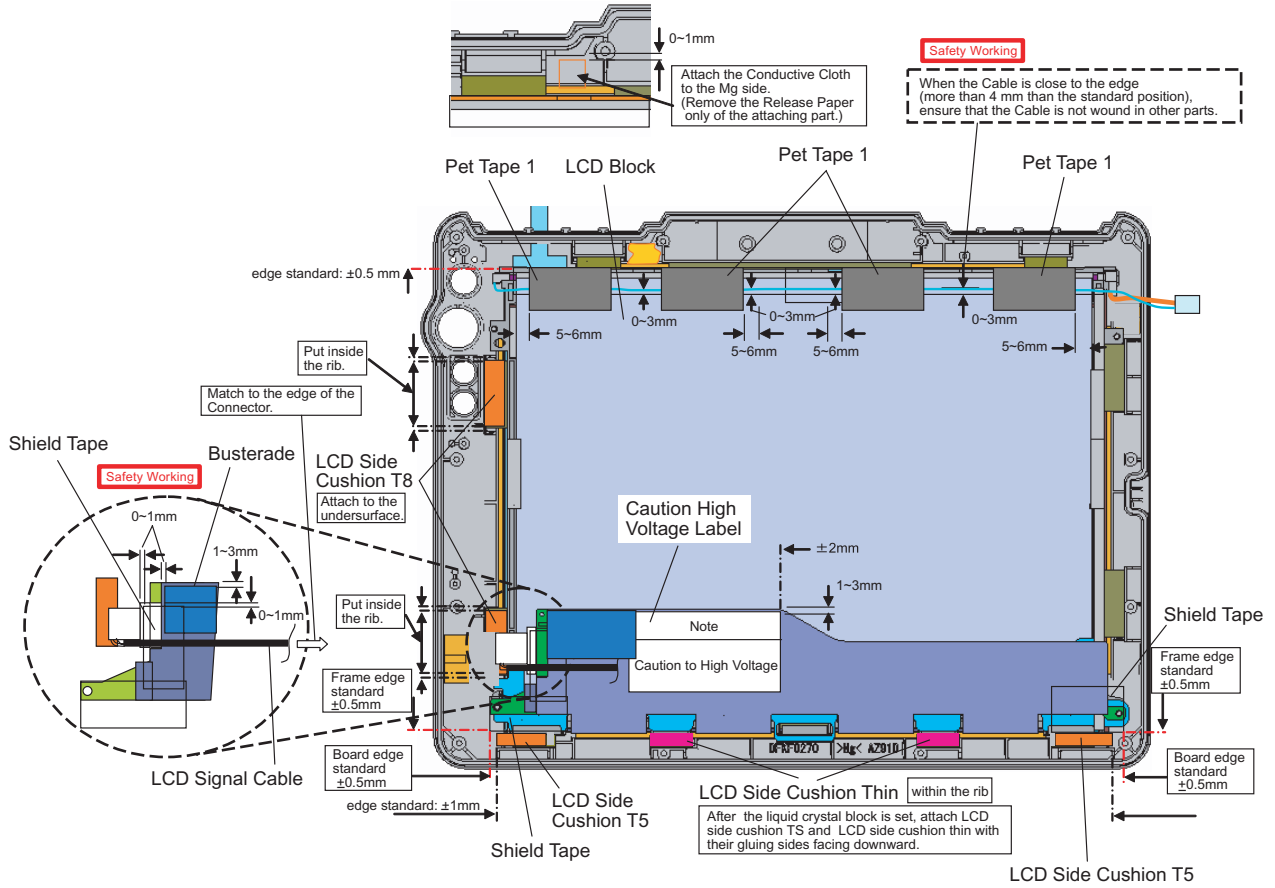
■ Preparations for Touchscreen



■ Assembly of the Touchscreen



■ Assembly of the LCD Block



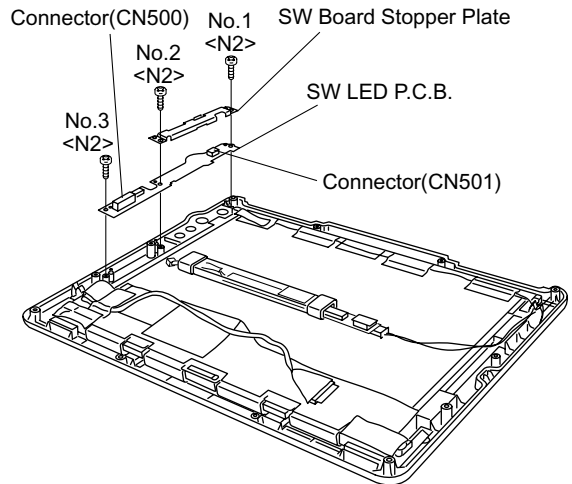
9.2.3. Setting the SW LED PCB

1. Connect the Cable to the connector (CN501) of the SW LED PCB.
2. Attach the tape.
3. Fix the SW LED PCB and SW Board Stopper Plate using three Screws <N2>. No1 to No3
4. Put the Cable into the Clamper.

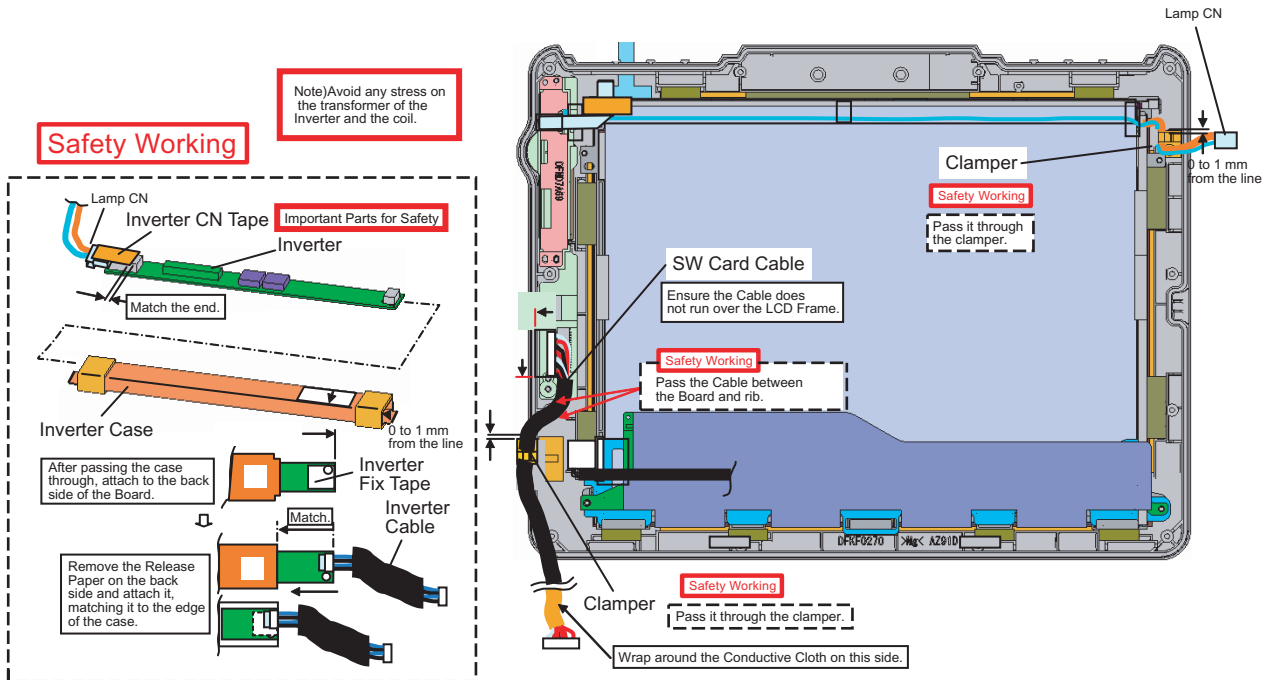
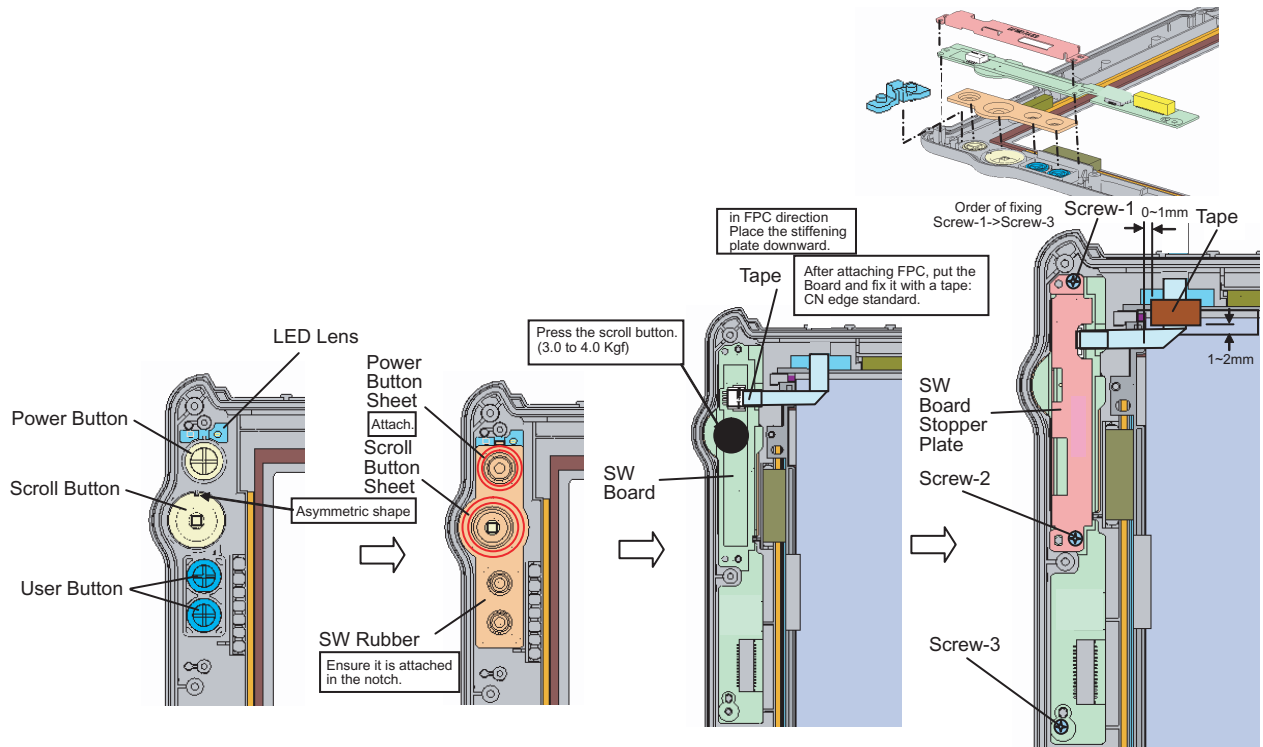
Note:

Tighten the Screws in the numbered order (No1 to No3).

Screws <N2>:DRSB2+5FKL

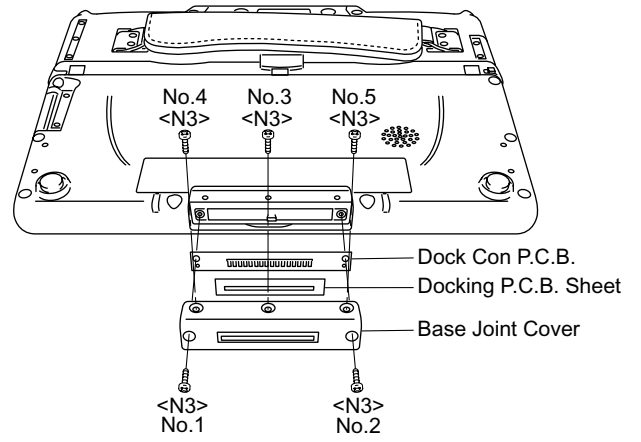


■ Assembly of the SW LED PCB



9.2.4. Setting the Dock Con PCB

1. Fix the Docking PCB Sheet, the Base Joint Cover and the Dock Con PCB using five Screws <N3>. No1 to No5

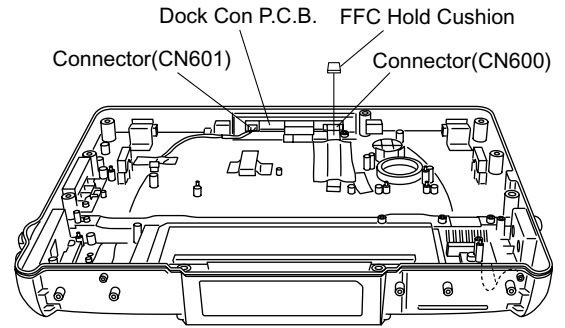


2. Connect the two Cables to the two connectors (CN600, CN601) of the Dock Con PCB.
3. Attach the FFC Hold Cushion.

Note:

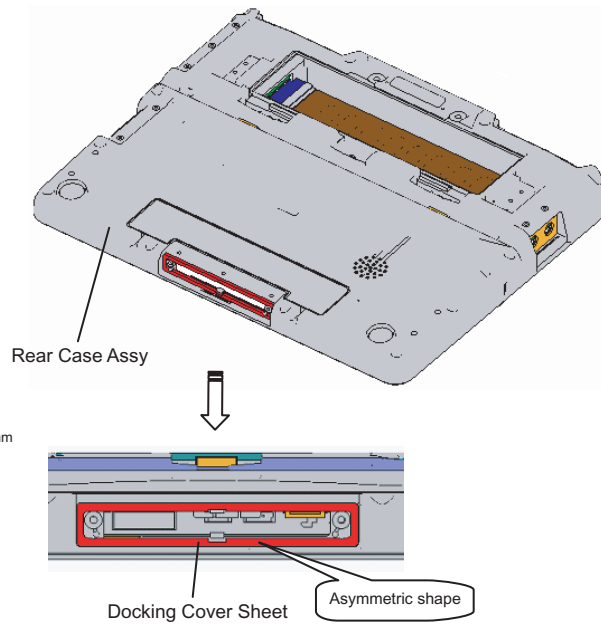
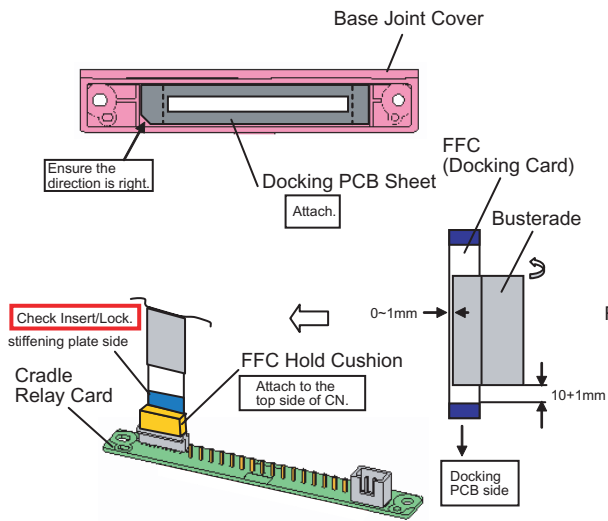
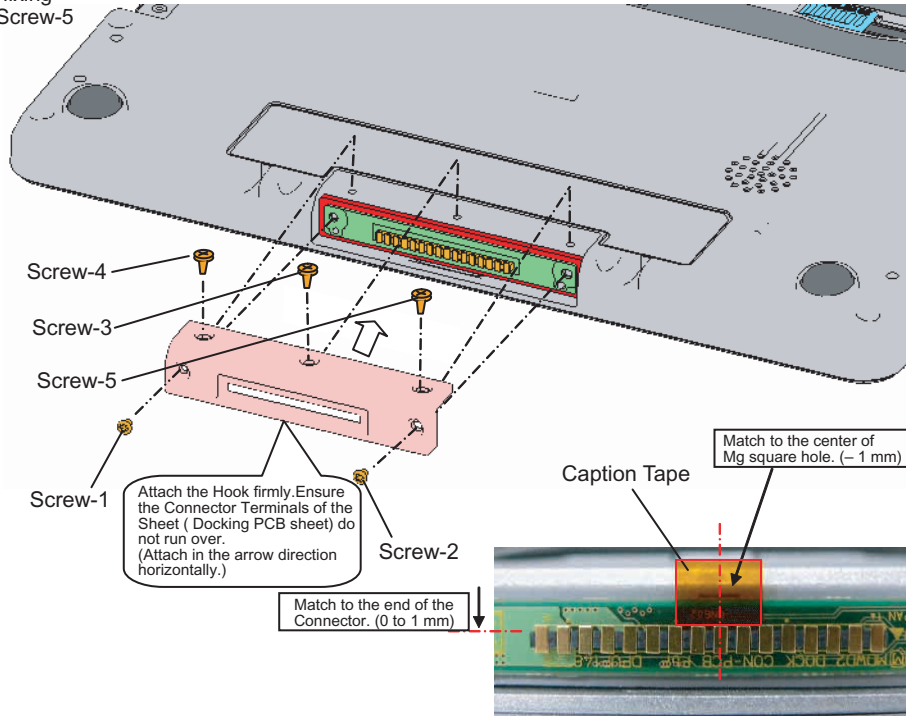
Tighten the Screws in the numbered order (No1 to No5).

Screws <N3>:DXQT26+D5FNL



■ Assembly of the DOCK CON PCB

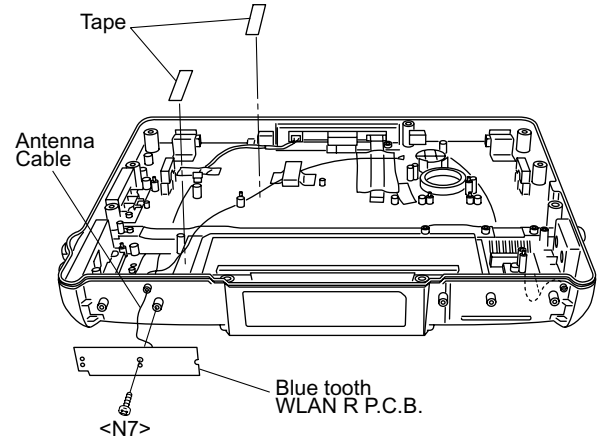
Order of fixing
Screw-1->Screw-5



9.2.5. Setting the Bluetooth WLAN R PCB

1. Fix the Antenna Cable and the Bluetooth WLAN R PCB using one Screw <N7>.
2. Fix the Antenna Cables with the two tapes.

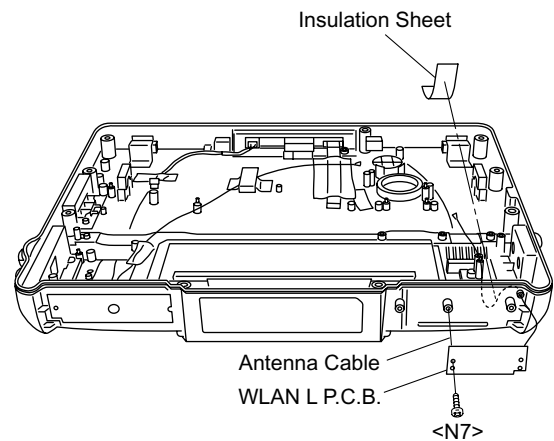
Screw <N7>:DFHE5025XA



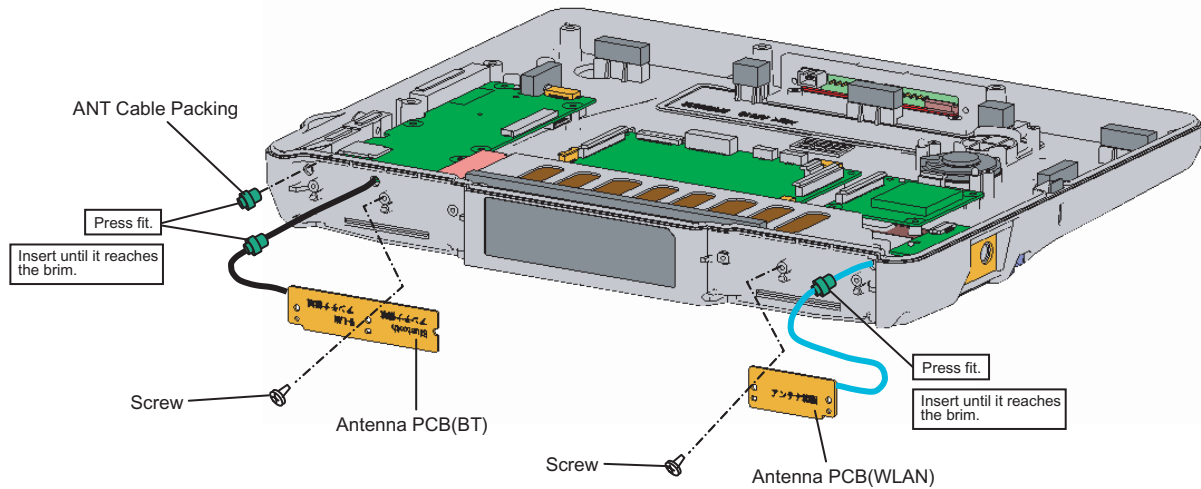
9.2.6. Setting the WLAN L PCB

1. Fix the Antenna Cable and the WLAN L PCB using one Screw <N7>.
2. Fix the Antenna Cable with the Insulation Sheet.

Screw <N7>:DFHE5025XA



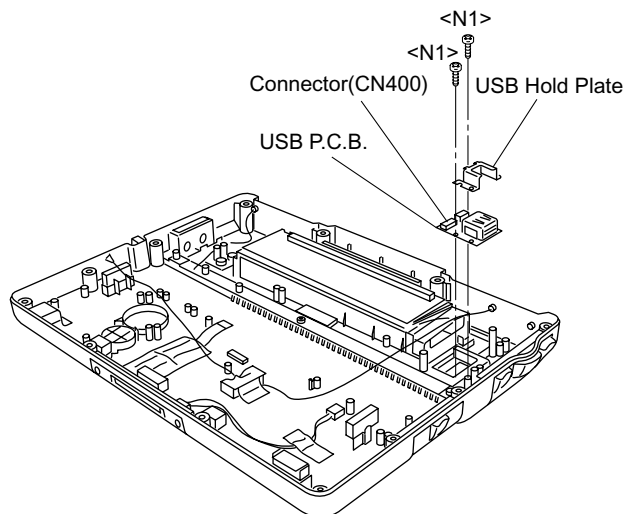
■ Assembly of the Antenna PCB



9.2.7. Setting the USB PCB

1. Fix the USB Hold Plate and the USB PCB using two Screws <N1>.
2. Attach the Edge Sheet.

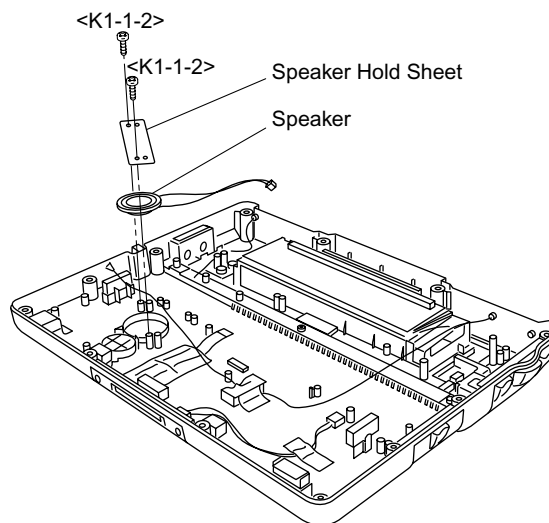
Screws <N1>:XSB2+4FNL



9.2.8. Setting the Speaker

1. Attach the Speaker.
2. Fix the Speaker Hold Sheet using two Screws <K1-1-2>.

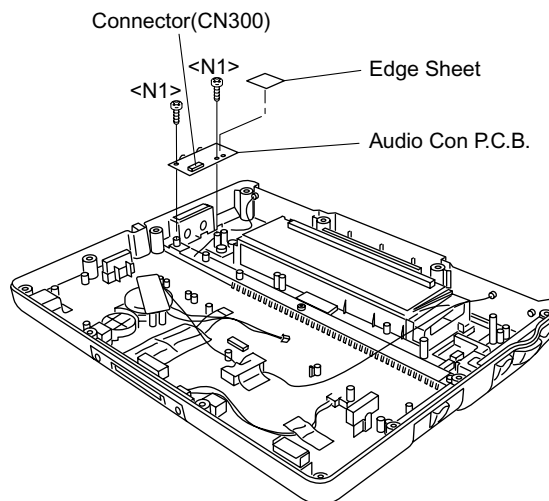
Screws <K1-1-2>:XSB2+4FNL



9.2.9. Setting the Audio Con PCB

1. Connect the Cable to the Connector (CN300) of the Audio Con PCB.
2. Fix the Audio Con PCB using two Screws <N1>.
3. Attach the Edge Sheet.

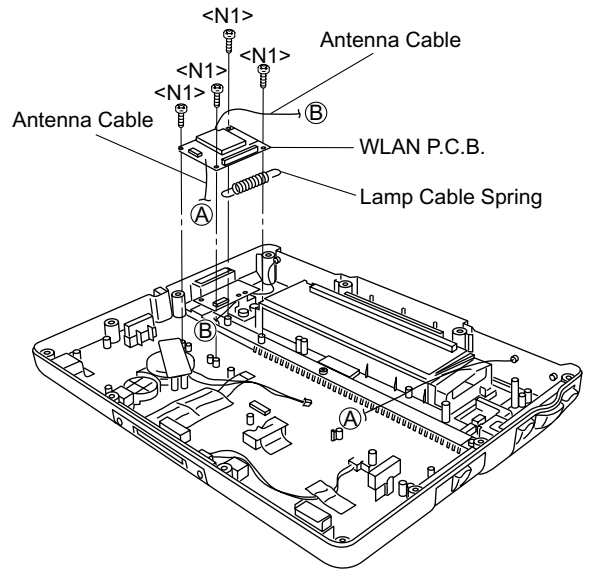
Screws <N1>:XSB2+4FNL



9.2.10. Setting the WLAN PCB

1. Fix the WLAN PCB and the lamp Cable Spring using four Screws <N1>.
2. Fix the two Antenna Cables.

Screws <N1>:XSB2+4FNL



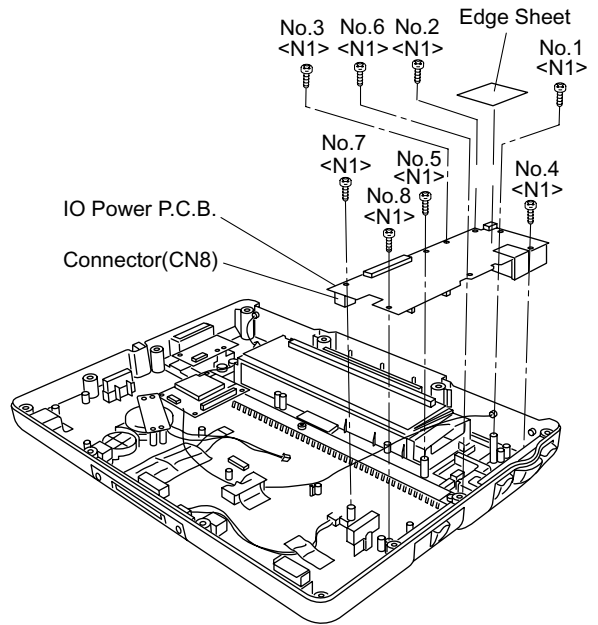
9.2.11. Setting the IO Power PCB

1. Fix the IO Power PCB using eight Screws <N1>. No1 to No8
2. Connect the Cable to the Connector (CN8) of the IO Power PCB.
3. Attach the Edge Sheet.

Note:

Tighten the Screws in the numbered order (No1 to No8).

Screws <N1>:XSB2+4FNL



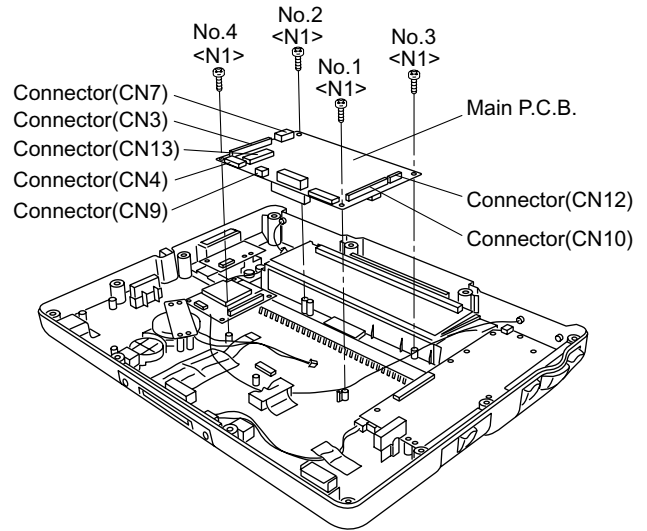
9.2.12. Setting the Main PCB

1. Connect the Cable to the Connector (CN7) of the Main PCB.
2. Fix the Main PCB using four Screws <N1>. No1 to No4
3. Connect the Cables to the six Connectors (CN3,CN4,CN9,CN10,CN12,CN13) of the Main PCB.

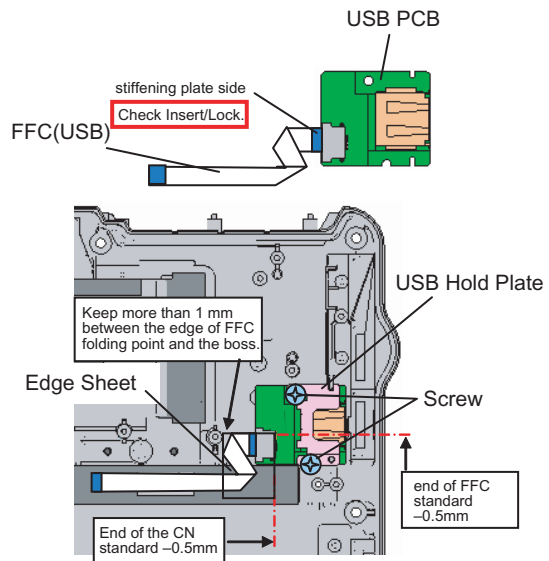
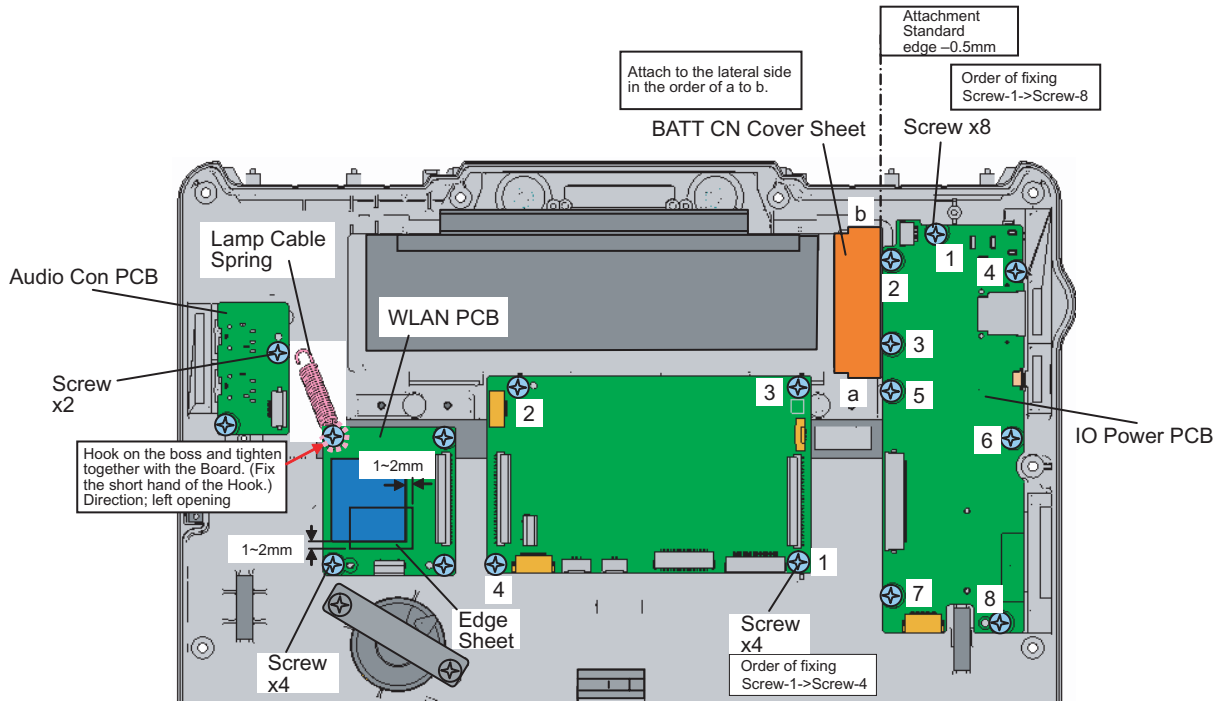
Note:

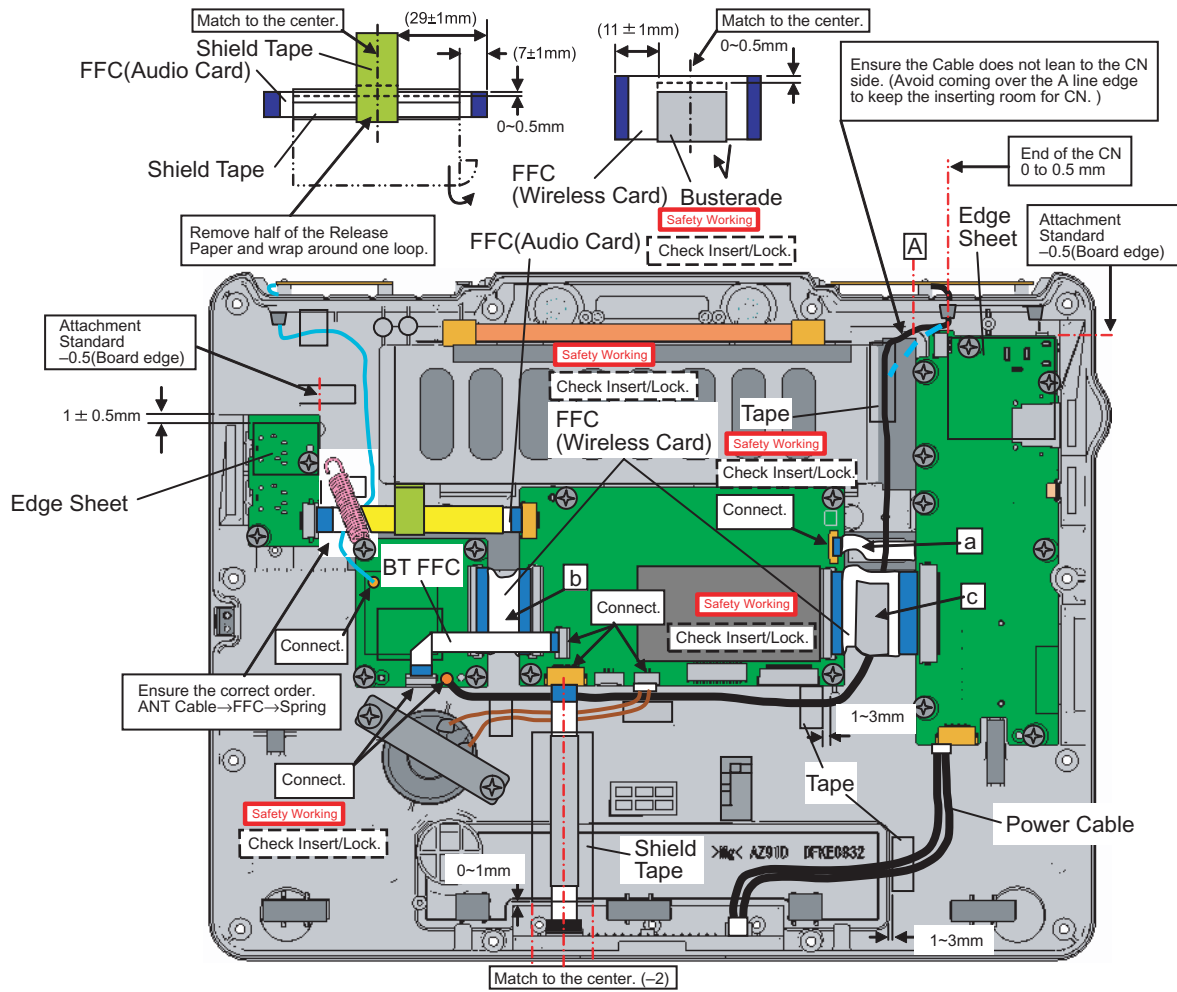
Tighten the Screws in the numbered order (No1 to No4).

Screws <N1>:XSB2+4FNL

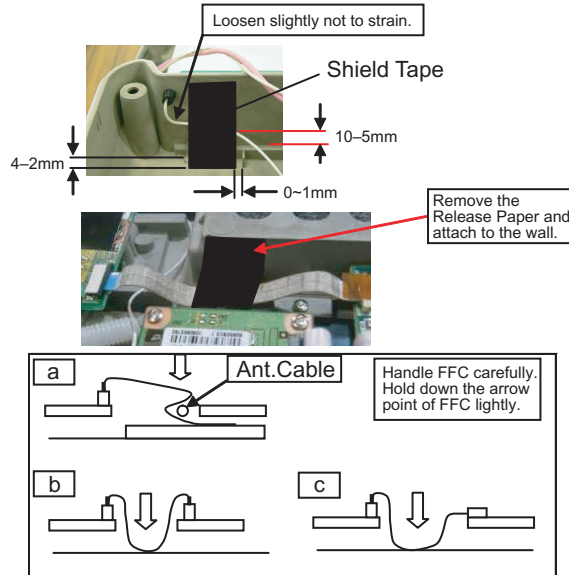


■ Assembly of the USB PCB, Audio Con PCB, WLAN PCB, IO Power PCB, and Main PCB



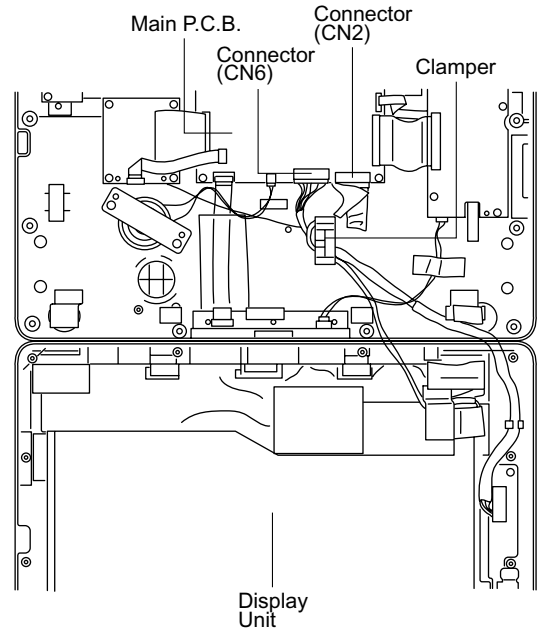


*Note
 Apply the load to attach. 20 to 30N (2.0 to 3.0 Kgf)
 *Paste Sheets firmly. 20~30N(2.0~3.0Kgf)

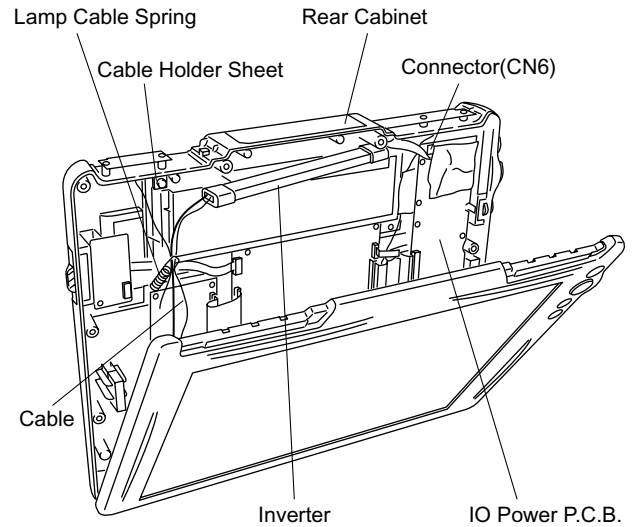


9.2.13. Setting the Display Unit

1. Connect the Cables to the connectors (CN2, CN6) of the Main PCB.
2. Put the two Cables into the Clamper.



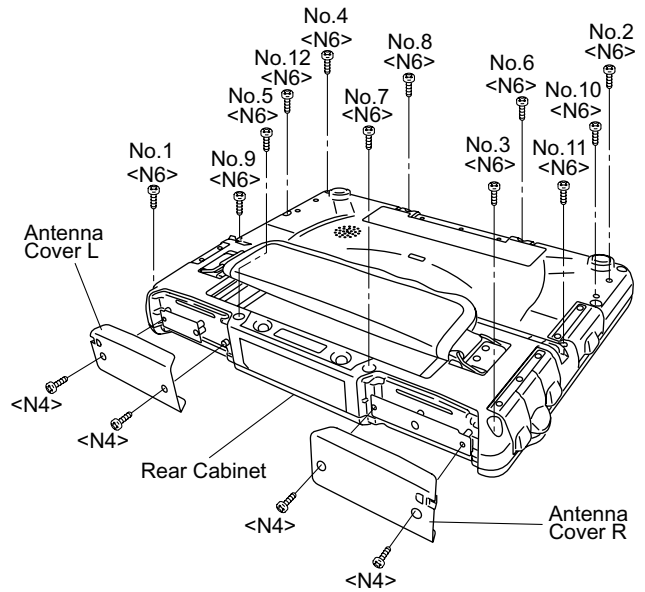
3. Connect the Inverter Cable to the connector (CN6) of the Power PCB as closing the Rear Cabinet.
4. Attach both the Inverter Case and the Inverter.
5. Hook the Cable on the lamp Cable Spring.
6. Attach the Cable Hold Sheet.
7. Set the LCD Unit with its face down and then close the Rear Cabinet.



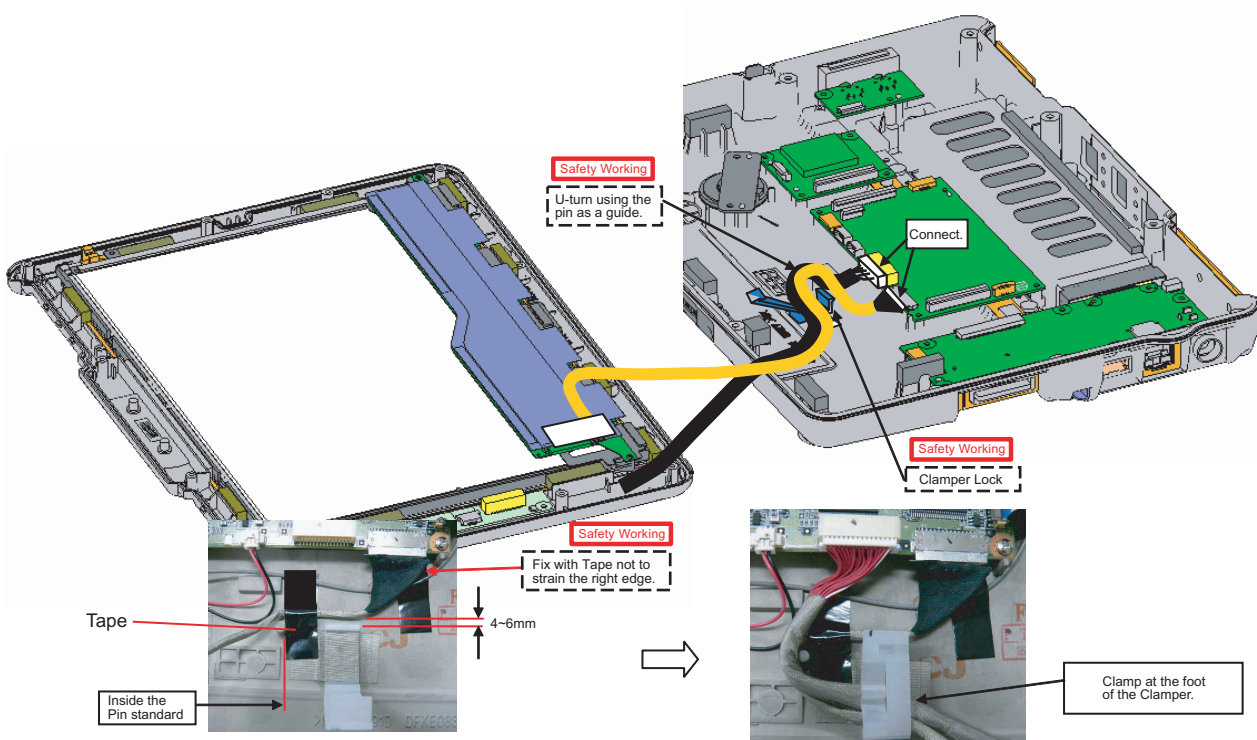
8. Fix the Rear Case ASS'Y using 12 Screws <N6>. No1 to No12
9. Fix the Antenna Cover R using two Screws <N4>.
10. Fix the Antenna Cover L using two Screws <N4>.

Note:
Tighten the Screws in the numbered order (No1 to No12).

Screws <N4>:DXSB2+6FNL
Screws <N6>:DXYN26+J6FNL



■ Assembly of the Display unit

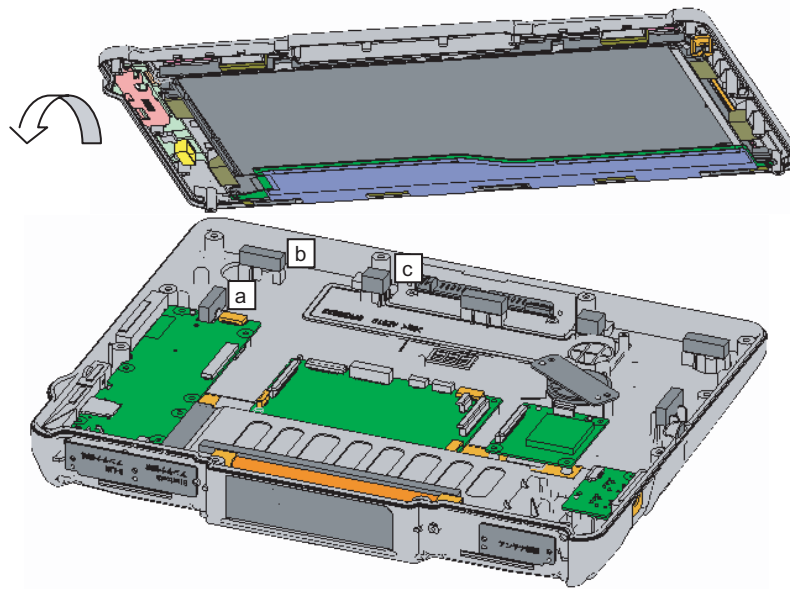
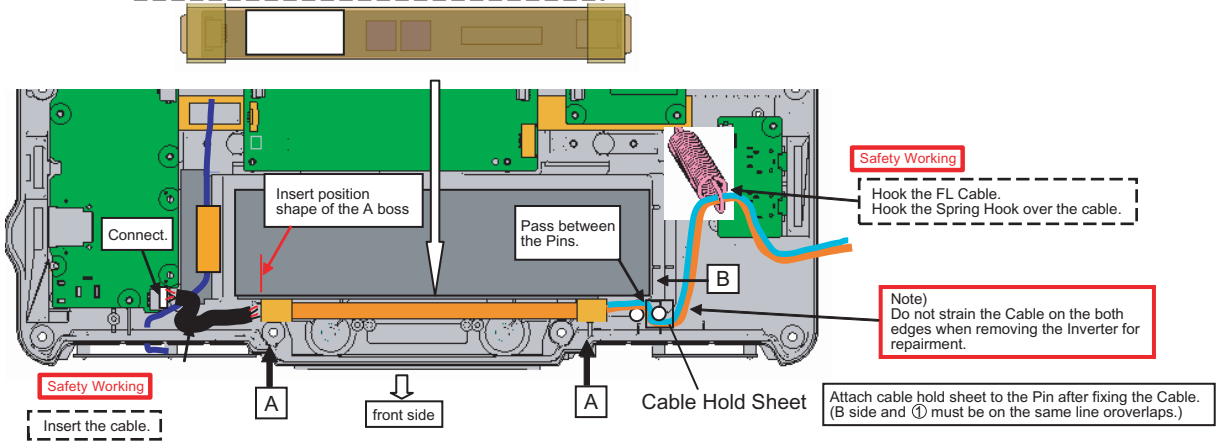


*Note
Ensure the Cable does not run over the Cushions (a,b,c).

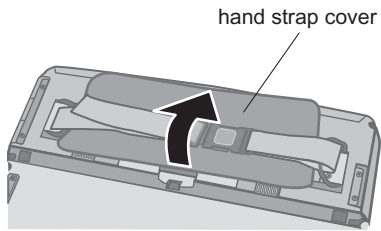
Note
Avoid any stress on the transformer and the coil.

Safety Working

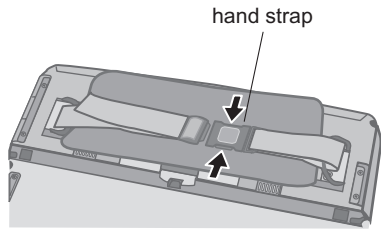
Insert the cushions on the both sides with the "Caution to High Voltage" label facing front until they reach the bottom while matching the cushions to the A boss and the rib..(Top of the A boss and the cushions on the both sides must be on the same line.)



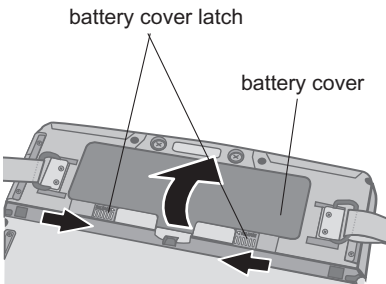
9.2.14. Setting the Battery Pack



1. Open the hand strap cover.

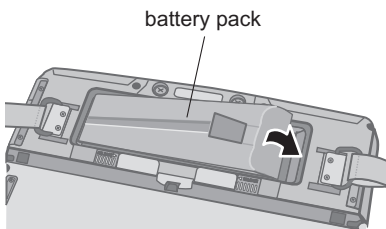


2. Remove the hand strap.

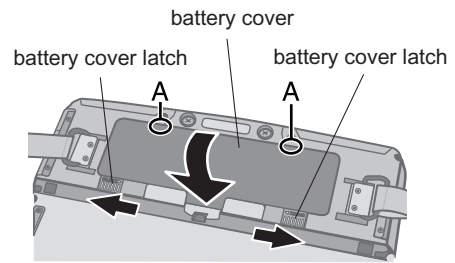


3. Slide the Battery cover latch.

4. Open and remove the Battery cover.

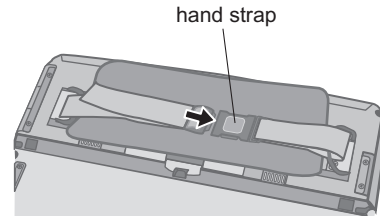


5. Firmly attach the battery pack to the connector.

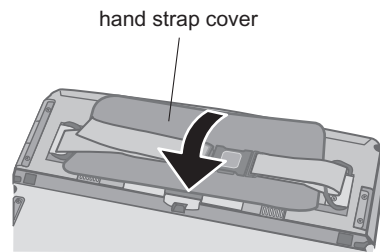


6. Fit the battery cover, and then close the battery cover.

7. Slide the battery cover latch.

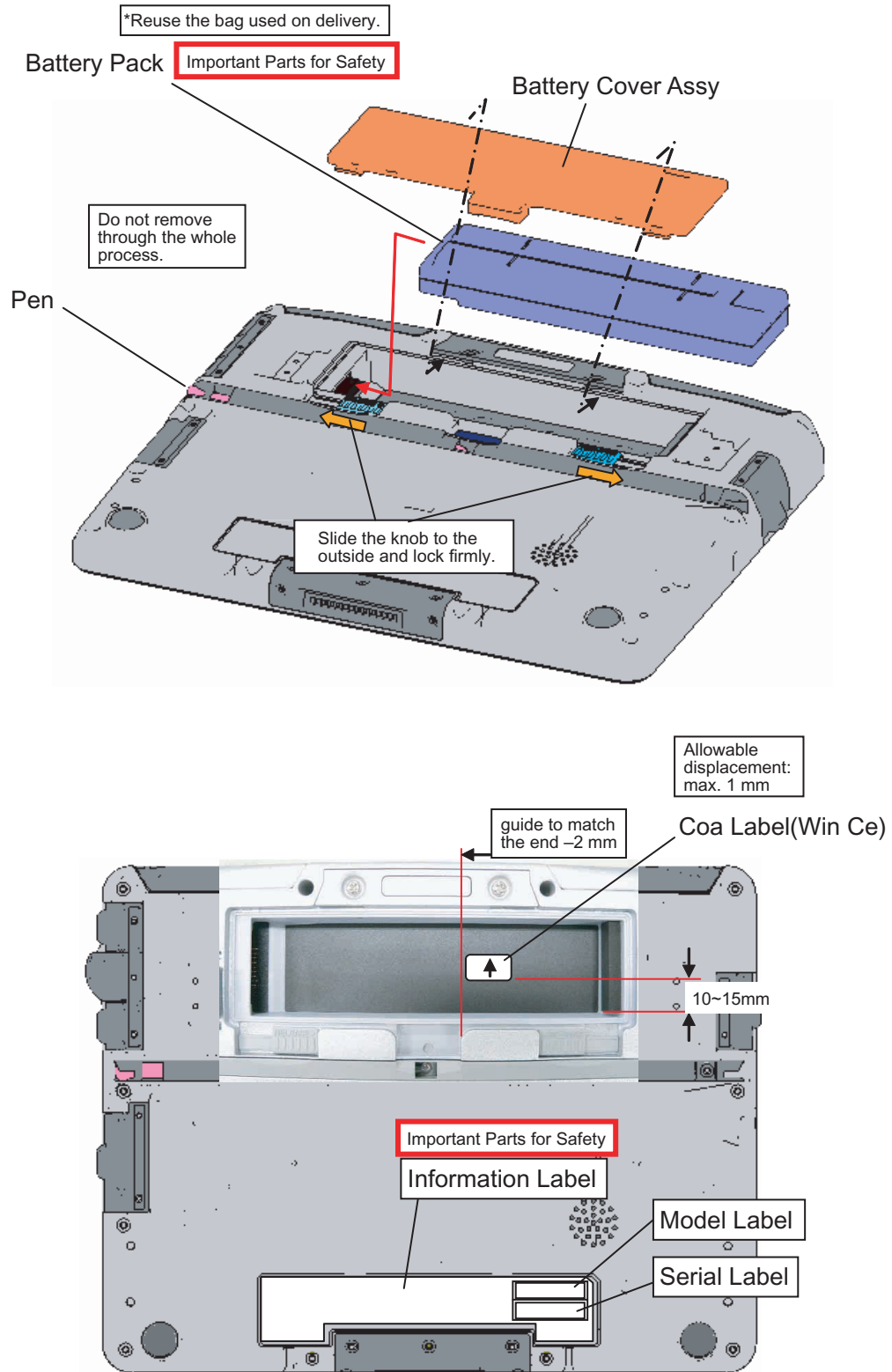


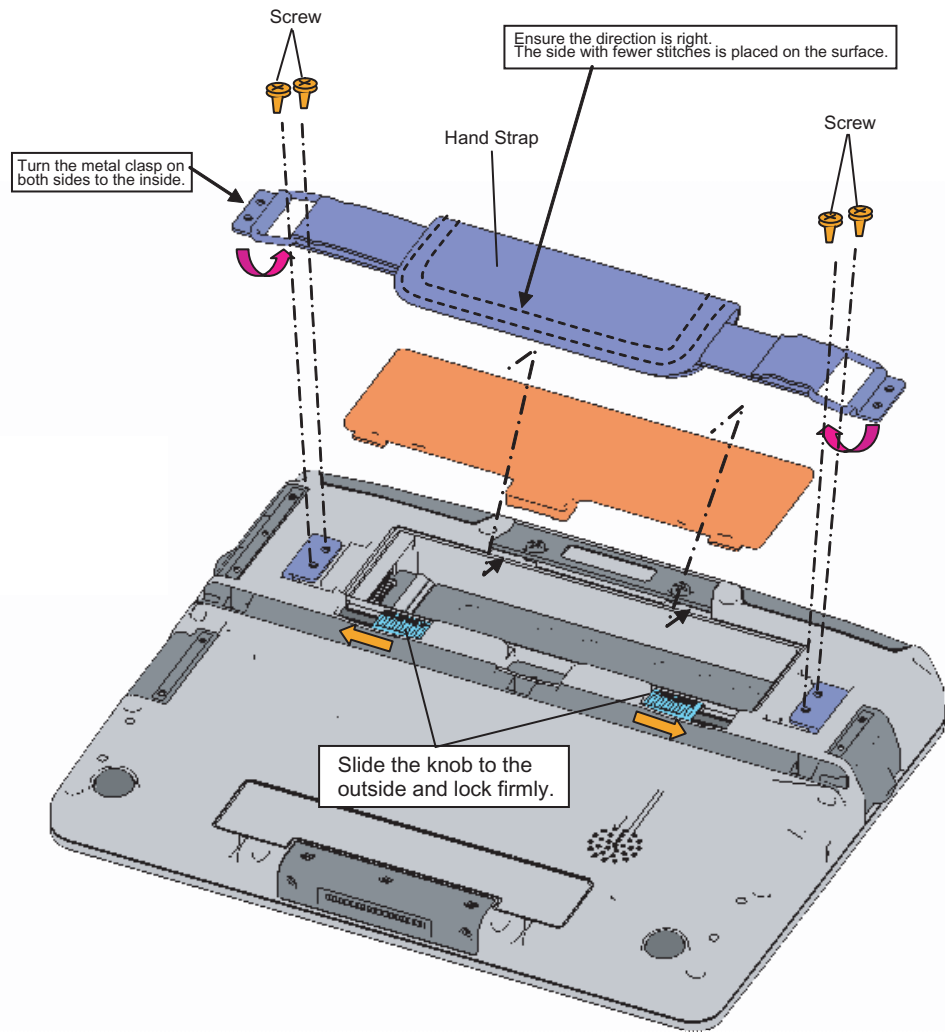
8. Attach the hand strap.



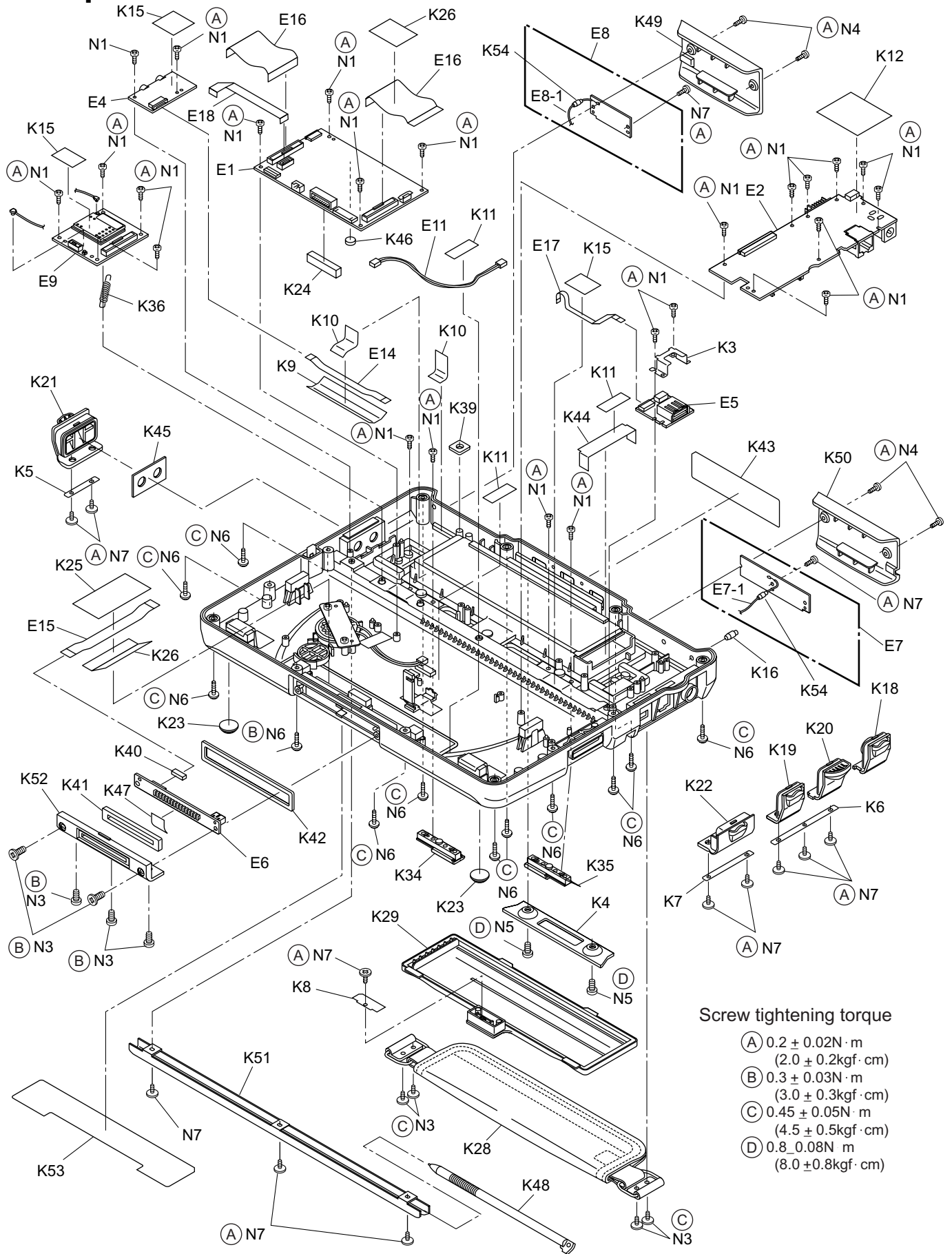
9. Attach the hand strap cover.

■ Assembly of the Battery Pack



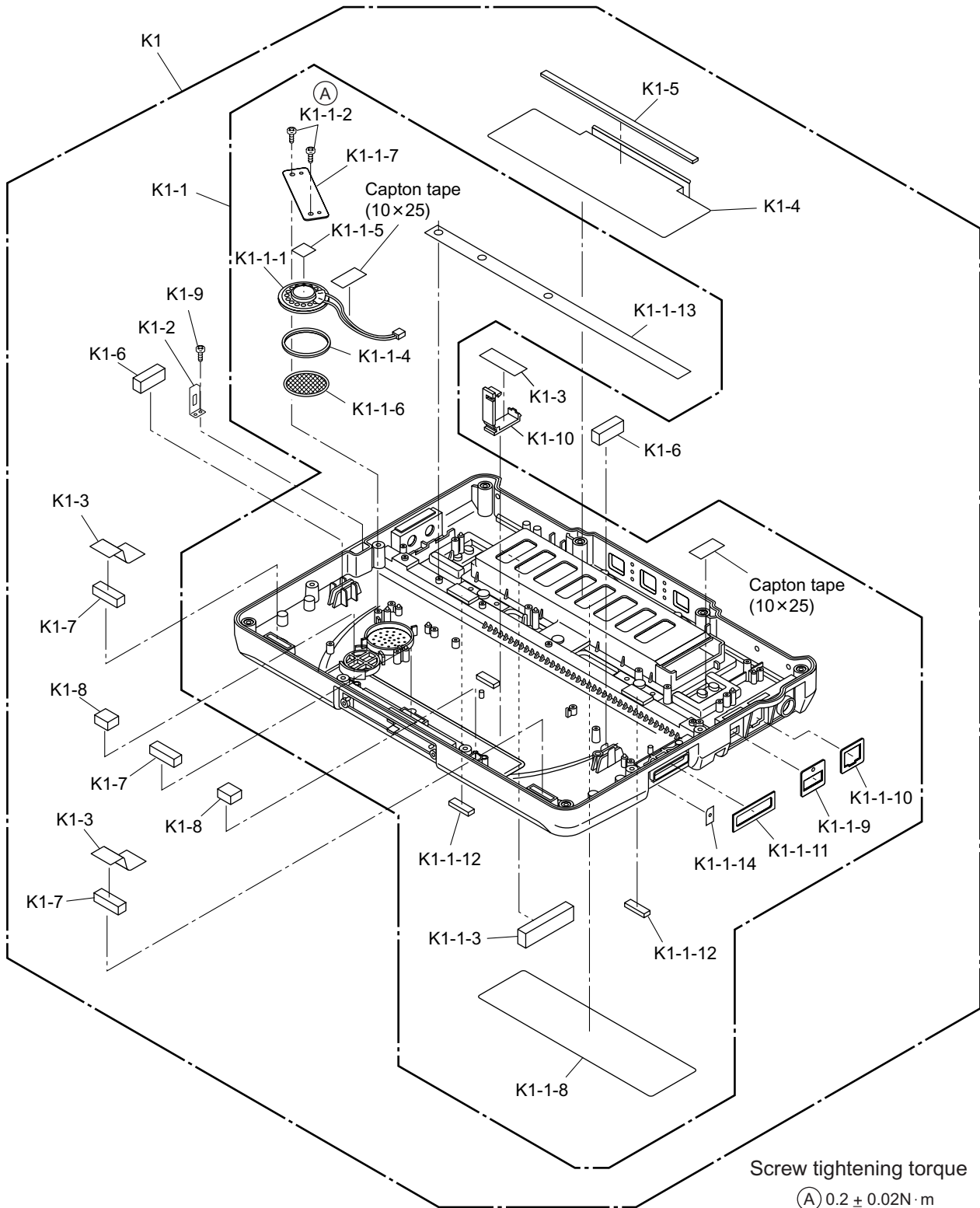


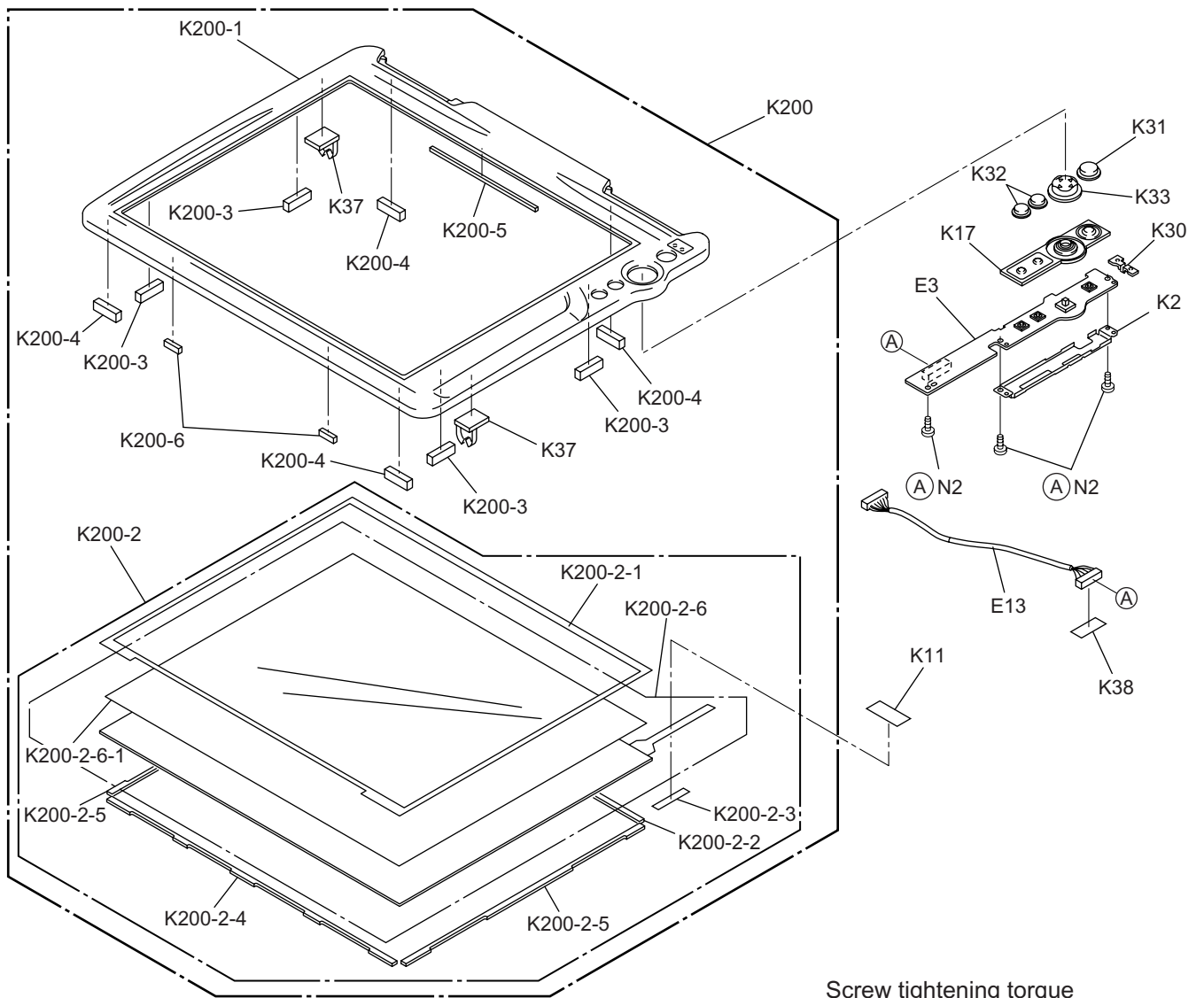
10 Exploded View



Screw tightening torque

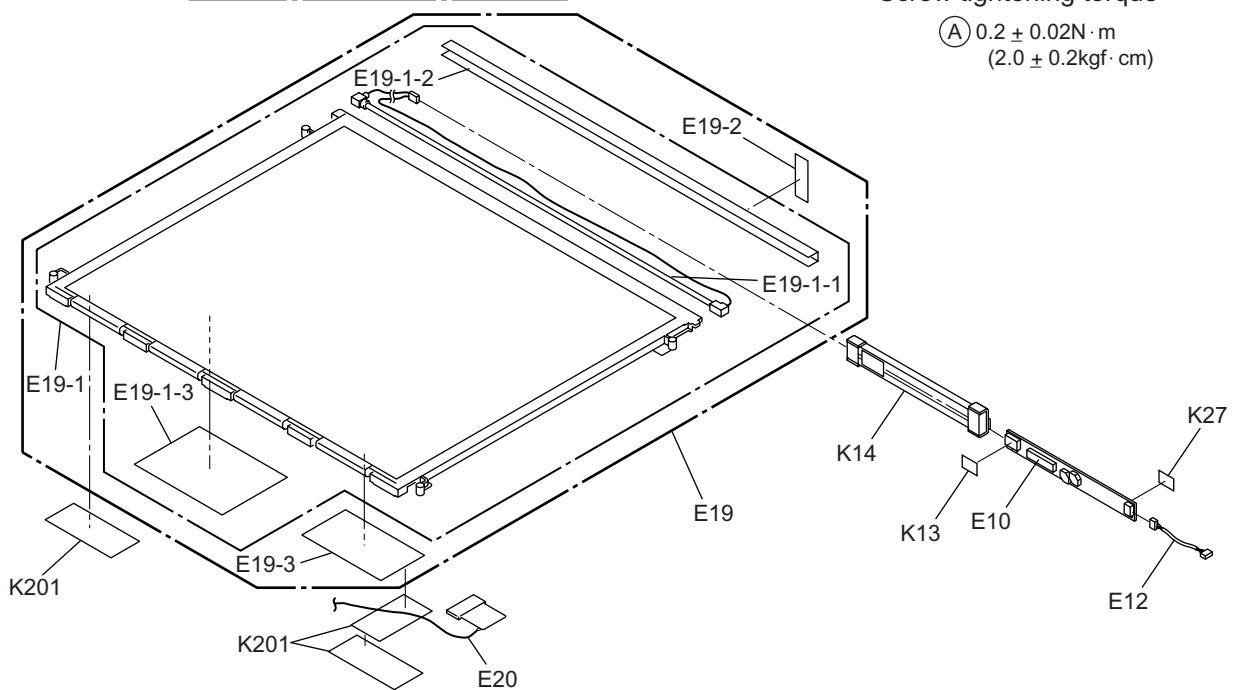
- (A) $0.2 \pm 0.02 \text{ N} \cdot \text{m}$
($2.0 \pm 0.2 \text{ kgf} \cdot \text{cm}$)
- (B) $0.3 \pm 0.03 \text{ N} \cdot \text{m}$
($3.0 \pm 0.3 \text{ kgf} \cdot \text{cm}$)
- (C) $0.45 \pm 0.05 \text{ N} \cdot \text{m}$
($4.5 \pm 0.5 \text{ kgf} \cdot \text{cm}$)
- (D) $0.8 \pm 0.08 \text{ N} \cdot \text{m}$
($8.0 \pm 0.8 \text{ kgf} \cdot \text{cm}$)






Screw tightening torque



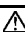

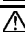

(A) $0.2 \pm 0.02 \text{ N} \cdot \text{m}$
 $(2.0 \pm 0.2 \text{ kgf} \cdot \text{cm})$



11 Replacement Parts List

Note: Important Safety Notice
 Components identified by  mark have special characteristics important for safety.
 When replacing any of these components, use only manufacturer's specified parts.

CF-08TX1A1M

REF.NO. and AREA	PART NO.	DESCRIPTION	RTL	Q'TY
Main Block Unit				
E1	DL3UP1486AAA	PCB, MAIN	RTL	1
E2	DL3U11487AAA	PCB, IO POWER	RTL	1
E3	DL3U21487AAA	PCB, SW LED	RTL	1
E4	DL3U31487AAA	PCB, AUDIO CON	RTL	1
E5	DL3U41487AAA	PCB, USB	RTL	1
E6	DL3U51487AAA	PCB, DOCK CON	RTL	1
E7	DL3U11489AAA	PCB, BLUETOOTH WLAN R	RTL	1
E7-1	DFJS1016ZA	WLAN/BT CABLE R		1
E8	DL3U21489AAA	PCB, WLAN L	RTL	1
E8-1	DFJS899ZA	ANTENNA CABLE L		1
E9	DL3UP1488AAA	PCB, WLAN	RTL	1
E10	 N0GB1J000018	INVERTER		1
E11	DFJS1012ZA	POWER CABLE		1
E12	DFJS1014ZA	INVERTER CABLE		1
E13	DFJS1015YA	SWITCH CABLE		1
E14	DFJK10T068DB	FP FFC		1
E15	DFJK16T078DB	DOCKING FFC		1
E16	DFJK50T043DB	LAN/POWER FFC		2
E17	DFJK9015ZA	USB FFC		1
E18	DFJK9019ZA	BT FFC		1
E19	DFWV08A0085	LCD ASS'Y		1
E19-1	DL3DW0181AAA	LCD ASS'Y		1
E19-1-1	A2CA00000066	BACK LIGHT		1
E19-1-2	DFHM0290ZA	REFLECTION ANGLE		1
E19-1-3	 DFQT9863ZA	LCD ATTENTION LABEL		1
E19-2	DFHE0995YA	TS NOISE SHEET		1
E19-3	DFHE0646ZA	BUSTERADE		1
E20	DFJS1011ZA	LCD CABLE		1
Accessories				
A1	 CF-AA1623AM6	AC ADAPTOR		1
A2	 N4HULSA00003	BATTERY PACK		1
A3	 K2CG3DR00003	AC CABLE		1
A4	 DFQX5591ZA	MANUAL		1
A5	DFME0148ZA	TETHER		1
A6	DFHS9017ZA	TOUCH PANEL CLOTH ASS'Y		1
Packing Material				
P1	DFPK1187ZA	PACKING CASE		1
P2	DFPN0828ZB	CUSHION B		2
P3	DFPN0832ZA	CUSHION T		2
P4	DFPK1037YA	ACCESSORY BOX		1
P5	DFPE0830ZA	HOLDER		1
Mechanical Parts				
K1	DFWV80C0505	REAR CABINET ASS'Y		1
K1-1	DFKE9081YA-0	REAR CASE ASS'Y		1
K1-1-1	L0AA02A00069	SPEAKER		1
K1-1-2	XSB2+4FNL	SCREW		2
K1-1-3	DFHG898ZA	BATTERY SPACER		1
K1-1-4	DFHP7230ZA	SPEAKER BASE SHEET UPPER		1
K1-1-5	DFHP7258ZA	SPEAKER TAPE		1
K1-1-6	DFHR3C72ZA	SPEAKER BASE LOWER SHEET		1

K1-1-7	DFHR3C73ZA	SPEAKER HOLD SHEET	1
K1-1-8	DFHR3C75ZA	BATTERY BOTTOM BLIND SHEET	1
K1-1-9	DFHR3C76YA	USB SHEET	1
K1-1-10	DFHR3C78ZA	LAN SHEET	1
K1-1-11	DFHR3C79ZA	SD SHEET	1
K1-1-12	DFHR3C80ZA	PEN HOLD SHEET	2
K1-1-13	DFHR3C82ZA	MAIN PCB INS. SHEET	1
K1-1-14	DFQT9976ZA-0	SD LED SIGN LABEL	1
K1-2	DFMD1197ZA	KENSINGTON PLATE	1
K1-3	DFMC0867ZA	EMI CLOTH	3
K1-4	DFMY3232ZA	HEAT RADIATION PLATE	1
K1-5	DFHG894XA	LCD REAR CUSHION T3L	1
K1-6	DFHG895ZA	LCD REAR CUSHION T3S	2
K1-7	DFHG896ZA	LCD REAR CUSHION T6L	3
K1-8	DFHG897ZA	LCD REAR CUSHION T6M	2
K1-9	DRQT2+I35FKL	SCREW	1
K1-10	DFHR1108ZA	LCD REAR CLAMPER	1
K2	DFMD2179ZA	SW BOARD PLATE	1
K3	DFMD3126ZA	USB HOLD PLATE	1
K4	DFMD4061ZA-0	CARD READER BLIND PLATE	1
K5	DFMD4062ZA-0	AUDIO COVER PLATE	1
K6	DFMD4063ZA-0	DC/USB COVER PLATE	1
K7	DFMD4064ZA-0	SD COVER PLATE	1
K8	DFMD4065ZA	BATTERY MAGNET COVER PLATE	1
K9	DFMC0866ZA	AUDIO EMI SHEET	1
K10	DFMC0867ZA	EMI CLOTH	2
K11	DFMX0734ZA	PROTECT SHEET	5
K12	DFMX1236ZA	IO BOARD EDGE SHEET	1
K13	DFMX1237YA	CN FIX TAPE	2
K14	DFMX9011ZA	INVERTER CASE ASS'Y	1
K15	DFHG1331ZA	SHIELD SHEET(LAN JACK)	3
K16	DFHG1714ZA	ANT CABLE PACKING	1
K17	DFHG1841XA	SW BOARD RUBBER	1
K18	DFHG1842ZA-0	DC COVER	1
K19	DFHG1843ZA-0	USB COVER	1
K20	DFHG1844ZA-0	LAN COVER	1
K21	DFHG1845ZA-0	AUDIO COVER	1
K22	DFHG1846ZA-0	SD COVER	1
K23	DFHG370ZA-1	FOOT RUBBER	2
K24	DFHG900ZA	VGA DAMPER	1
K25	DFHE0465ZA	EMI SHEET 5	1
K26	DFHE0646ZA	BUSTERADE	2
K27	DFHP7168ZA	INVERTER TAPE	1
K28	DFKH1019ZA-0	HANDY STRAP	1
K29	DFKE9085ZA-0	BATTERY COVER ASS'Y	1
K30	DFGL0152ZA-0	LED LENS	1
K31	DFBC0317ZA-0	POWER BUTTON	1
K32	DFBC0318ZA-0	USER BUTTON	2
K33	DFBC0319ZA-0	SCROLL BUTTON	1
K34	DFBD9007ZA-0	BATTERY LOCK ASS'Y R	1
K35	DFBD9008ZA-0	BATTERY LOCK ASS'Y L	1
K36	DFHR1109ZA	LAMP CABLE SPRING	1
K37	DFHR1110ZA	LCD SW CABLE CLAMPER	2
K38	DFHR3159ZA	TOP CASE SHEET	1
K39	DFHR3636ZA	CABLE HOLD SHEET	1
K40	DFHR3741ZA	FFC CN STOPPER	1
K41	DFHR3C41YA	DOCKING PCB SHEET	1
K42	DFHR3C42YA	DOCKING COVER SHEET	1

K43	DFHR3C43ZA-0	CARD BLIND SHEET	1
K44	DFHR3C74ZA	BATTERY CN COVER SHEET	1
K45	DFHR3C77YA	AUDIO SHEET	1
K46	DFHR3C81YA	MAIN PCB HOLD SHEET	1
K47	DFHR3E39ZA	CAPTON TAPE	1
K48	DFHR6207ZA	PEN	1
K49	DFHR6224ZA-0	ANTENNA COVER L	1
K50	DFHR6225ZA-0	ANTENNA COVER R	1
K51	DFHR6226ZA-0	PEN COVER	1
K52	DFHR6227ZA-0	BASE JOINT COVER	1
K53	 DFGT1079ZA-0	INFORMATION LABEL	1
K54	DFHG1714XA	ANT CABLE PACKING	2
K200	DFWV80A0359	FRONT CABINET ASS'Y	1
K200-1	DFKF9032ZA-0	FRONT CASE ASS'Y	1
K200-2	DFWV84A0270	TOUCH SCREEN PANEL KIT	1
K200-2-1	DFHP7229ZA	TS TAPE	1
K200-2-2	DFHR3476ZA	TS SPACER A	1
K200-2-3	DFHR3630ZA	TS FPC SPACER	1
K200-2-4	DFHR3D66ZA	TS SPACER L	1
K200-2-5	DFHR3D70ZA	TS SIDE SPACER	2
K200-2-6	DL3DV0181AAA	TS PANEL ASS'Y	1
K200-2-6-1	N2BAAYY00007	TOUCH SCREEN	1
K200-3	DFHG891YA	LCD SIDE CUSHION T8	4
K200-4	DFHG892YA	LCD SIDE CUSHION T5	4
K200-5	DFHG893ZA	LCD SIDE CUSHION T2	1
K200-6	DFHG899ZA	LCD SIDE DAMPER THIN	2
K201	DFMC0867ZA	EMI CLOTH	3
N1	XSB2+4FNL	SCREW	24
N2	DRSB2+5FKL	SCREW	3
N3	DXQT26+D5FNL	SCREW	9
N4	DXSB2+6FNL	SCREW	4
N5	DXSN4+6FNL	SCREW	2
N6	DXYN26+J6FNL	SCREW	12
N7	DFHE5025XA	SCREW	13

Replacement Parts List

Note: Important Safety Notice

Components identified by Δ mark have special characteristics important for safety.
When replacing any of these components use only manufacturer's specified parts.

CF-08TX1A1M

REF. NO and AREA	PART NO.	DESCRIPTION	Q'TY
MAIN PCB			
C 1	F1G1E103A062	CAPACITOR, 25V, 0.01 μ F	25
C 10			
C 50			
C 150			
C 151			
C 164			
C 169			
C 171			
C 187			
C 188			
C 207			
C 245			
C 247			
C 250			
C 266			
C 278			
C 279			
C 280			
C 311			
C 312			
C 313			
C 314			
C 324			
C 325			
C 326			
C 5	F1G1H1R0A543	CAPACITOR, 50V, 1pF	1
C 7	F1G1A104A014	CAPACITOR, 10V, 0.1 μ F	152
C 8			
C 9			
C 15			
C 16			
C 17			
C 18			
C 19			
C 20			
C 21			
C 22			
C 23			
C 24			
C 25			
C 26			

C 27
C 28
C 29
C 30
C 31
C 32
C 33
C 34
C 35
C 36
C 37
C 38
C 39
C 40
C 41
C 42
C 43
C 44
C 49
C 52
C 53
C 55
C 56
C 57
C 65
C 66
C 67
C 68
C 69
C 70
C 71
C 74
C 75
C 81
C 82
C 83
C 84
C 85
C 86
C 87
C 88
C 89
C 90
C 91
C 92
C 93
C 94
C 95
C 96
C 97

C 98
C 102
C 103
C 104
C 105
C 106
C 107
C 108
C 109
C 110
C 111
C 112
C 113
C 114
C 115
C 116
C 117
C 118
C 119
C 120
C 121
C 122
C 125
C 126
C 127
C 138
C 139
C 140
C 141
C 142
C 147
C 148
C 152
C 163
C 170
C 172
C 173
C 175
C 176
C 177
C 178
C 179
C 180
C 181
C 182
C 184
C 186
C 215
C 226
C 230

C 232			
C 233			
C 234			
C 239			
C 241			
C 265			
C 274			
C 276			
C 277			
C 281			
C 282			
C 283			
C 284			
C 285			
C 286			
C 287			
C 288			
C 293			
C 294			
C 295			
C 296			
C 297			
C 298			
C 299			
C 300			
C 301			
C 303			
C 304			
C 306			
C 310			
C 315			
C 316			
C 317			
C 318			
C 319			
C 320			
C 323			
C 11 C 216 C 217	F1G1H102A496	CAPACITOR, 50V, 1000pF	3
C 45 C 46 C 47 C 48	F1G1H680A451	CAPACITOR, 50V, 68pF	4
C 54 C 129 C 131 C 132 C 133 C 220	F1H1A1050015	CAPACITOR, 10V, 1μF	17

C 221			
C 229			
C 231			
C 235			
C 257			
C 258			
C 259			
C 262			
C 263			
C 268			
C 308			
C 100	F1J0J1060004	CAPACITOR, 6.3V, 10 μ F	23
C 101			
C 124			
C 135			
C 137			
C 149			
C 174			
C 183			
C 190			
C 191			
C 236			
C 237			
C 238			
C 242			
C 246			
C 248			
C 252			
C 254			
C 255			
C 256			
C 302			
C 305			
C 307			
C 165	F1G1H8R0A452	CAPACITOR, 50V, 8pF	2
C 166			
C 167	F1G1E682A062	CAPACITOR, 25V, 6800pF	2
C 168			
C 189	F1G1C223A004	CAPACITOR, 16V, 0.022 μ F	1
C 193	F1H0J1050022	CAPACITOR, 6.3V, 1 μ F	3
C 194			
C 222			
C 210	F1G0J224A001	CAPACITOR, 6.3V, 0.22 μ F	5
C 211			
C 214			
C 244			
C 249			
C 223	EEFCD0J470ER	CAPACITOR, 6.3V, 47 μ F	5
C 224			
C 225			

C 240			
C 243			
C 227	F1G1H100A452	CAPACITOR, 50V, 10pF	2
C 228			
C 251	F1J0J226A048	CAPACITOR, 6.3V, 22µF	6
C 253			
C 269			
C 336			
C 337			
C 338			
C 260	F1G1H331A450	CAPACITOR, 50V, 330pF	3
C 261			
C 264			
C 267	F1G1H332A496	CAPACITOR, 50V, 3300pF	1
C 270	EEFUD0J101ER	CAPACITOR, 6.3V, 100µF	2
C 271			
C 330	F1L1H100A072	CAPACITOR, 50V, 10pF	2
C 331			
CN 1	K1KA10BA0014	CONNECTOR	1
CN 2	K1KA14BA0098	CONNECTOR	1
CN 3	K1MN50AA0018	CONNECTOR	2
CN 10			
CN 4	K1MN16BA0059	CONNECTOR	1
CN 6	K1KA30BA0060	CONNECTOR	1
CN 7	K1MN10B00146	CONNECTOR	1
CN 9	K1KA02BA0085	CONNECTOR	1
CN 12	K1MN08AA0068	CONNECTOR	1
CN 13	K1MN12AA0018	CONNECTOR	1
D 1	B0KB00000044	DIODE	5
D 2			
D 7			
D 8			
D 9			
D 5	B0JCMD000014	DIODE	2
D 6			
FL 1	J0MAB0000169	FILTER	2
FL 2			
FL 3	J0MAB0000116	FILTER	2
FL 4			
IC 1	C2GBC0000268	IC, CPU	1
IC 4	C0EBE0000459	IC	2
IC 36			
IC 5	C0EBD0000313	IC	1
IC 6	C0JBAZ002067	IC, LOGIC	2
IC 53			
IC 8	C1CB00002385	IC, CONTROLLER	1
IC 9	C0JBAB000619	IC, GATE LOGIC	3
IC 21			
IC 29			
IC 10	C3ABRY000010	IC, SDRAM	2

IC 11			
IC 15	C3FBRY000001	IC, FLASH MEMORY	1
IC 16	C3ABPY000009	IC, SDRAM	1
IC 19	C0CBCAC00161	IC	1
IC 22	C0JBCZ000523	IC	1
IC 23	C0JBAZ002770	IC, LOGIC	1
IC 26	C0JBAZ002758	IC, LOGIC	1
IC 27	C0JBAZ002239	IC, GATE LOGIC	4
IC 34			
IC 35			
IC 37			
IC 28	C0ZBZ0001023	IC	2
IC 30			
IC 31	C0JBAA000350	IC, LOGIC	1
IC 32	C0JBAC000338	IC, GATE LOGIC	1
IC 39	C1CB00002054	IC, LAN CONTROLLER	1
IC 42	C1BB00000895	IC, AC97 CODEC	1
IC 43	C0CBCBC00130	IC, REGURATOR	1
IC 44	C1BB00000873	IC, AUDIO AMP	1
IC 45	C0DBAGG00014	IC	1
IC 49	C1CB00002478	IC, LAN SWITCH	1
IC 50	C0CBAAC00163	IC	1
IC 51	C3EBEC000061	IC, EEPROM	1
L 1	J0JDC0000045	INDUCTOR	4
L 2			
L 14			
L 15			
L 3	J0JHC0000074	INDUCTOR	3
L 5			
L 6			
L 12	DDB5Z024E-L	INDUCTOR	1
L 13	J0MAB0000174	INDUCTOR	1
L 16	G1C3R3MA0077	INDUCTOR	2
L 18			
L 17	G1C4R7MA0077	INDUCTOR	1
Q 1	B1CFGD000004	TRANSISTOR	4
Q 3			
Q 4			
Q 26			
Q 8	B1DHDC000028	TRANSISTOR	6
Q 10			
Q 22			
Q 24			
Q 28			
Q 29			
Q 9	UNR9213J0L	TRANSISTOR	6
Q 23			
Q 25			
Q 30			
Q 31			

Q 44			
Q 27 Q 33 Q 36	UNR9113J0L	TRANSISTOR	3
Q 34 Q 35 Q 38	XP0421300L	TRANSISTOR	3
R 1 R 28 R 29 R 30 R 31 R 32 R 33 R 36 R 38 R 168 R 171 R 177 R 178 R 179 R 310 R 311 R 312 R 353 R 354 R 355 R 356	ERJ2GEJ473X	RESISTOR, 1/16W, 47K Ω	21
R 2 R 62 R 172 R 174 R 241 R 242 R 307 R 308 R 309	ERJ2GEJ102X	RESISTOR, 1/16W, 1K Ω	9
R 5 R 6 R 50 R 51 R 72 R 115 R 116 R 118 R 119 R 120 R 180 R 200 R 234	ERJ2GE0R00X	RESISTOR, 1/16W, 0 Ω	22

R 265 R 275 R 277 R 279 R 283 R 284 R 292 R 325 R 327			
R 7 R 8 R 9 R 24 R 37 R 43 R 243 R 244 R 253 R 255 R 256	ERJ2GEJ103X	RESISTOR, 1/16W, 10K Ω	11
R 10 R 11 R 12 R 13 R 14 R 15 R 16 R 17 R 18 R 19 R 20 R 21 R 27 R 46 R 187 R 331	ERJ2GEJ100X	RESISTOR, 1/16W, 10 Ω	16
R 22 R 23 R 44 R 45 R 195 R 196 R 197 R 199 R 305	ERJ2GEJ122X	RESISTOR, 1/16W, 1.2K Ω	9
R 25 R 191 R 233	ERJ2GEJ105X	RESISTOR, 1/16W, 1M Ω	3
R 34 R 220	ERJ2GEJ330X	RESISTOR, 1/16W, 33 Ω	9

R 221			
R 222			
R 223			
R 357			
R 358			
R 359			
R 360			
R 35	ERJ2GEJ104X	RESISTOR, 1/16W, 100K Ω	58
R 49			
R 77			
R 78			
R 89			
R 92			
R 94			
R 96			
R 98			
R 99			
R 101			
R 102			
R 103			
R 108			
R 111			
R 112			
R 113			
R 114			
R 117			
R 133			
R 134			
R 135			
R 136			
R 145			
R 146			
R 147			
R 149			
R 150			
R 151			
R 152			
R 153			
R 155			
R 156			
R 157			
R 160			
R 161			
R 164			
R 169			
R 183			
R 185			
R 188			
R 189			
R 219			

R 224 R 235 R 245 R 252 R 259 R 260 R 261 R 262 R 287 R 319 R 320 R 341 R 344 R 345 R 346			
R 39 R 42 R 53 R 70 R 74 R 107 R 123 R 124 R 127 R 129 R 132 R 143 R 269 R 270 R 272 R 273 R 285 R 286	ERJ3GEY0R00V	RESISTOR, 1/16W, 0 Ω	18
R 54 R 55 R 58 R 59	ERJ2GEJ150X	RESISTOR, 1/16W, 15 Ω	4
R 56 R 57 R 137 R 139	ERJ2GEJ153X	RESISTOR, 1/16W, 15K Ω	4
R 141 R 142 R 263 R 267 R 271 R 295	ERJ6GEY0R00V	RESISTOR, 1/10W, 0 Ω	6
R 162	ERJ2GEJ475X	RESISTOR, 1/16W, 4.7M Ω	1
R 170 R 347	ERJ2GEJ271X	RESISTOR, 1/16W, 270 Ω	8

R 361			
R 362			
R 363			
R 364			
R 365			
R 366			
R 204	ERJ2RKF49R9X	RESISTOR, 1/16W, 49.9 Ω	4
R 205			
R 206			
R 207			
R 210	ERJ3EKF1202V	RESISTOR, 1/10W, 12K Ω	1
R 211	ERJ3EKF1242V	RESISTOR, 1/10W, 12.4K Ω	1
R 236	ERJ2GEJ101X	RESISTOR, 1/16W, 100 Ω	9
R 237			
R 238			
R 239			
R 240			
R 290			
R 291			
R 367			
R 368			
R 246	ERJ2GEJ472X	RESISTOR, 1/16W, 4.7K Ω	3
R 247			
R 251			
R 248	ERJ2RHD273X	RESISTOR, 1/16W, 27K Ω	1
R 257	ERJ2RKF1002X	RESISTOR, 1/16W, 10K Ω	1
R 274	ERJ2GEJ224X	RESISTOR, 1/16W, 220K Ω	3
R 278			
R 282			
RA 1	D1HG1008A001	RESISTOR ARRAY	6
RA 2			
RA 3			
RA 4			
RA 5			
RA 6			
X 1	H0J130500003	OSCILLATOR, 13MHz	1
X 2	H0J327200113	OSCILLATOR, 32.768KHz	1
X 4	H0J250500025	OSCILLATOR, 25MHz	1
X 5	H0J245500061	OSCILLATOR, 24.576MHz	1
IO POWER PCB			
C 3	F1G1A104A014	CAPACITOR, 10V, 0.1 μ F	15
C 7			
C 13			
C 49			
C 50			
C 51			
C 53			
C 54			
C 57			
C 59			

C 60			
C 61			
C 62			
C 68			
C 73			
C 4 C 5 C 44 C 55 C 56 C 58	F1J0J1060004	CAPACITOR, 6.3V, 10 μ F	6
C 6 C 11 C 47 C 48 C 69 C 70 C 71	F1G1E103A062	CAPACITOR, 25V, 0.01 μ F	7
C 8 C 10 C 16 C 19 C 20 C 21 C 26 C 30 C 33 C 45 C 65	F1H1H104A748	CAPACITOR, 50V, 0.1 μ F	11
C 9	F1J1E105A009	CAPACITOR, 25V, 1 μ F	1
C 12 C 22 C 72	F1H1A1050015	CAPACITOR, 10V, 1 μ F	3
C 15 C 18 C 23 C 24 C 29 C 42	F1L1E106A017	CAPACITOR, 25V, 10 μ F	6
C 25	F1G1H152A450	CAPACITOR, 50V, 1500pF	1
C 27 C 28	EEFUD0J101ER	CAPACITOR, 6.3V, 100 μ F	2
C 31 C 40	F1H1H103A748	CAPACITOR, 50V, 0.01 μ F	2
C 32 C 41 C 46	F1G1H1010005	CAPACITOR, 50V, 100pF	3
C 34 C 39 C 64	F1G1H102A496	CAPACITOR, 50V, 1000pF	3

C 35 C 38 C 76 C 79	F1G1H220A542	CAPACITOR, 50V, 22pF	4
C 36 C 37	F1G1H221A450	CAPACITOR, 50V, 220pF	2
C 52	F1H0J1050022	CAPACITOR, 6.3V, 1µF	1
C 63	F1G1A683A014	CAPACITOR, 10V, 0.068µF	1
C 66 C 67	F1L3D102A012	CAPACITOR, 2000V, 1000pF	2
C 74 C 75 C 77 C 78	F1G1H100A452	CAPACITOR, 50V, 10pF	4
CN 1	K1MN50B00046	CONNECTOR	1
CN 3	K1NA09E00076	CONNECTOR, SD MEMORY CARD	1
CN 4	K2LC108E0011	CONNECTOR, LAN	1
CN 6	K1KA05BA0014	CONNECTOR	1
CN 7	K2EZ2B000046	CONNECTOR, DC-IN	1
CN 8	K1KA02B00247	CONNECTOR	1
CN 9	K1KA08BA0112	CONNECTOR	1
CN 10	K1KA10BA0014	CONNECTOR	1
D 1 D 2 D 3 D 4 D 5 D 6	EZJZ0V500AA	DIODE	6
D 8 D 15 D 18	B0JCPD000023	DIODE	3
D 10 D 11 D 12	B0ADDH000004	DIODE	3
D 13 D 29	MA2S111-TX	DIODE	2
D 14	B0JCQD000001	DIODE	1
D 16	MAZ81200ML	DIODE	1
D 17	MAZ81800ML	DIODE	1
D 20 D 21 D 23	B0JCMD000014	DIODE	3
D 22	B0JDAE000004	DIODE	1
D 24	MA8082HTX	DIODE	1
D 25	B0JDBE000002	DIODE	1
D 27	DAN222TL	DIODE	1
D 28	B2ABAM000002	DIODE	1
D 30 D 31	B0BC6R100010	DIODE	2
D 32	B3ACB0000020	DIODE	1


IC 1	C0ZBZ0001023	IC	1
IC 3	C0ABZA000047	IC, AMP	1
IC 4	C0ABBA000093	IC, OP AMP	1
IC 5	C0DBDJH00009	IC, LINEAR	1
IC 6	C0DBALH00003	IC	1
IC 7	C0EBH0000336	IC	1
IC 8	C2CBYY000186	IC, MICROCONTROLLER	1
IC 9	C0CBCBC00137	IC, REGURATOR	1
IC 10	C0EBE0000348	IC	1
L 4 L 5	J0JKC0000007	INDUCTOR	2
L 6	G1A160H00001	INDUCTOR	1
L 7	G1C100MA0106	INDUCTOR	1
L 8	G1C100ZA0047	INDUCTOR	1
L 10	G5BYC0000010	INDUCTOR	1
L 11 L 12 L 13 L 14	J0JDC0000045	INDUCTOR	4
Q 4 Q 35	XP0331200L	TRANSISTOR	2
Q 5 Q 7 Q 8 Q 12	B1DHFD000015	TRANSISTOR	4
Q 6 Q 9 Q 11 Q 36	XP0421400L	TRANSISTOR	4
Q 13 Q 25 Q 26	UNR9213J0L	TRANSISTOR	3
Q 14 Q 15 Q 18 Q 27 Q 28 Q 31 Q 32 Q 33 Q 34	B1CFGD000004	TRANSISTOR	9
Q 16	B1MBEDA00008	TRANSISTOR	1
Q 17 Q 19	B1MBEDA00017	TRANSISTOR	2
Q 22 Q 23 Q 24 Q 29 Q 30	UNR9113J0L	TRANSISTOR	5
R 5	ERJ2GEJ473X	RESISTOR, 1/16W, 47K Ω	7

R 6 R 7 R 8 R 29 R 81 R 101			
R 9 R 10 R 22 R 47 R 70 R 73 R 74 R 108 R 109 R 110 R 111	ERJ2GEJ103X	RESISTOR, 1/16W, 10K Ω	11
R 11 R 12 R 23 R 24 R 25 R 26 R 137 R 151 R 152 R 153 R 154 R 155 R 156 R 157 R 158 R 159 R 161 R 162 R 164	ERJ2GEJ104X	RESISTOR, 1/16W, 100K Ω	19
R 13	ERJ2GEJ471X	RESISTOR, 1/16W, 470 Ω	1
R 14 R 15 R 20 R 21 R 91 R 92 R 104 R 105	ERJ2GEJ101X	RESISTOR, 1/16W, 100 Ω	8
R 18 R 63 R 95	ERJ6GEY0R00V	RESISTOR, 1/10W, 0 Ω	3
R 19 R 89	ERJ2GE0R00X	RESISTOR, 1/16W, 0 Ω	2

R 27	ERJ2GEJ105X	RESISTOR, 1/16W, 1M Ω	1
R 28	ERJ2GEJ3R3X	RESISTOR, 1/16W, 3.3 Ω	1
R 30	ERJ2GEJ562X	RESISTOR, 1/16W, 5.6K Ω	4
R 31			
R 32			
R 50			
R 33	ERJ2RHD103X	RESISTOR, 1/16W, 10K Ω	3
R 34			
R 83			
R 35	ERJ2RKF1003X	RESISTOR, 1/16W, 10K Ω	3
R 36			
R 48			
R 37	ERJ2RKF1503X	RESISTOR, 1/16W, 150K Ω	2
R 38			
R 39	ERJ3GEYJ562V	RESISTOR, 1/16W, 5.6K Ω	2
R 45			
R 40	D1BDR2700001	RESISTOR, 1/16W, 0.27 Ω	1
R 41	D1BDR1000002	RESISTOR, 1/16W, 0.1 Ω	2
R 42			
R 43	D1BDR4700001	RESISTOR, 1/16W, 0.47 Ω	1
R 44	D1ZZ00000046	RESISTOR, 1W, 5m Ω	1
R 49	ERJ2RKF3652X	RESISTOR, 1/16W, 36.5K Ω	1
R 52	ERJ2RHD302X	RESISTOR, 1/16W, 3K Ω	2
R 53			
R 54	ERA3YKB104V	RESISTOR, 1/16W, 10K Ω	2
R 55			
R 56	ERA3YEB333V	RESISTOR, 1/16W, 33K Ω	1
R 58	D1BDR0330001	RESISTOR, 1/16W, 0.033 Ω	3
R 64			
R 79			
R 59	ERJ2GEJ474X	RESISTOR, 1/16W, 470K Ω	1
R 60	ERJ2GEJ154X	RESISTOR, 1/16W, 150K Ω	1
R 61	ERJ2GEJ472X	RESISTOR, 1/16W, 4.7K Ω	6
R 129			
R 130			
R 131			
R 132			
R 133			
R 65	D1BDR0220001	RESISTOR, 1/16W, 0.022 Ω	1
R 66	ERJ2GEJ100X	RESISTOR, 1/16W, 10 Ω	4
R 67			
R 77			
R 78			
R 68	ERJ3GEYJ100V	RESISTOR, 1/16W, 10 Ω	1
R 69	ERJ2GEJ153X	RESISTOR, 1/16W, 15K Ω	1
R 71	ERJ2RKF1053X	RESISTOR, 1/16W, 105K Ω	1
R 72	ERJ2RKF2002X	RESISTOR, 1/16W, 20K Ω	2
R 76			
R 75	ERJ2RKF6342X	RESISTOR, 1/16W, 63.4K Ω	1
R 97	ERJ2GEJ181X	RESISTOR, 1/16W, 180 Ω	4

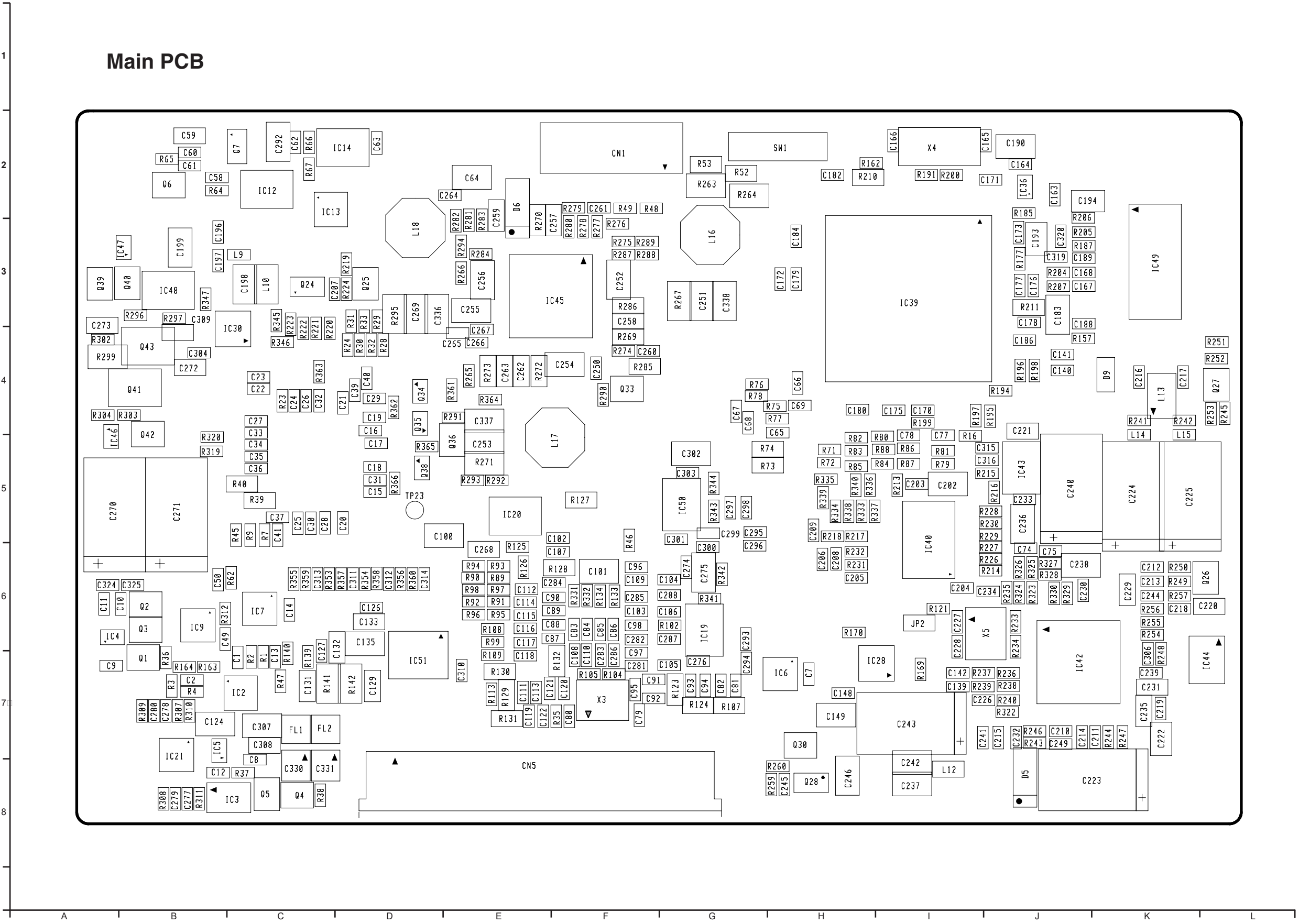
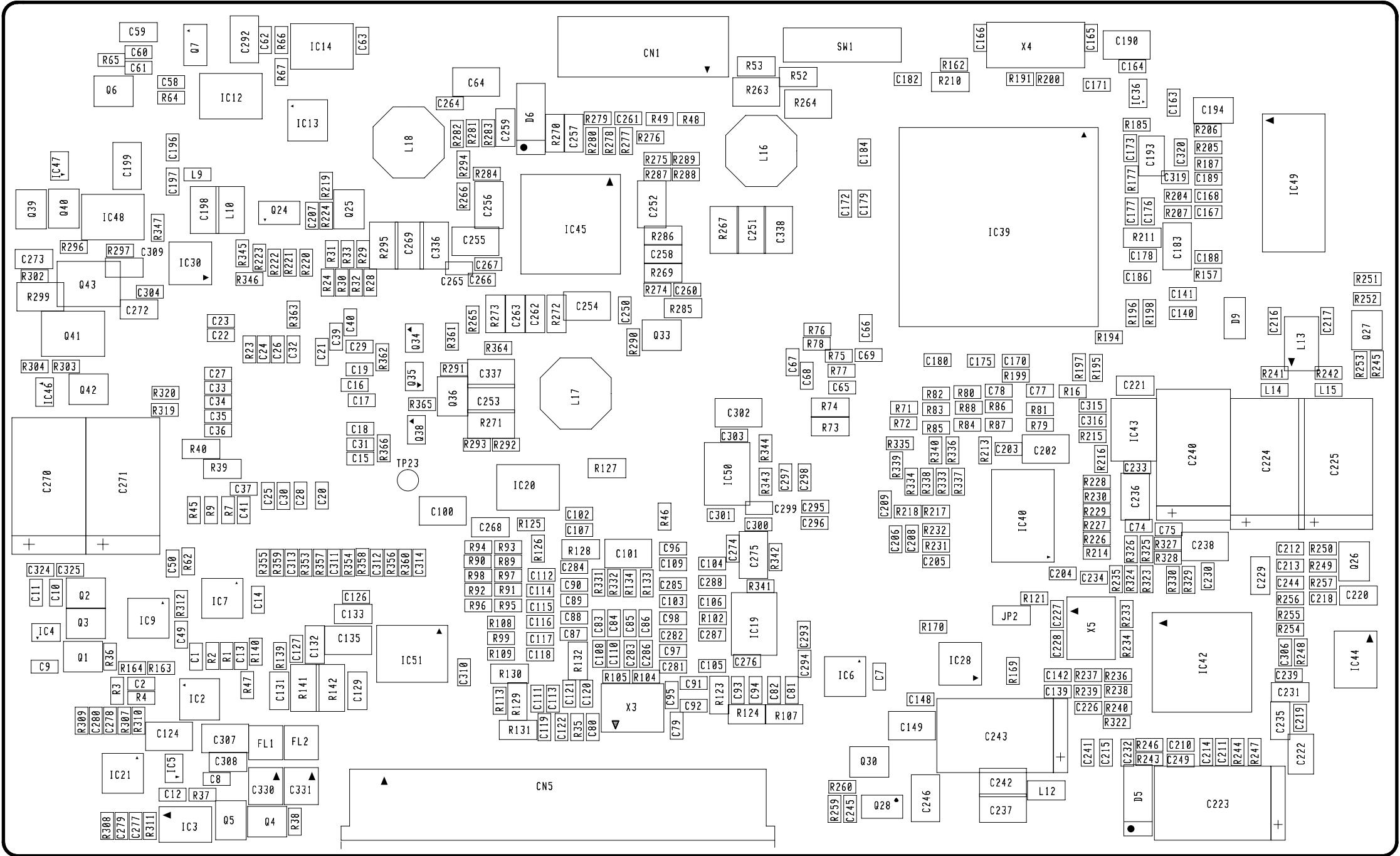
R 98			
R 140			
R 160			
R 99	ERJ6GEYJ222V	RESISTOR, 1/10W, 2.2K Ω	2
R 100			
R 102	ERJ2GEJ223X	RESISTOR, 1/16W, 22K Ω	1
R 122	ERJ2GEJ102X	RESISTOR, 1/16W, 1K Ω	5
R 123			
R 126			
R 127			
R 141			
R 143	ERJ2RKF75R0X	RESISTOR, 1/16W, 75 Ω	2
R 144			
R 145	ERJ2RKF49R9X	RESISTOR, 1/16W, 49.9 Ω	6
R 146			
R 147			
R 148			
R 149			
R 150			
X 1	H2D800400015	OSCILLATOR, 8MHz	1
SW LED PCB			
C 500	F1G1E103A062	CAPACITOR, 25V, 0.01 μ F	4
C 501			
C 502			
C 503			
C 505	F1J0J1060004	CAPACITOR, 6.3V, 10 μ F	1
C 506	F1G1A104A014	CAPACITOR, 10V, 0.1 μ F	1
CN 500	K1KA30BA0060	CONNECTOR	1
CN 501	K1MY04BA0166	CONNECTOR	1
CN 502	K1MN08BA0134	CONNECTOR	1
D 500	B0KB00000044	DIODE	2
D 501			
LD 500	B3ACB0000105	LED	1
LD 501	B3ABB0000033	LED	1
Q 500	B1CFGD000004	TRANSISTOR	1
Q 501	B1DHDC000028	TRANSISTOR	1
R 500	ERJ2GEJ104X	RESISTOR, 1/16W, 100K Ω	6
R 501			
R 502			
R 503			
R 504			
R 505			
SW 500	EVQPLDA15	SW	3
SW 501			
SW 502			
SW 503	EVQWHA50K	SW	1
AUDIO CON PCB			
C 300	F1G1H102A496	CAPACITOR, 50V, 1000pF	2
C 301			
C 302	F1G1H1010005	CAPACITOR, 50V, 100pF	2

C 303			
C 304	F1J0J1060004	CAPACITOR, 6.3V, 10µF	2
C 308			
C 305	F1G0J224A001	CAPACITOR, 6.3V, 0.22µF	1
C 306	F1G1A104A014	CAPACITOR, 10V, 0.1µF	4
C 309			
C 310			
C 311			
C 307	F1G1H471A496	CAPACITOR, 50V, 470pF	1
CN 300	K1MN10B00146	CONNECTOR	1
CN 301	K2HC103B0197	CONNECTOR, HEADPHONE/MICROPHONE	2
CN 302			
IC 300	C0ABBA000093	IC, OP AMP	1
L 300	J0MAB0000174	INDUCTOR	2
L 301			
R 300	ERJ2GEJ471X	RESISTOR, 1/16W, 470 Ω	1
R 301	ERJ2GEJ222X	RESISTOR, 1/16W, 2.2K Ω	2
R 302			
R 303	ERJ2GEJ683X	RESISTOR, 1/16W, 68K Ω	1
R 304	ERJ2GEJ473X	RESISTOR, 1/16W, 47K Ω	1
R 305	ERJ2RKF1002X	RESISTOR, 1/16W, 10K Ω	1
R 306	ERJ2RKF1003X	RESISTOR, 1/16W, 100K Ω	1
USB PCB			
C 400	F1G1A104A014	CAPACITOR, 10V, 0.1µF	1
C 401	EEFUD0J151ER	CAPACITOR, 6.3V, 150µF	1
CN 400	K1MN08BA0160	CONNECTOR	1
CN 401	K1FY104BA005	CONNECTOR, USB	1
D 400	B0KB00000044	DIODE	1
FL 400	J0MAB0000116	FILTER	1
L 400	J0JHC0000074	INDUCTOR	2
L 401			
DOCK CON PCB			
CN 600	K1MN16AA0018	CONNECTOR	1
CN 601	K1KA02AA0150	CONNECTOR	1
CN 602	K4AE16A00001	CONNECTOR, EXPANSION BUS	1
R 600	ERJ2GEJ473X	RESISTOR, 1/16W, 47K Ω	1
WLAN PCB			
C 1	F1J0J1060004	CAPACITOR, 6.3V, 10µF	5
C 2			
C 3			
C 8			
C 9			
C 4	F1G1A104A014	CAPACITOR, 10V, 0.1µF	3
C 5			
C 7			
C 10	F1G1H102A496	CAPACITOR, 50V, 1000pF	1
C 11	ECJ0EC1H0R5C	CAPACITOR, 50V, 0.5pF	1
C 12	ECJ0EC1H060D	CAPACITOR, 50V, 6pF	1
CN 1	K1MN50AA0018	CONNECTOR	1
CN 2	K1MN12AA0018	CONNECTOR	1

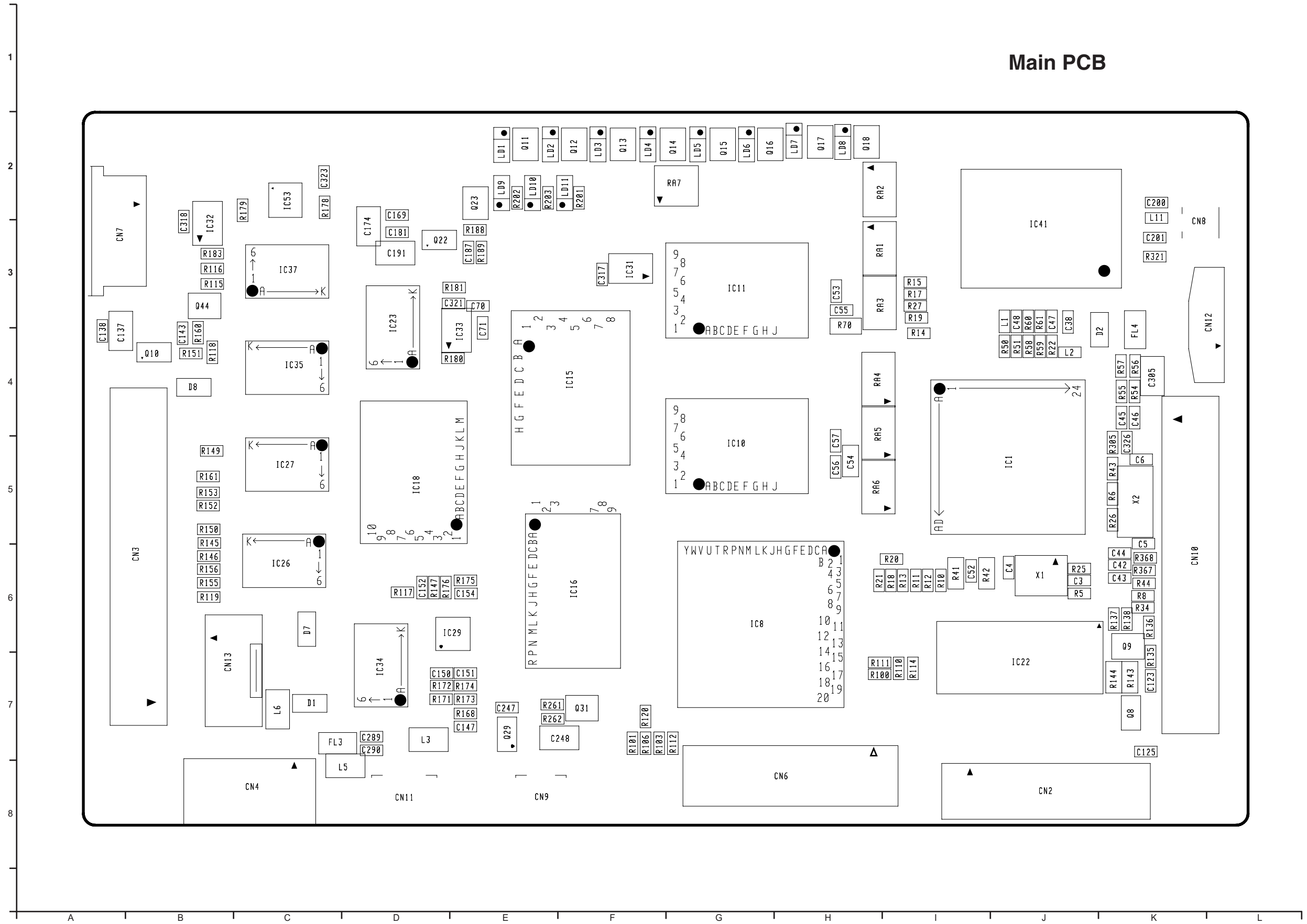
CN 3		K1QZA1AE0001	CONNECTOR	1
F 1		K5H5011A0015	FUSE, 5A	1
IC 1		N5HZD0000006	IC, LAN MODULE	1
IC 2		N5HZZ0000045	IC, BLUETOOTH MODULE	1
R 4		ERJ2GEJ104X	RESISTOR, 1/16W, 100K Ω	1
L 2		J0JDC0000045	INDUCTOR	2
L 4				
L 3		DDB5Z031I-L	INDUCTOR	1

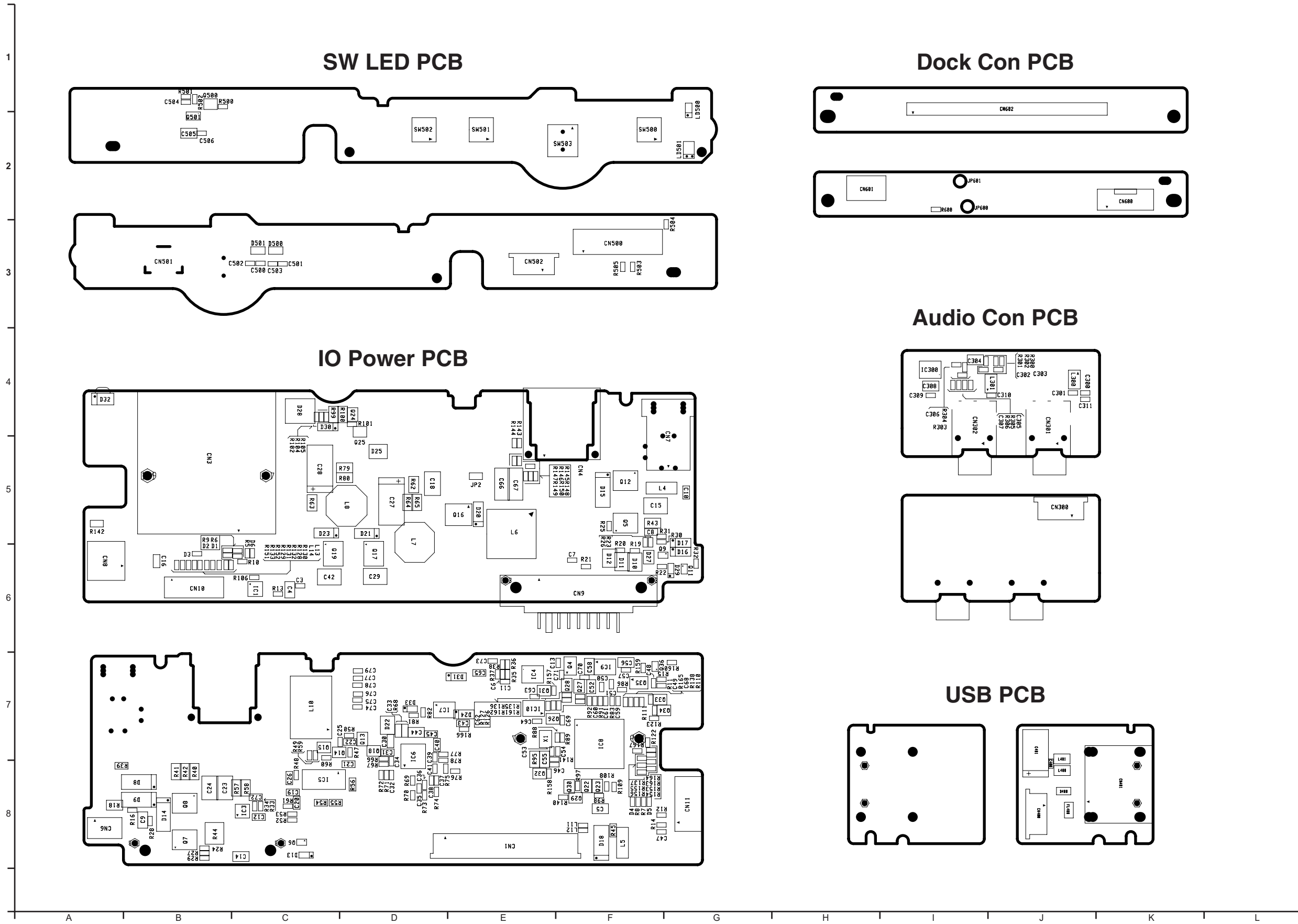
CF-08 Printed Circuit Board

Main PCB

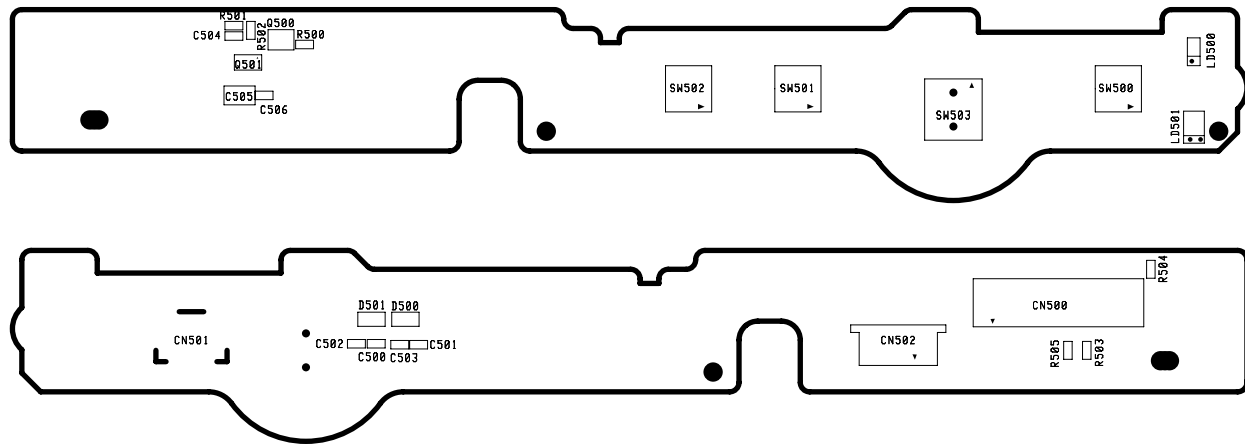


Main PCB

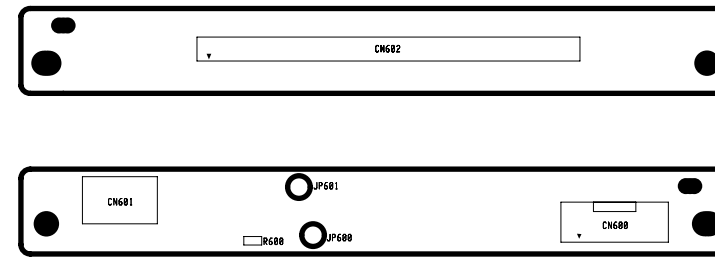




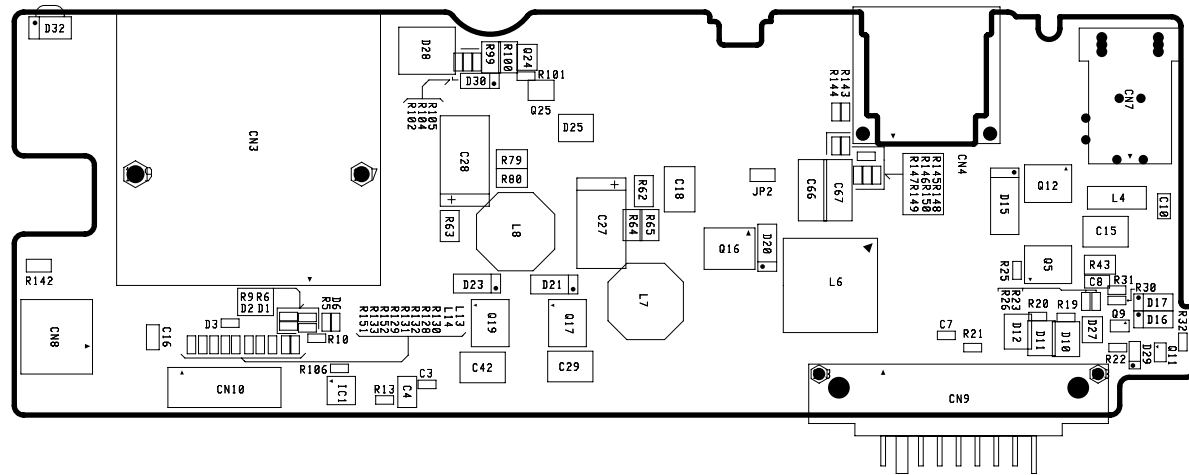
SW LED PCB



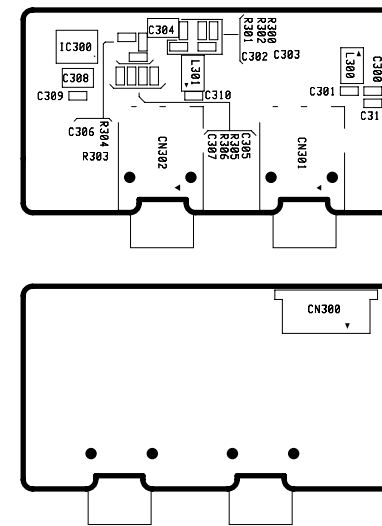
Dock Con PCB



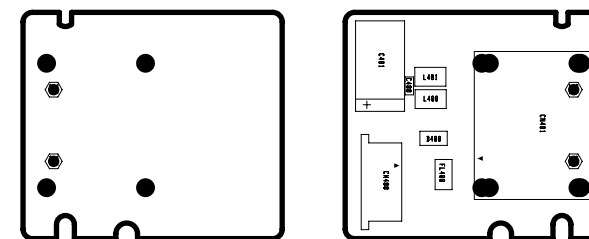
IO Power PCB



Audio Con PCB



USB PCB

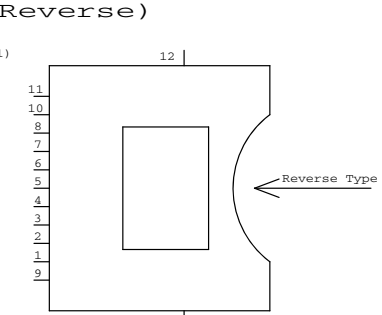
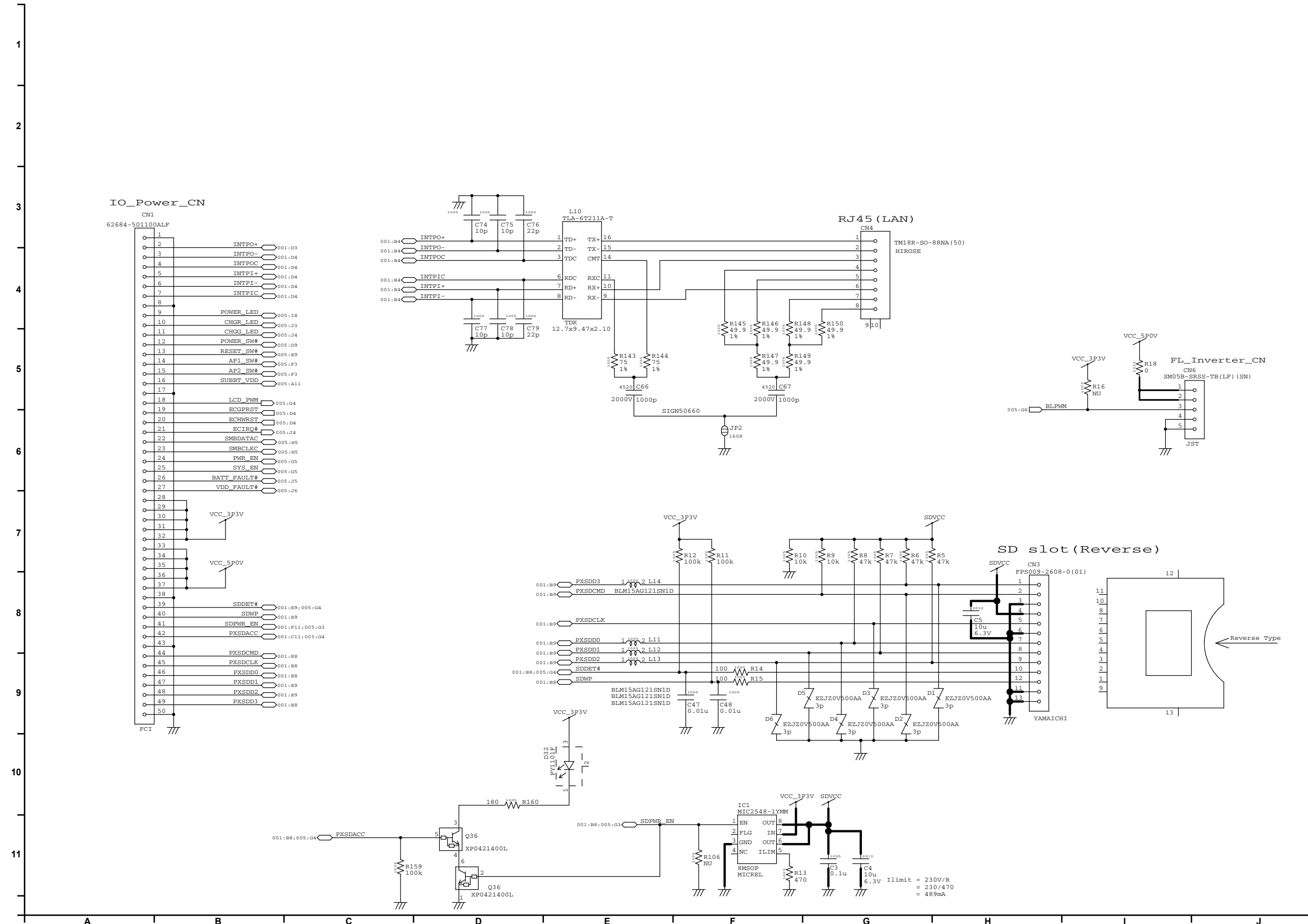


CF-08

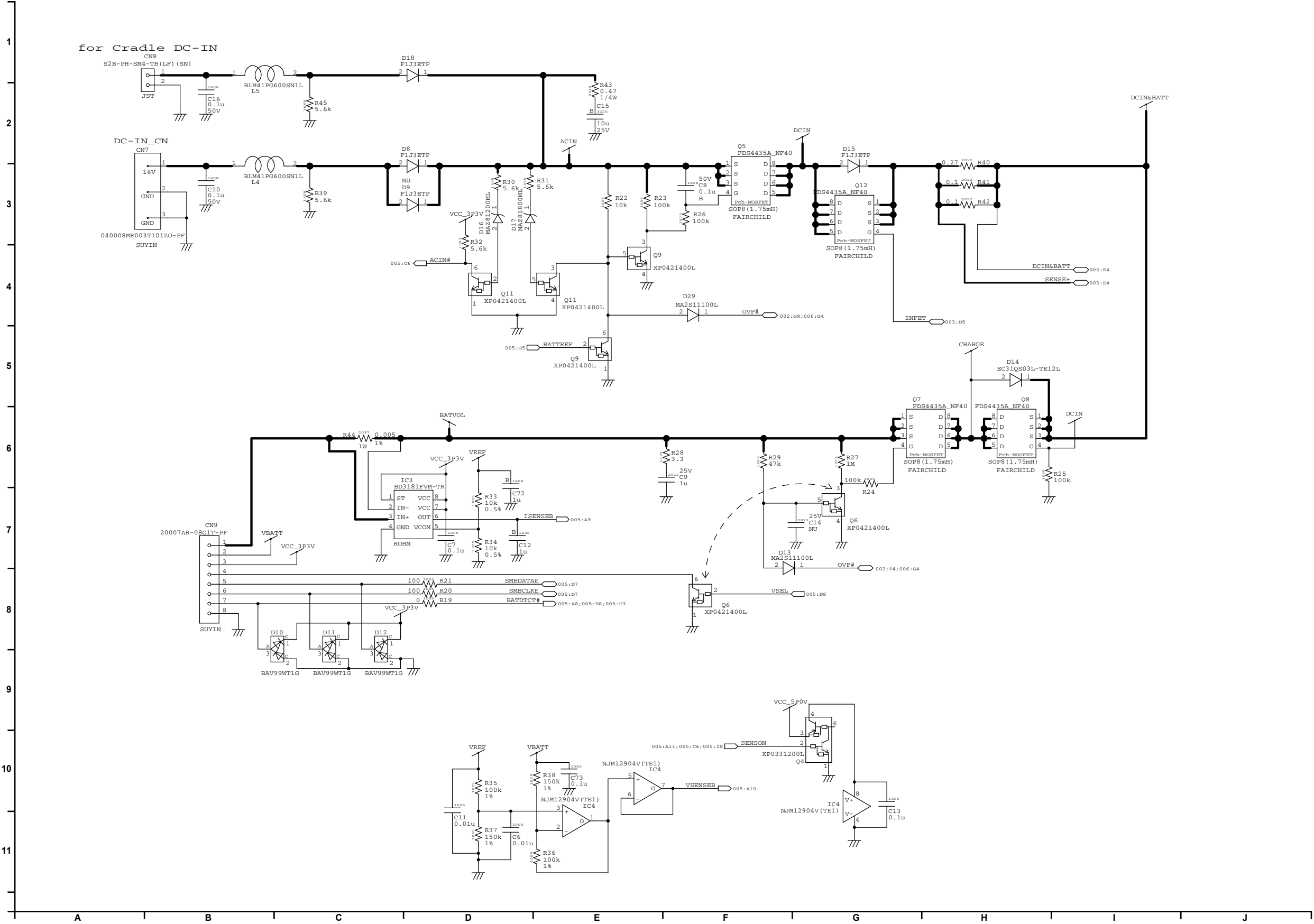
Schematic Diagram

IO Power 1 I/F CONNECTOR

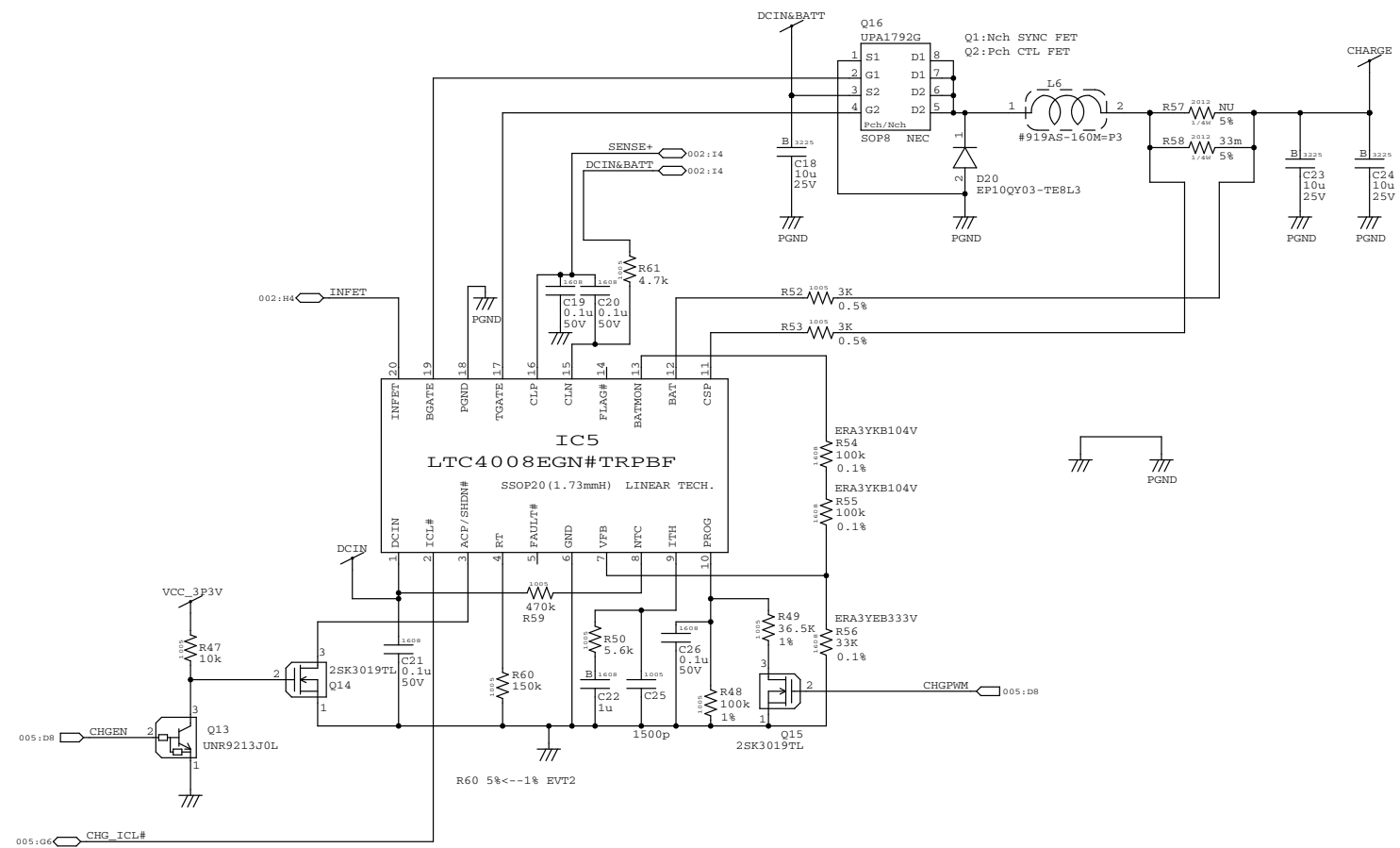
Note: All Schematic Diagrams are confidential.



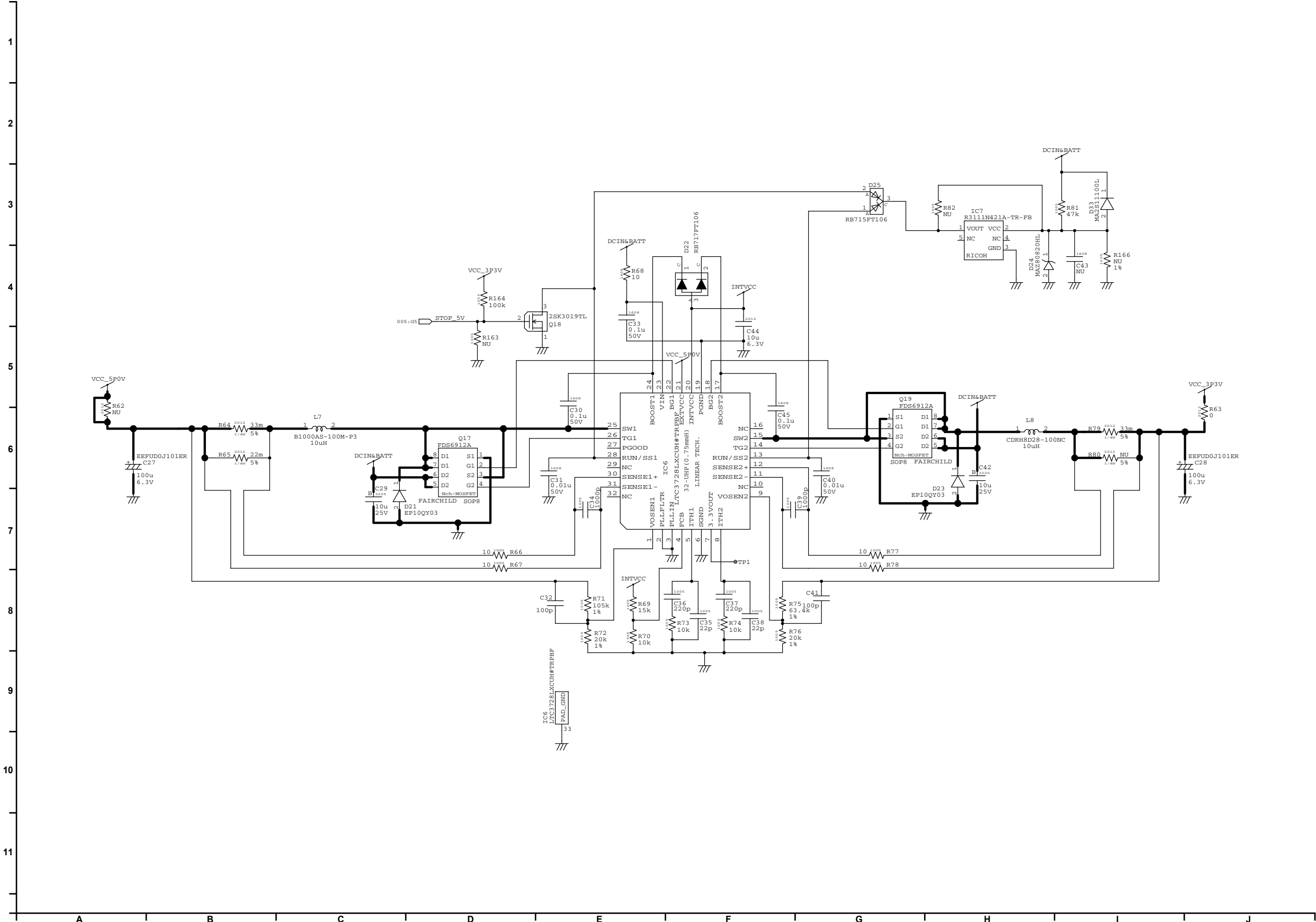
IO Power 2 DCIN/ BATTERY



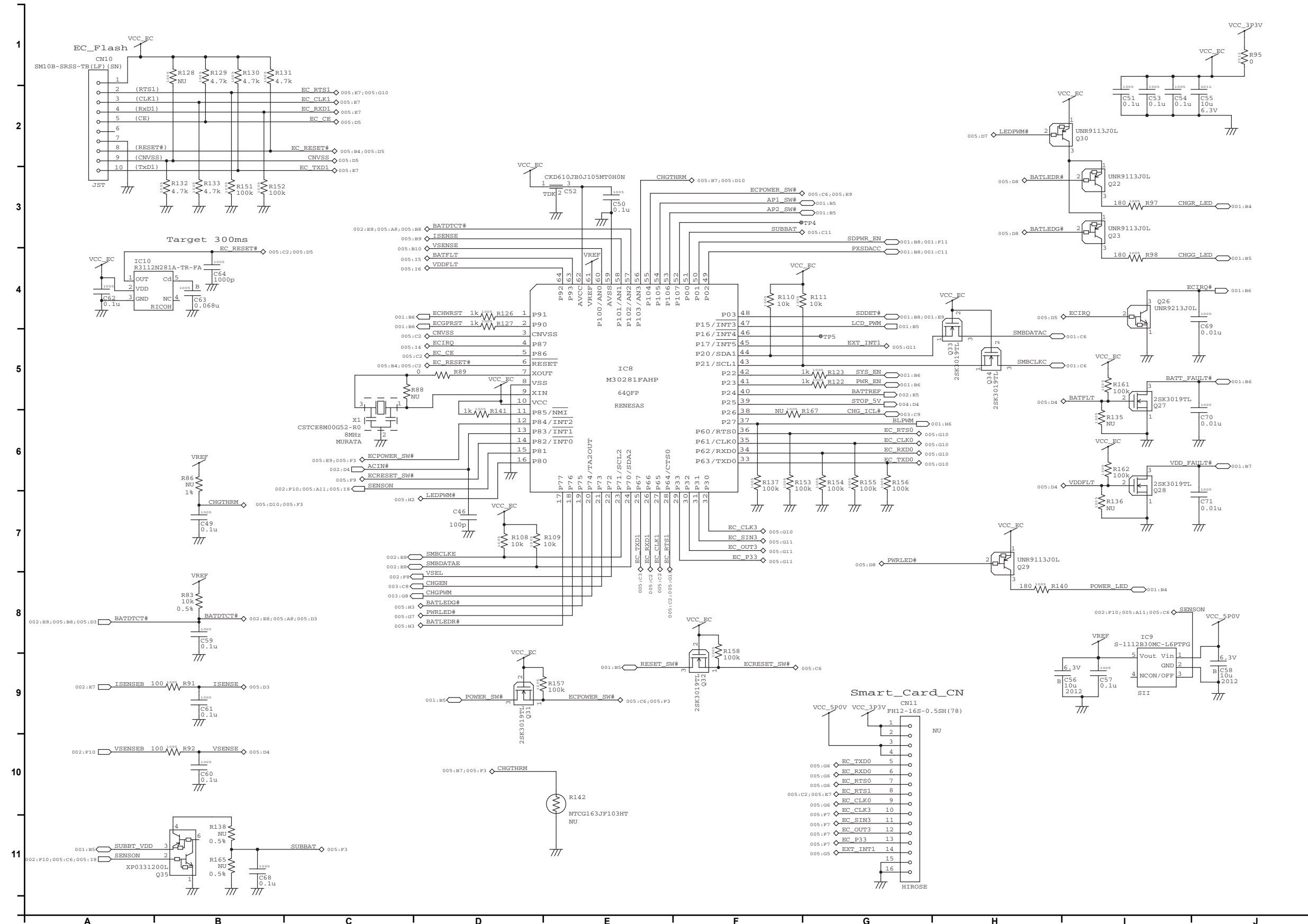
IO Power 3 CHARGER



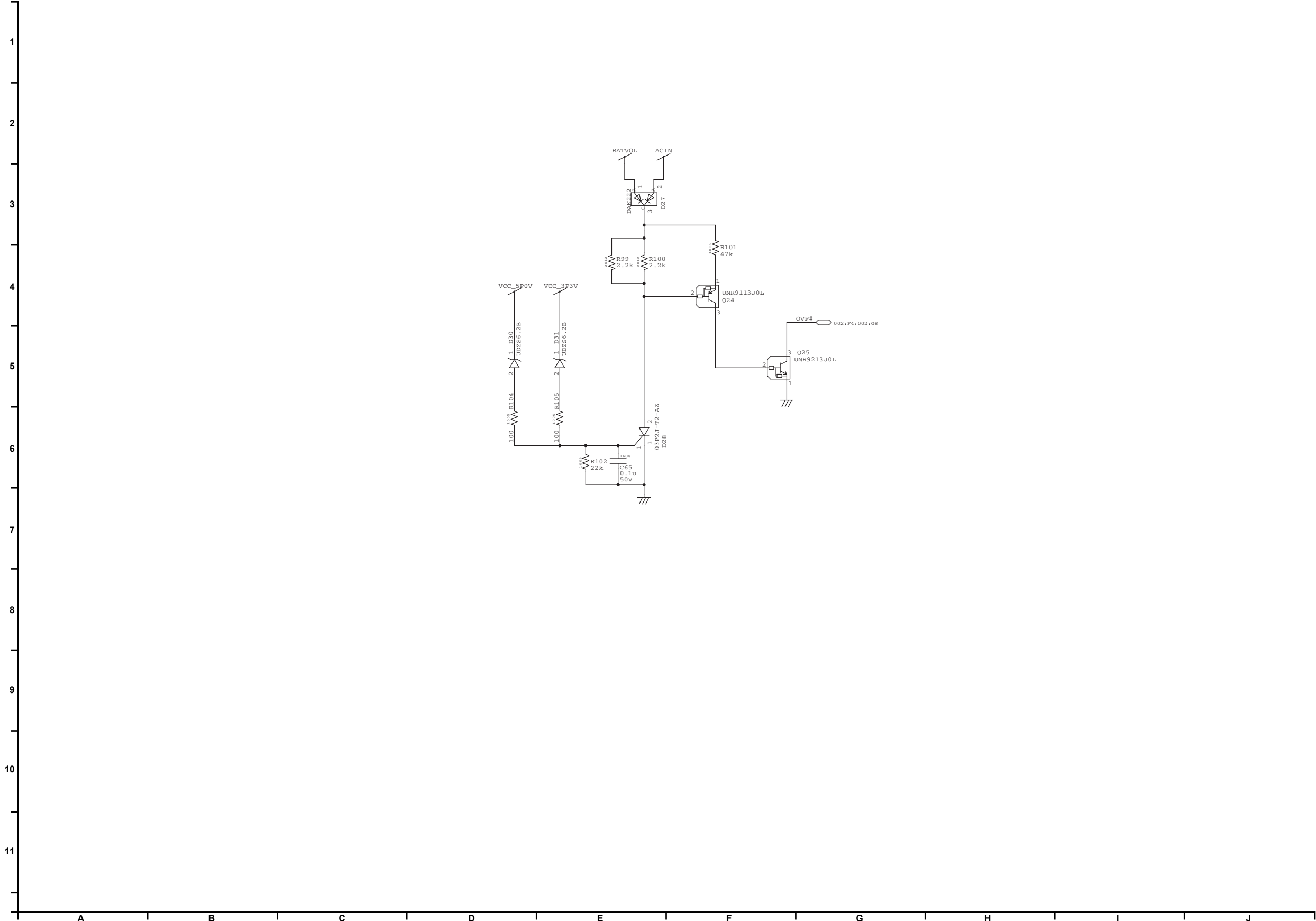
IO Power 4 VA3,VA5



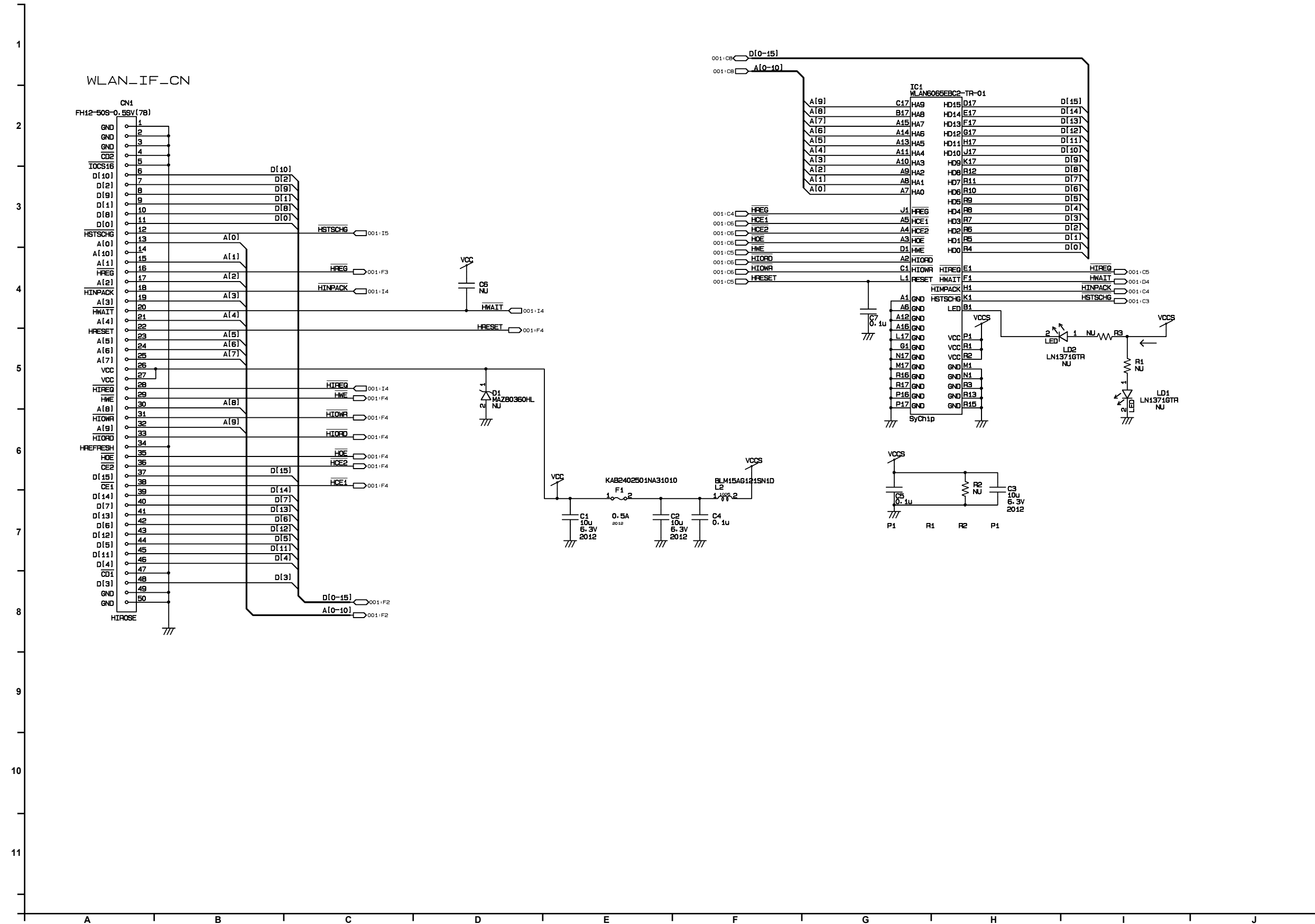
IO Power 5 EC



IO Power 6 OVERPROTECT



WLAN 1 SYCHIPWLAN/ BT BOARD



WLAN 2 SYCHIPWLAN/ BT BOARD

